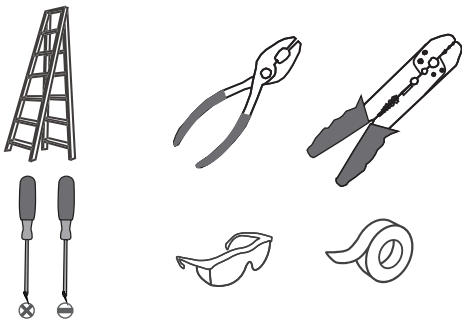
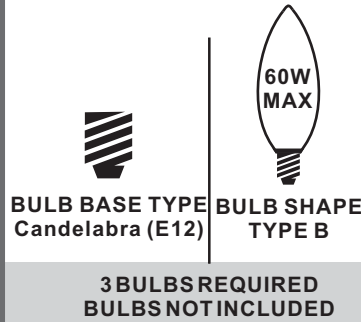


Tools Required



Light Source



Fixture Height Adjustable 14" to 52"

Warnings and Cautions

Turn off the electricity at the circuit breaker before installation. Consult a licensed electrician if in doubt about installation.

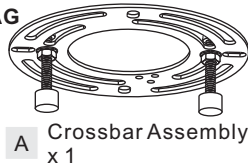
Turn off power to the fixture and allow the bulbs to cool before replacing.

Package Contents

Preparation: Identify and inspect all parts before beginning the installation.

Missing or damaged parts? Contact your original place of purchase.

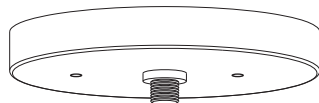
PARTS BAG



B Outlet Box Screw x 2



C Wire Connector x 3



D Ceiling Canopy x 1



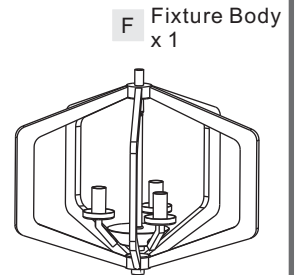
E Swivel x 1



G 6" L Rod x 2



H 12" L Rod x 2

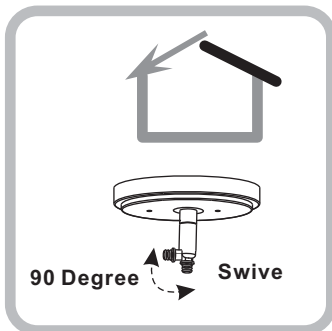


F Fixture Body x 1

Table of Contents

Crossbar Assembly	Downrod	Lanyard	Wiring	Ceiling Canopy	Bulb
STEP 1	STEP 2	STEP 3	STEP 4	STEP 5	STEP 6

STEP 1

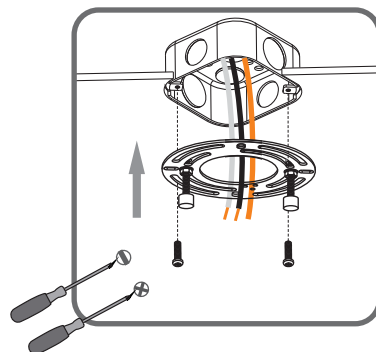


90 Degree Swive

For angled ceilings, Swivel opening towards wall.

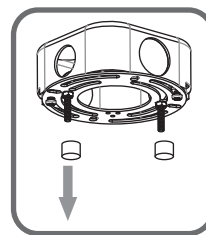
1

Step 1
Install crossbar assembly

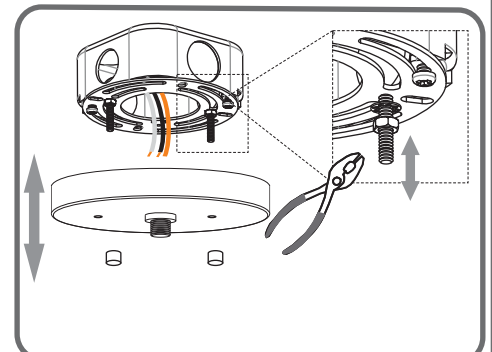


2

Step 2 - 3
Test fitting ceiling canopy to mounting screws



3

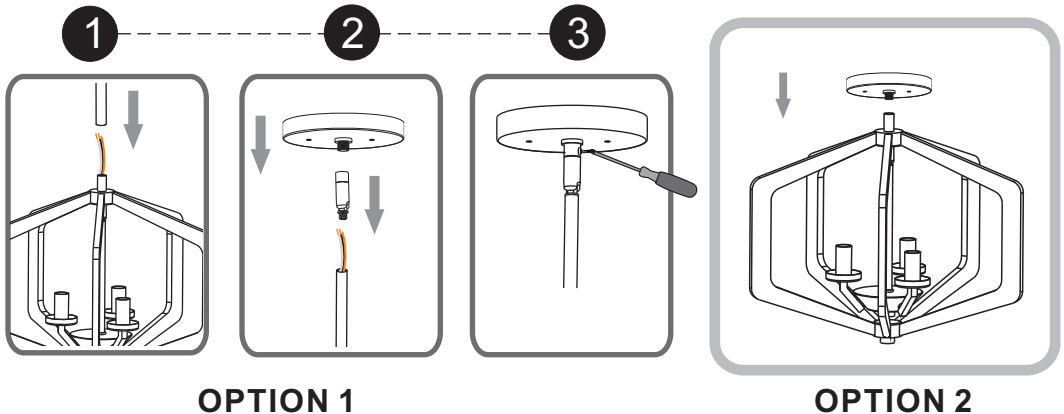


STEP 2

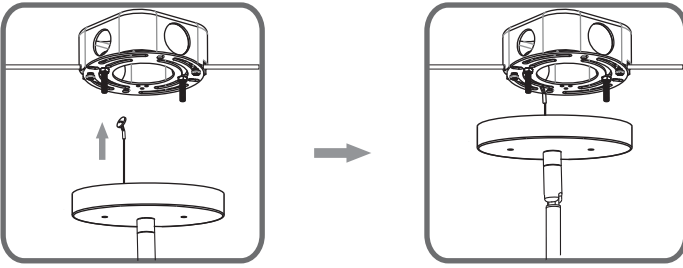
Optional Rods

8' ceiling:
(1) 6"L + (1) 12"L rods

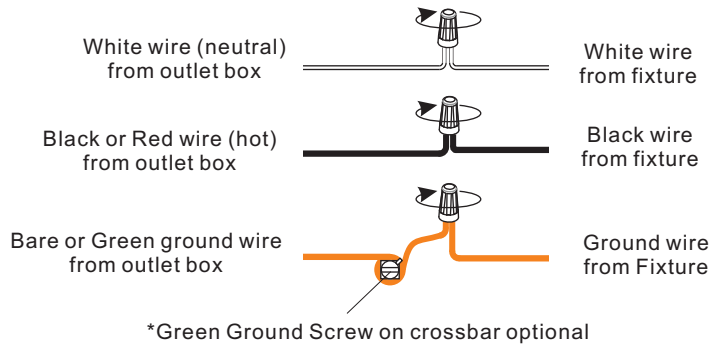
9' ceiling:
(1) 6"L + (2) 12"L rods



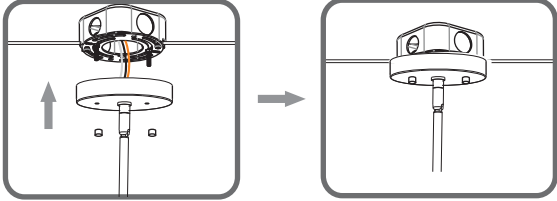
STEP 3



STEP 4



STEP 5



STEP 6

