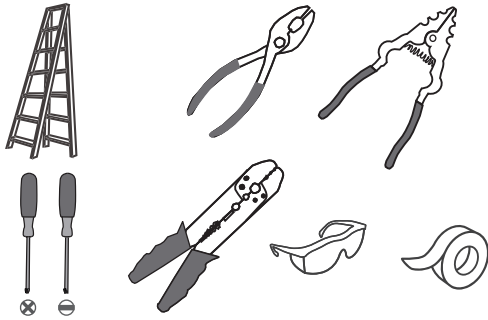
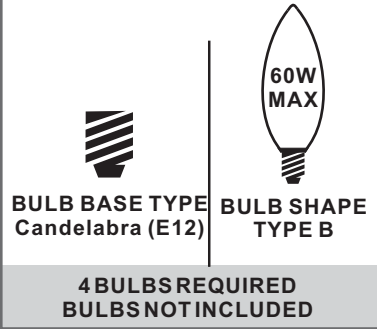


**Tools Required**



**Light Source**



**Fixture Height Adjustable  
29.5" to 77.5"**

**⚠ Warnings and Cautions**

Turn off the electricity at the circuit breaker before installation. Consult a licensed electrician if in doubt about installation.

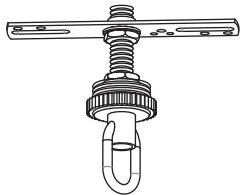
Turn off power to the fixture and allow the bulbs to cool before replacing.

**Package Contents**

**Preparation:** Identify and inspect all parts before beginning the installation.

Missing or damaged parts? Contact your original place of purchase.

**PARTS BAG**



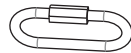
**A** Crossbar Assembly x 1



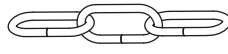
**B** Outlet Box Screw x 2



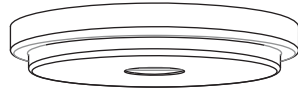
**C** Wire Connector x 3



**D** Quick Link x 2



**E** Fixture Chain x 1



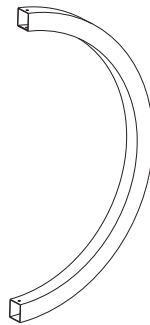
**F** Ceiling Canopy x 1



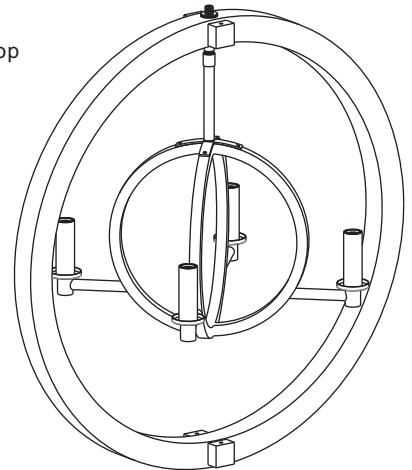
**G** Fixture Loop x 1



**H** Lock Screw x 4



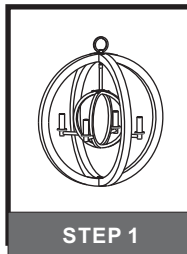
**J** Arm x 2



**I** Fixture Body x 1

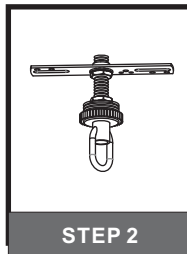
**Table of Contents**

**Arms & Fixture Loop**



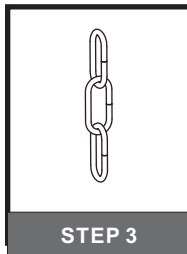
STEP 1

**Crossbar Assembly**



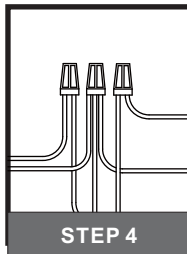
STEP 2

**Fixture Chain**



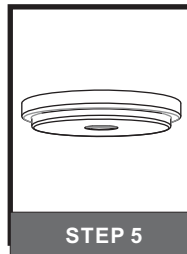
STEP 3

**Wiring**



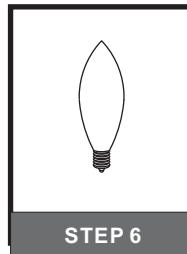
STEP 4

**Ceiling Canopy**



STEP 5

**Shade & Bulb**

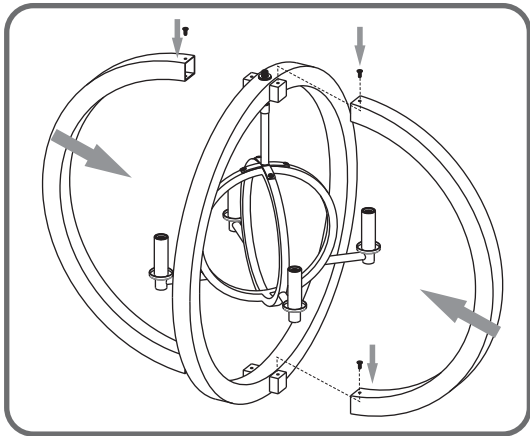


STEP 6

## STEP 1

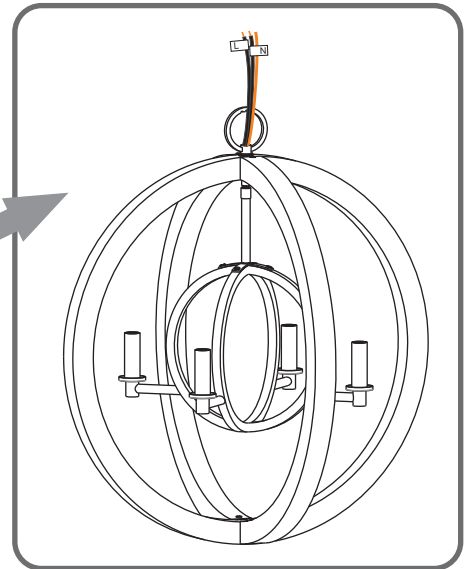
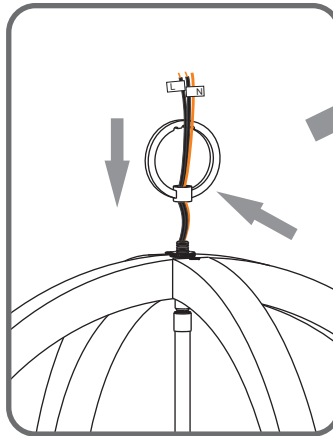
1

Unfold Arm



2

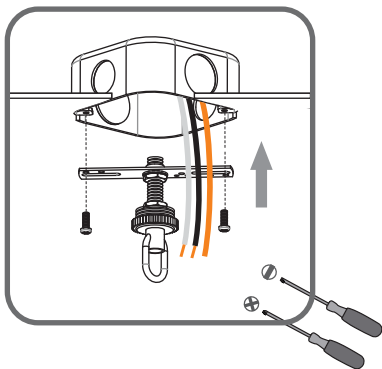
Install fixture loop



## STEP 2

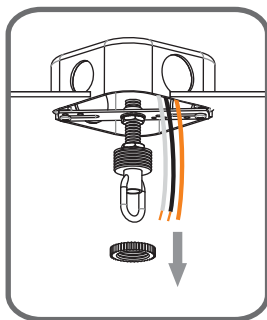
1

Step 1  
Install crossbar assembly

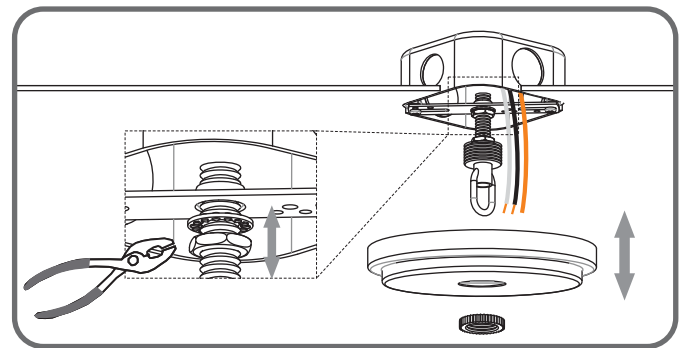


2

Step 2 - 3  
Test fitting ceiling canopy to nipple



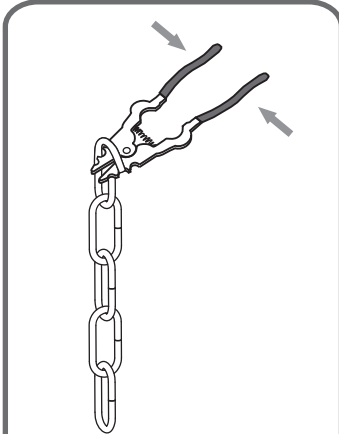
3



### STEP 3

1

Step 1  
Adjust fixture chain length

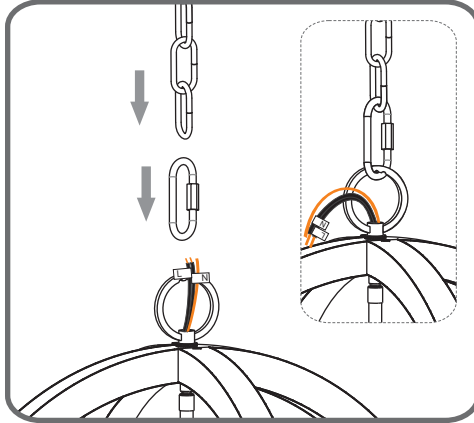


Suggested Chain Length:

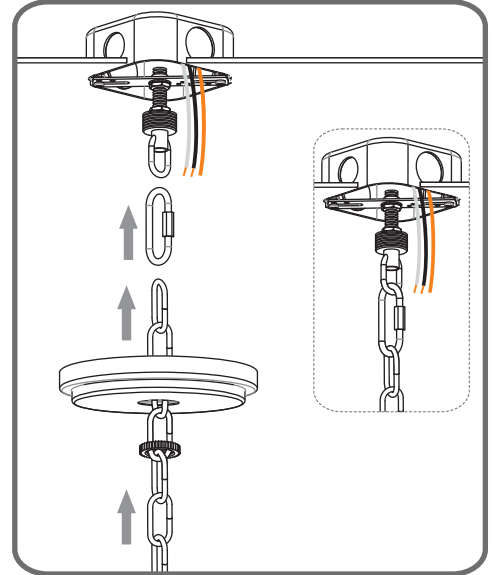
- 8' ceiling: 10" Chain
- 9' ceiling: 22" Chain
- 10' ceiling: 34" Chain

2

Step 2 - 3  
Install Fixture Chain



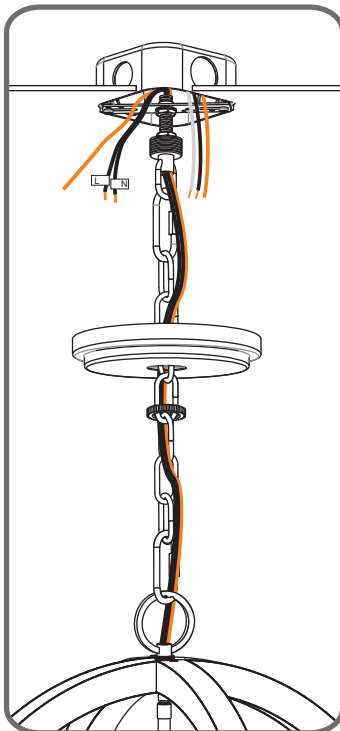
3



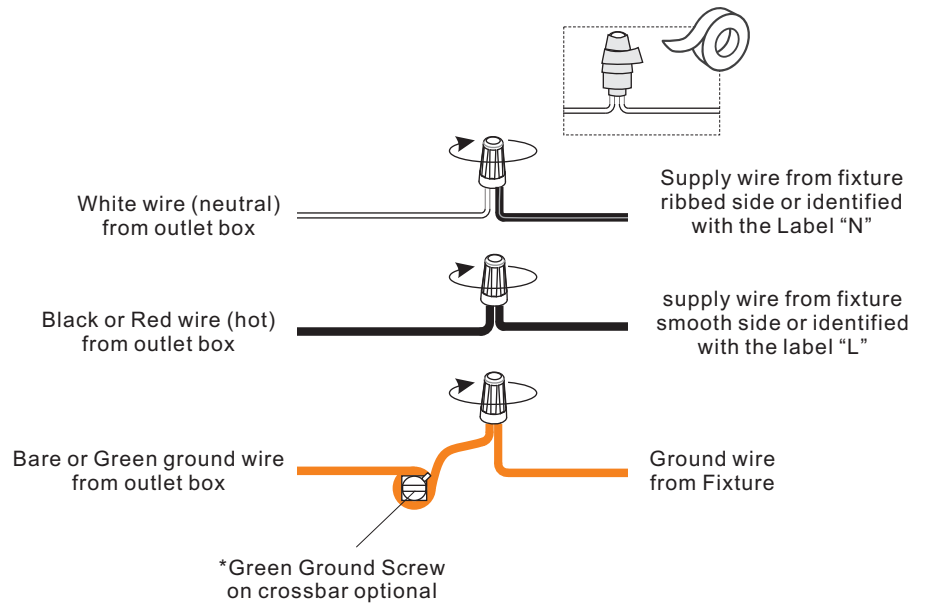
### STEP 4

1

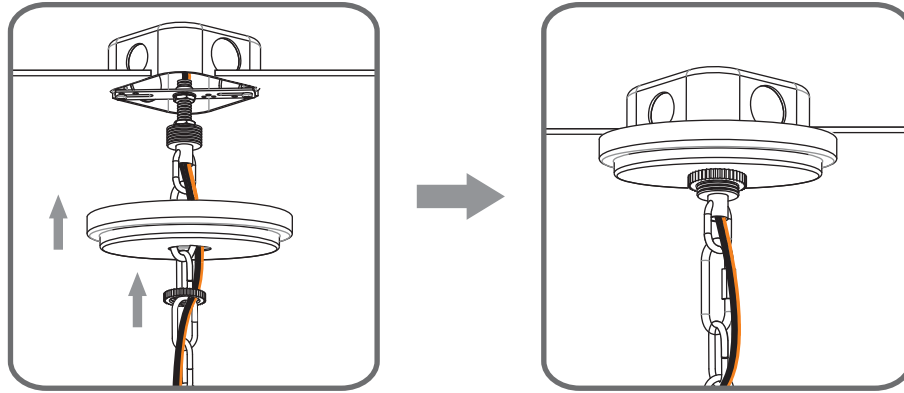
Step 1  
Feed the fixture wires through the loop



2



**STEP 5**



**STEP 6**

