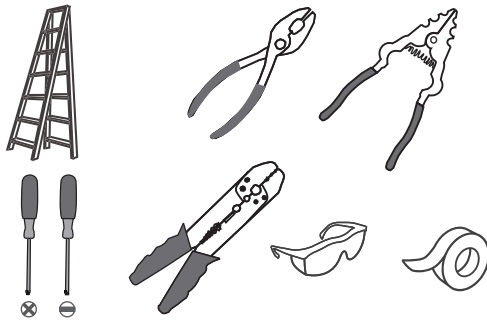
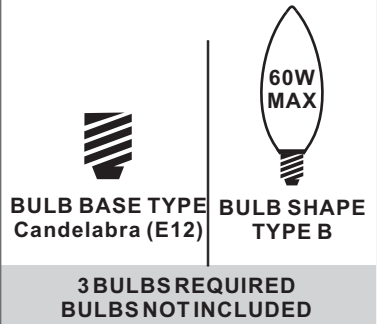


Tools Required



Light Source



Warnings and Cautions

Turn off the electricity at the circuit breaker before installation. Consult a licensed electrician if in doubt about installation.

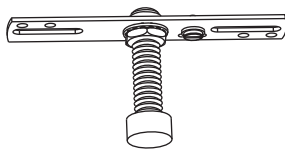
Turn off power to the fixture and allow the bulbs to cool before replacing.

Package Contents

Preparation: Identify and inspect all parts before beginning the installation.

Missing or damaged parts? Contact your original place of purchase.

PARTS BAG



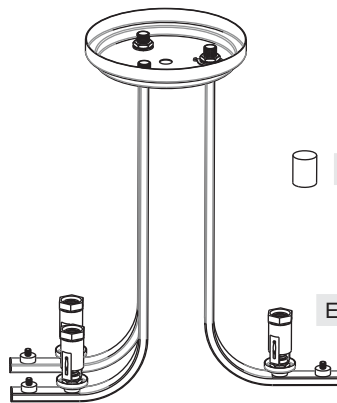
A Crossbar Assembly x 1



B Outlet Box Screw x 2

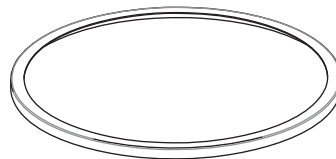


C Wire Connector x 3

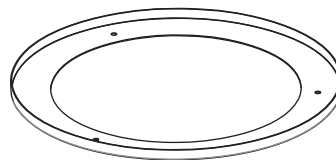


D Lock Ball x 3

E Fixture Body x 1

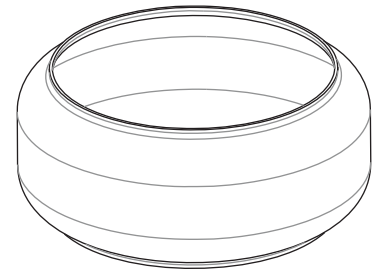


F Top Ring x 1



G Bottom Ring x 1

Note: Shade shape is for illustration purpose only. Your shade shape may vary from illustration.



H Shade (Varies according to style purchased) x 1

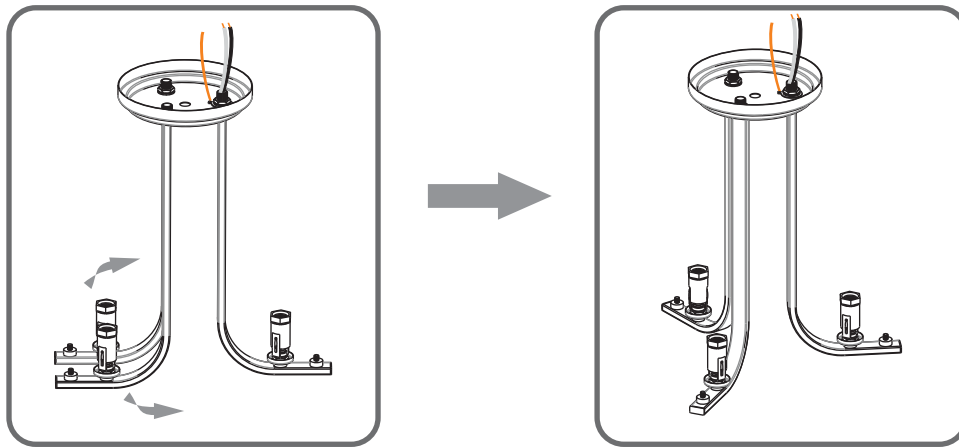


I Candle Cover x 3

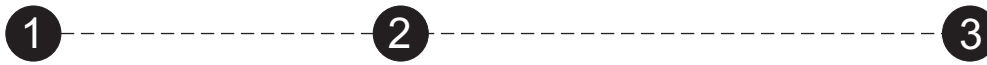
Table of Contents

Unfold Arms	Crossbar Assembly	Bottom Ring	Shade & Top Ring	Wiring	Ceiling Canopy	Candle Covers & Bulbs
STEP 1	STEP 2	STEP 3	STEP 4	STEP 5	STEP 6	STEP 7

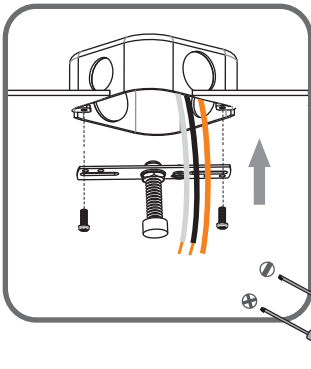
STEP 1



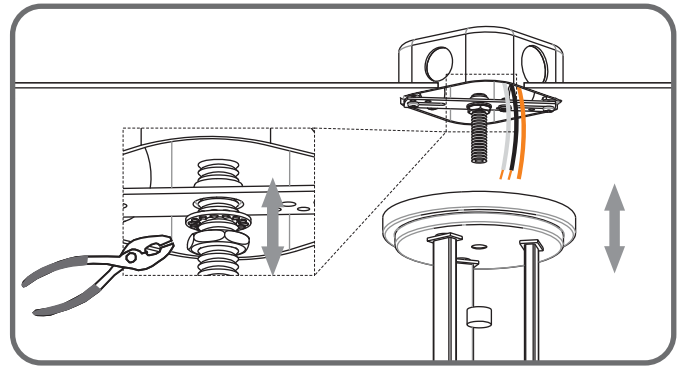
STEP 2



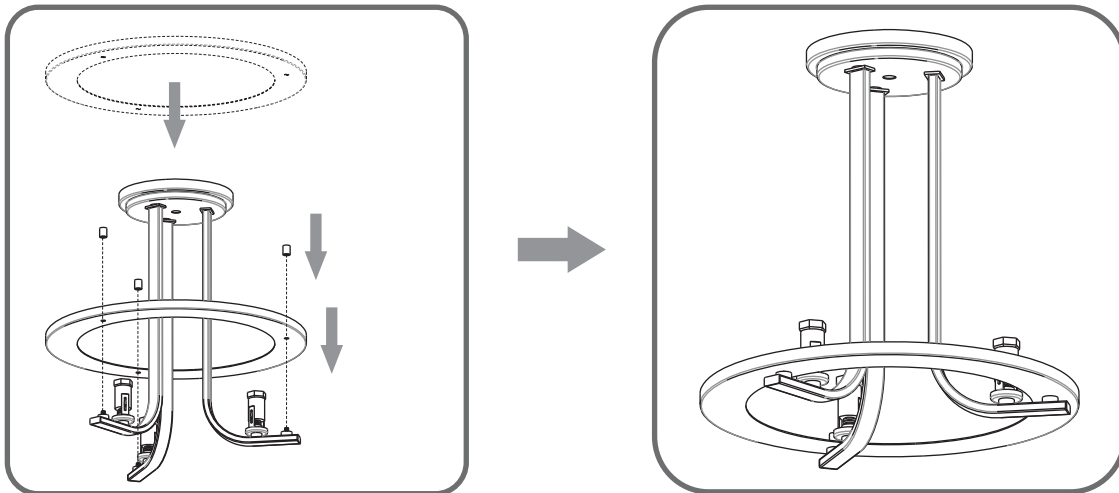
1
Step 1
Install crossbar assembly



2
Step 2 - 3
Test fitting ceiling canopy to nipple

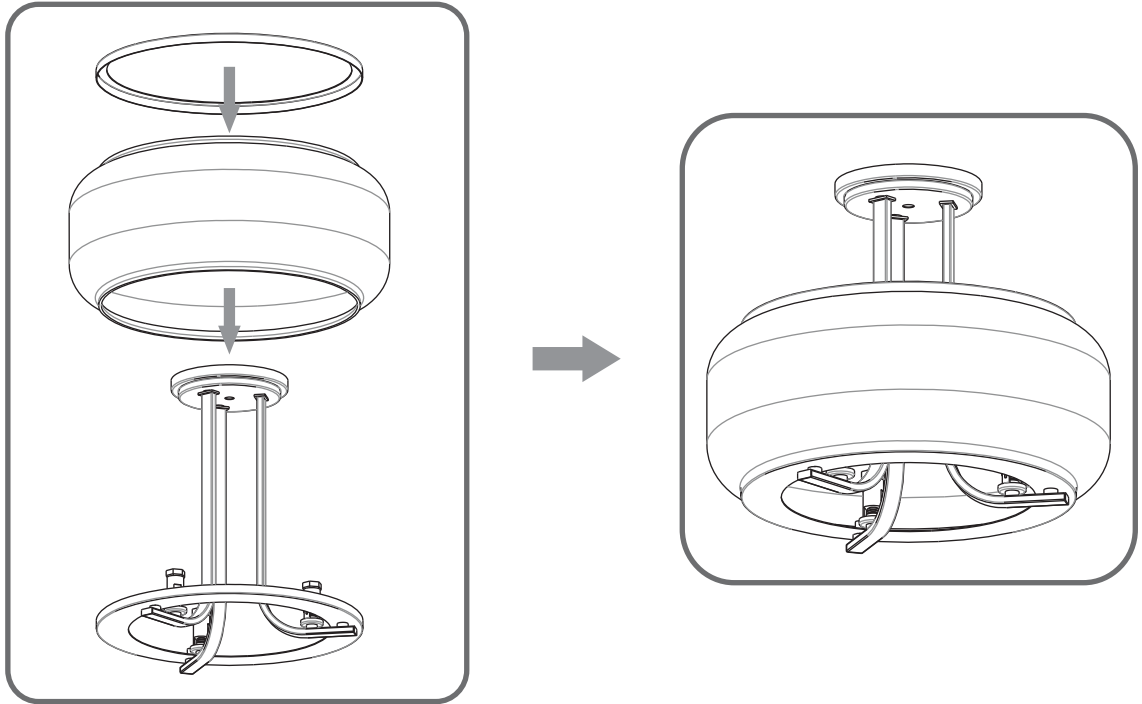


STEP 3

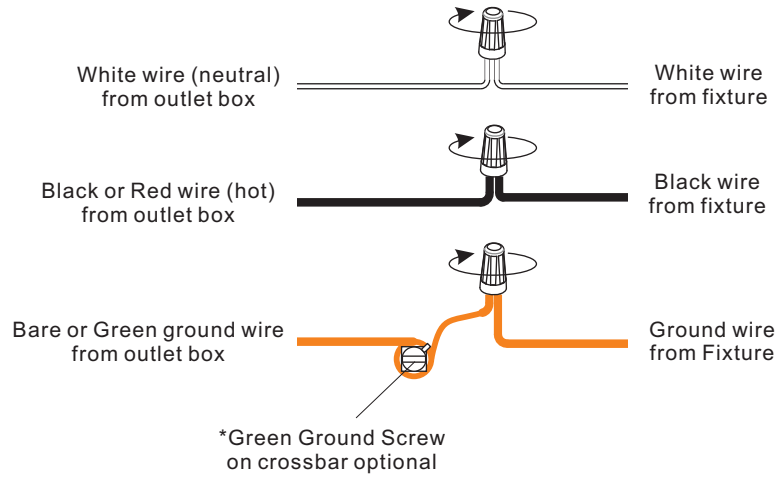


STEP 4

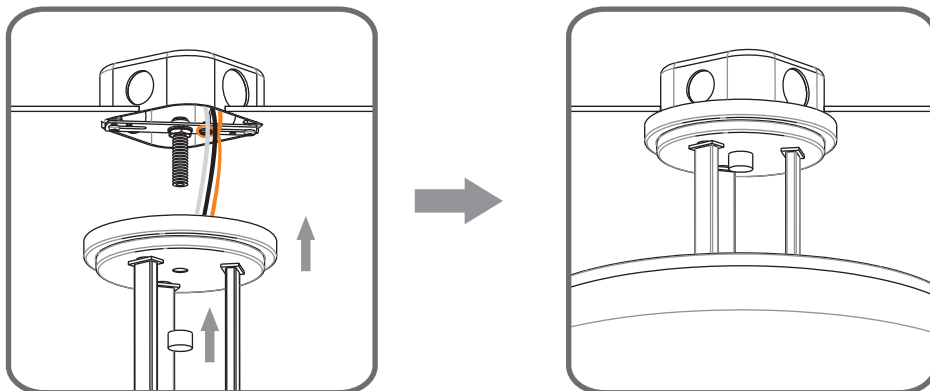
Note: Shade shape is for illustration purpose only. Your shade shape may vary from illustration.



STEP 5



STEP 6



STEP 7

