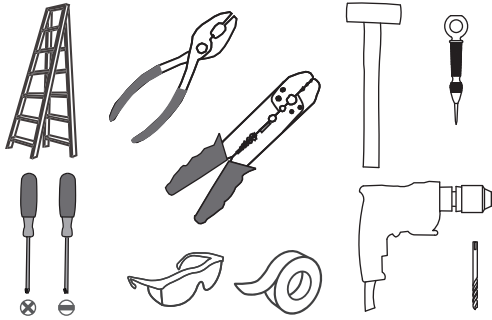
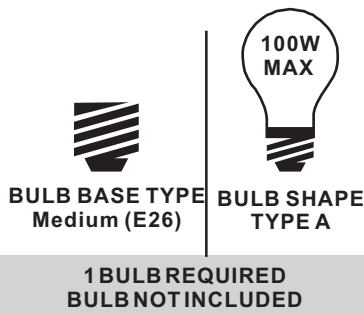


**Tools Required**



**Light Source**



**Warnings and Cautions**

Turn off the electricity at the circuit breaker before installation. Consult a licensed electrician if in doubt about installation.



Turn off power to the fixture and allow the bulbs to cool before replacing.

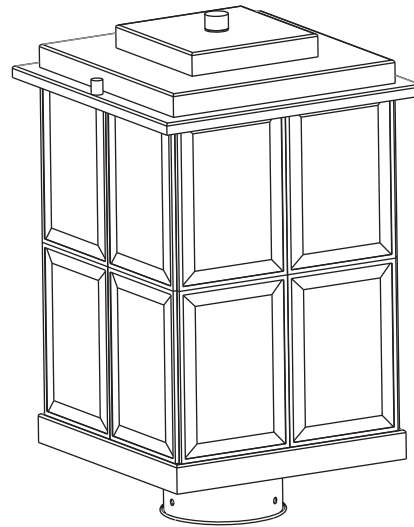
**Package Contents**

**Preparation:** Identify and inspect all parts before beginning the installation.

Missing or damaged parts? Contact your original place of purchase.

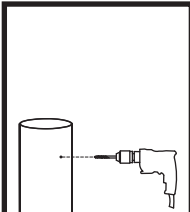
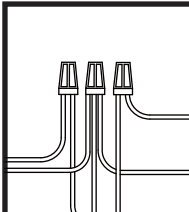
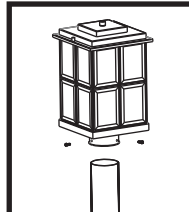
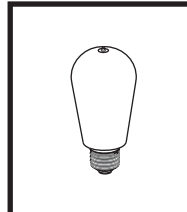
**PARTS BAG**

-  **A** Mounting Screw x 3
-  **B** Wire Connector x 3



**C** Fixture Body x 1

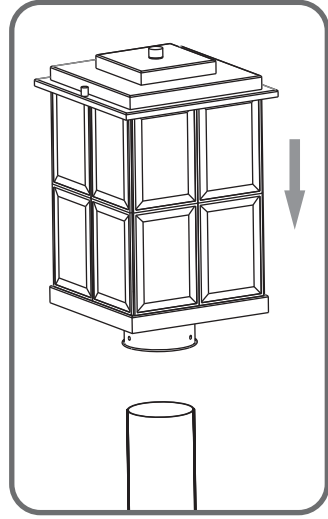
**Table of Contents**

Drill Holes	Wiring	Fixture Body	Bulb
			
STEP 1	STEP 2	STEP 3	STEP 4

# STEP 1

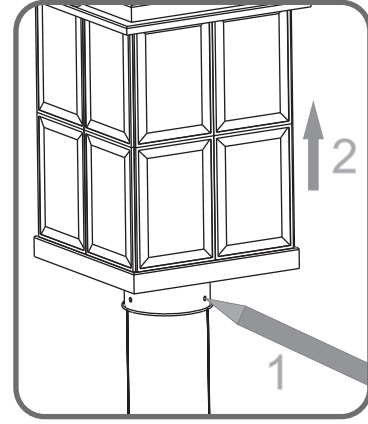
1

Step 1  
Place Post Fitter to Post

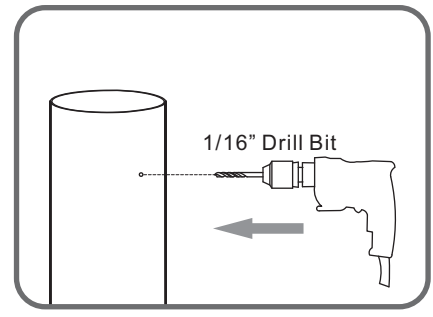
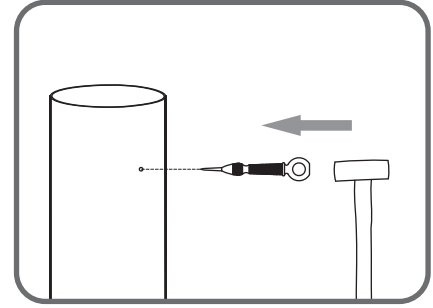


2

Step 2-3  
Mark Mounting Holes Location on Post



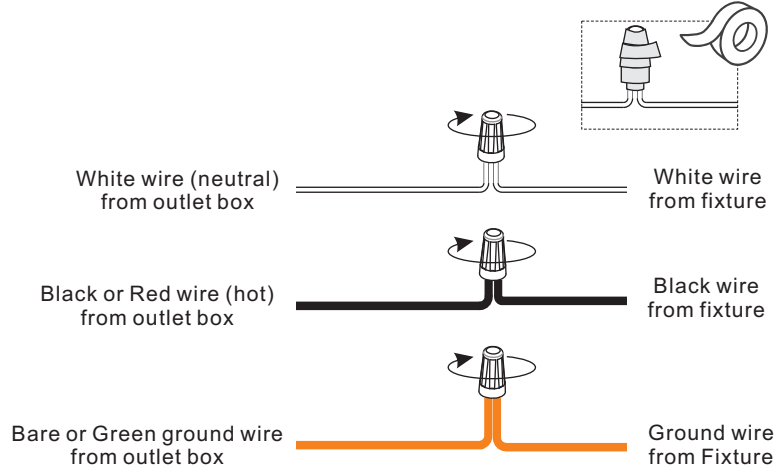
3



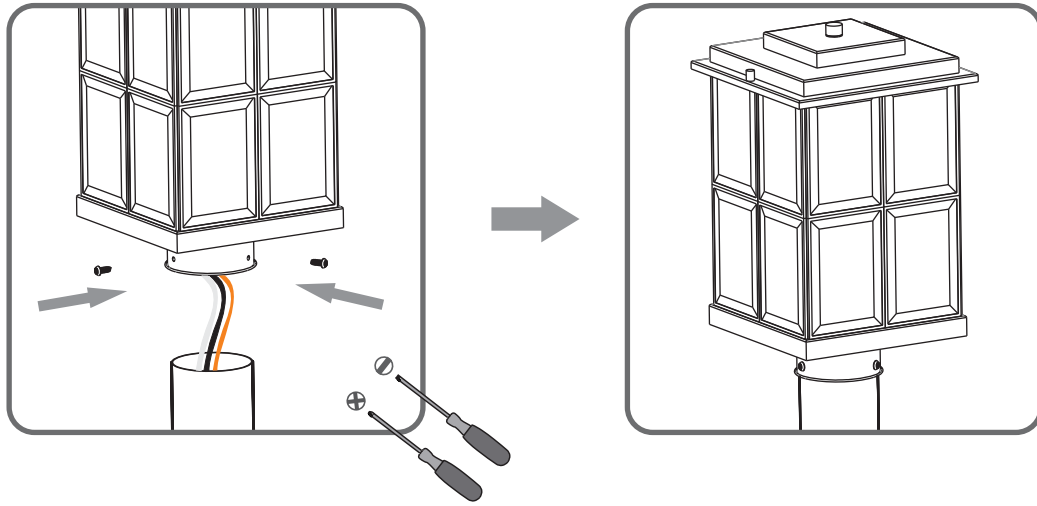
Step 4  
Drill Holes

4

# STEP 2



**STEP 3**



**STEP 4**

