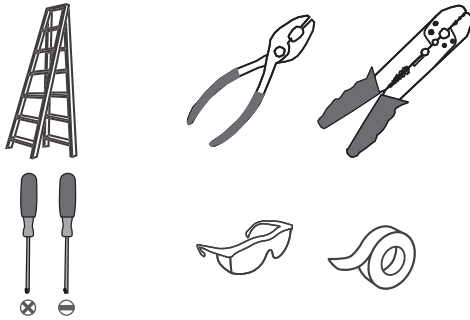
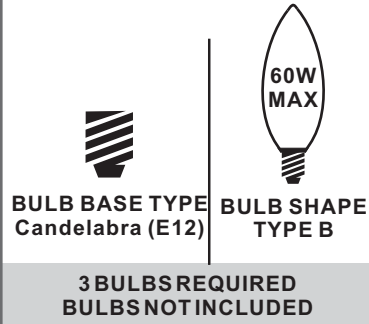


Tools Required



Light Source



Warnings and Cautions

Turn off the electricity at the circuit breaker before installation. Consult a licensed electrician if in doubt about installation.

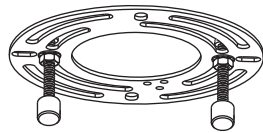
Turn off power to the fixture and allow the bulbs to cool before replacing.

Package Contents

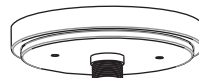
Preparation: Identify and inspect all parts before beginning the installation.

Missing or damaged parts? Contact your original place of purchase.

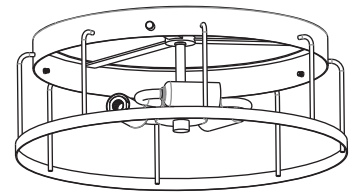
PARTS BAG



- A Crossbar Assembly x 1
- B Outlet Box Screw x 2
- C Wire Connector x 3



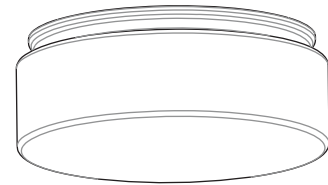
D Ceiling Canopy x 1



F Fixture Body x 1



E Rod x 1

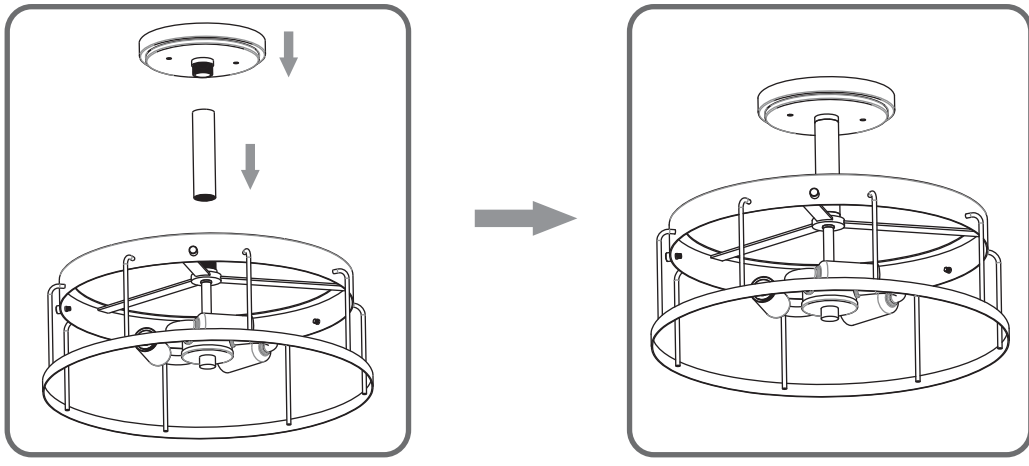


G Shade x 1

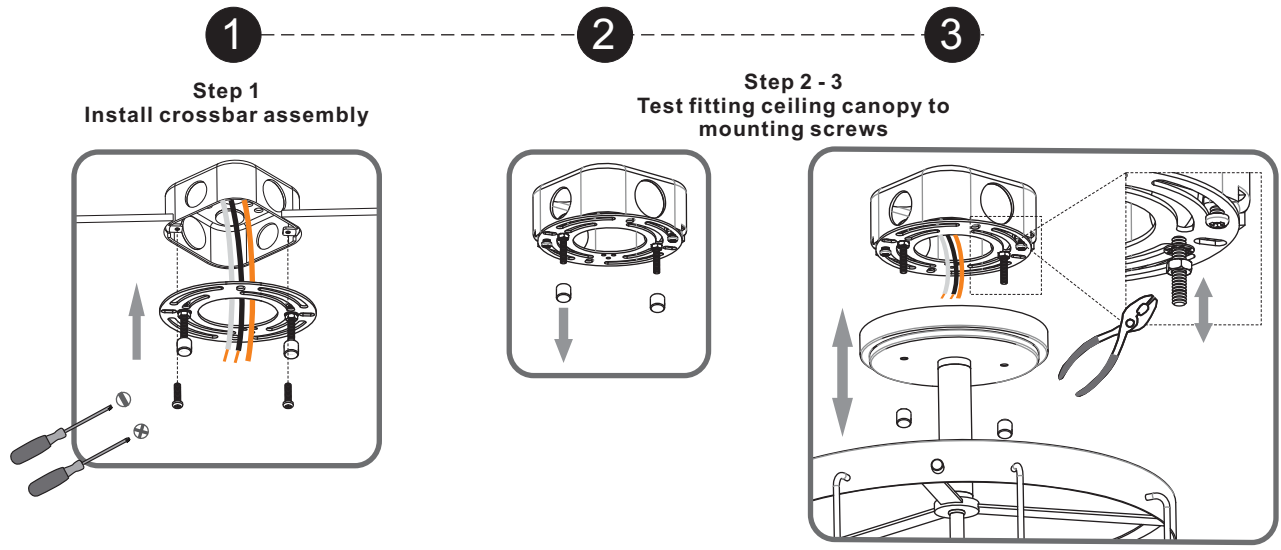
Table of Contents

Rod & Fixture Body	Crossbar Assembly	Wiring	Ceiling Canopy	Shade	Bulbs
STEP 1	STEP 2	STEP 3	STEP 4	STEP 5	STEP 6

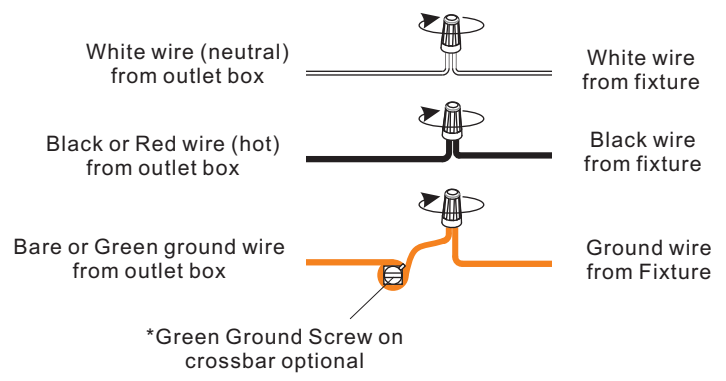
STEP 1



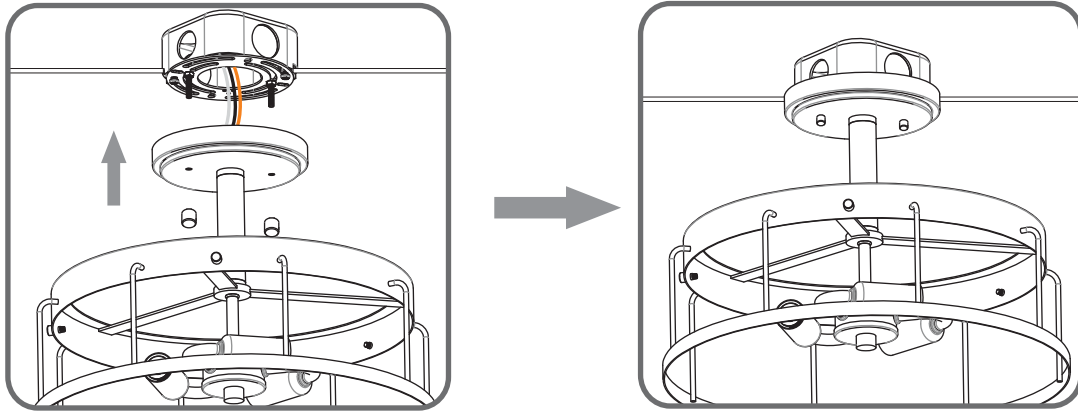
STEP 2



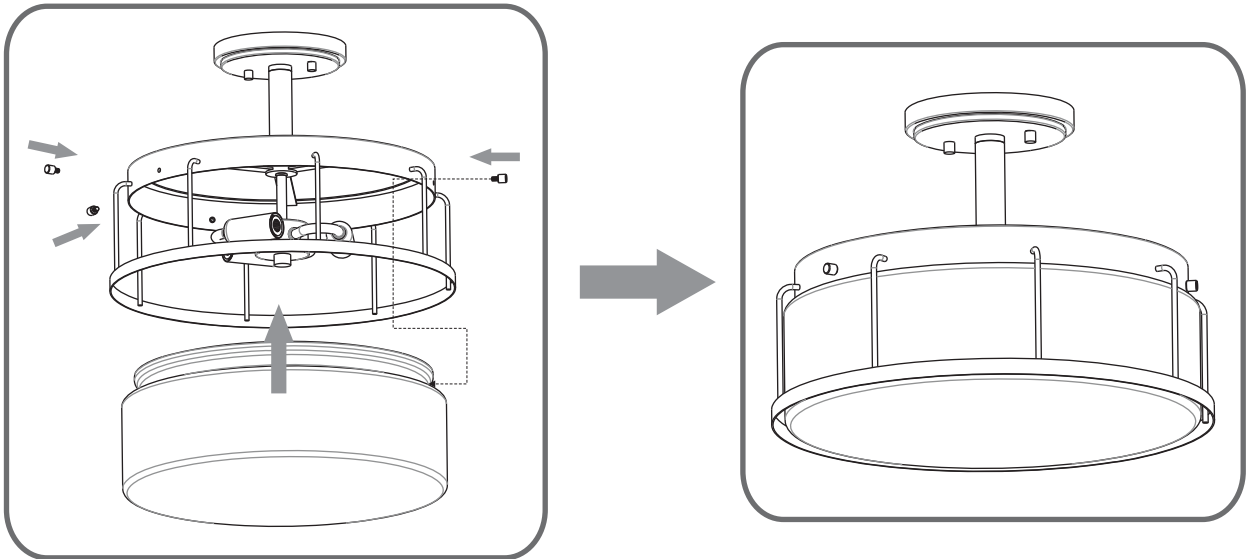
STEP 3



STEP 4



STEP 5



STEP 6

