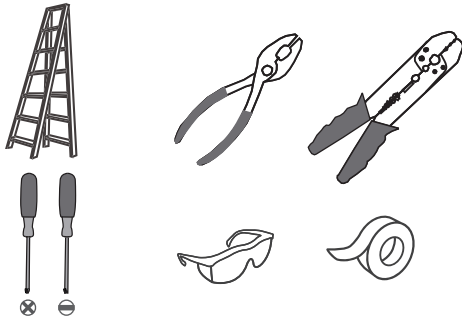
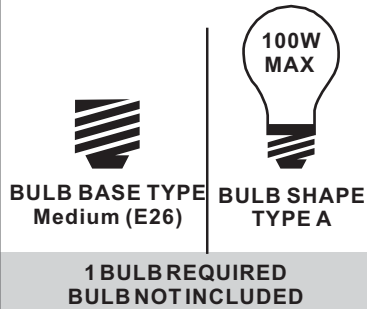


Tools Required



Light Source



**Fixture Height Adjustable
13.25" to 49.25"**

Warnings and Cautions

Turn off the electricity at the circuit breaker before installation. Consult a licensed electrician if in doubt about installation.

Turn off power to the fixture and allow the bulbs to cool before replacing.

Package Contents

Preparation: Identify and inspect all parts before beginning the installation.

Missing or damaged parts? Contact your original place of purchase.

PARTS BAG

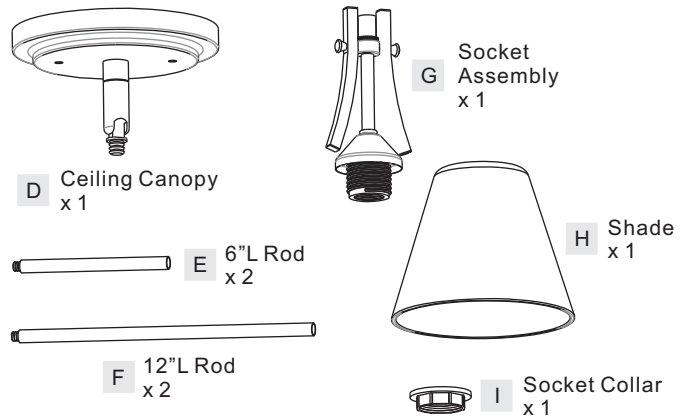
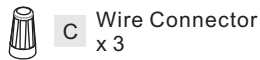
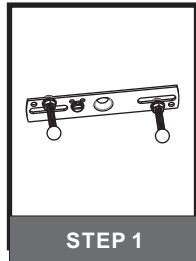
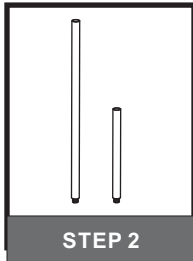


Table of Contents

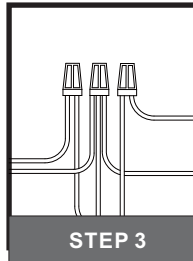
Crossbar Assembly



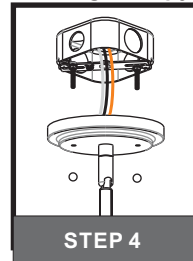
Downrod



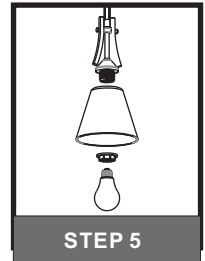
Wiring



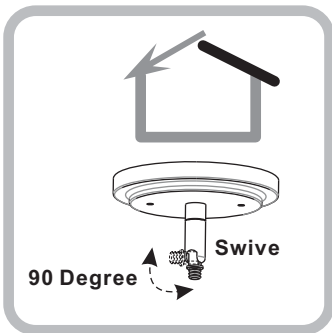
Ceiling Canopy



Shade & Bulb



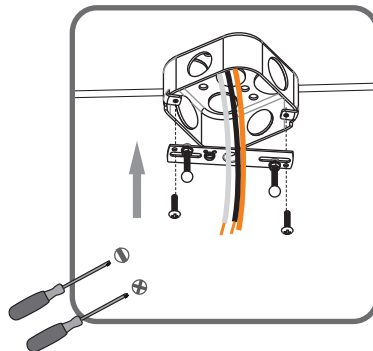
STEP 1



For angled ceilings, Swivel opening towards wall.

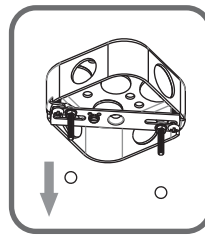
1

Step 1
Install crossbar assembly

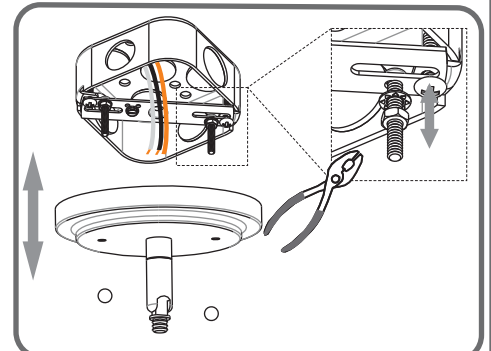


2

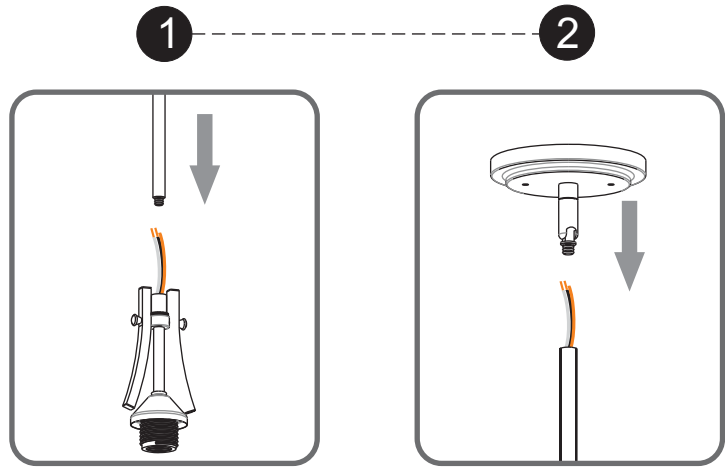
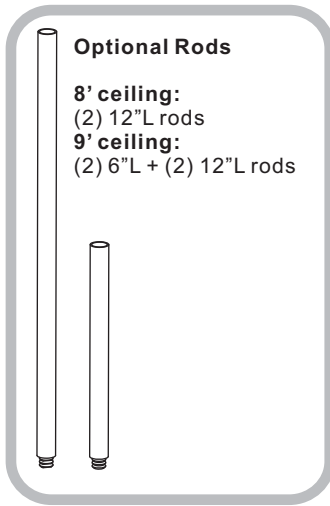
Step 2 - 3
Test fitting ceiling canopy to mounting screws



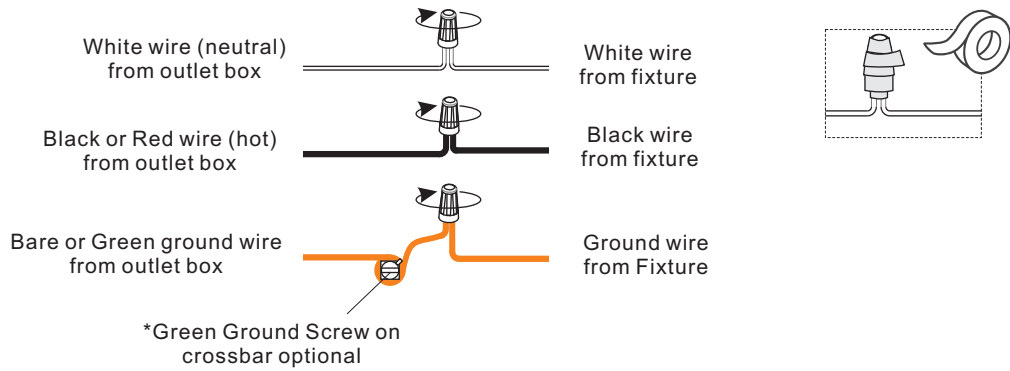
3



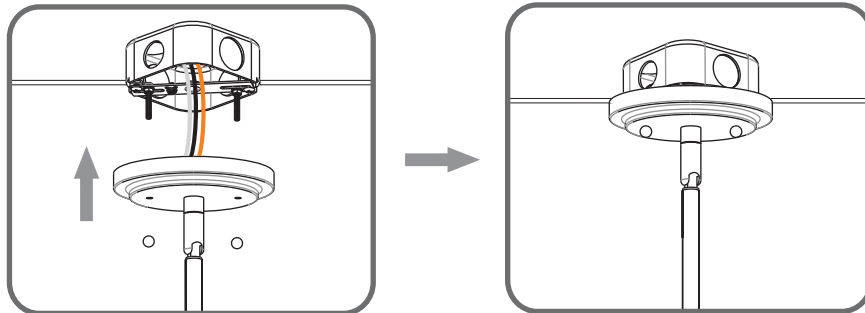
STEP 2



STEP 3



STEP 4



STEP 5

