

Please go to www.quezel.com for product cleaning tips. Go to the **Care + Maintenance** selection.

Tools Required: Flathead screwdriver, Phillips screwdriver, pliers, wire cutters, wire strippers, electrical tape, safety glasses.

Light Source: LED 31W

Estimated Assembly Time: 20-30 minutes

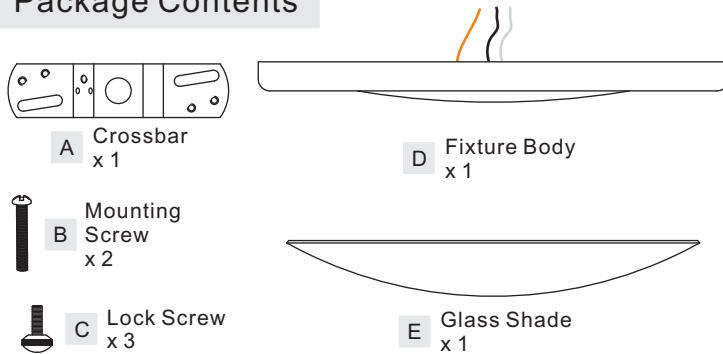
Preparation: Identify and inspect all parts before beginning installation. Check package content list and diagrams below to ensure all parts are present. If any parts are missing or damaged, do not attempt to assemble, install, or operate the fixture. Contact your original place of purchase.

⚠ Warnings and Cautions

Turn off electricity at circuit breaker or main fuse box before installation. Consult a licensed electrician if in doubt.

These instructions are provided for your safety. It is very important you read them completely before installing the fixture. We strongly recommend that a licensed, professional electrician perform the installation.

Package Contents



STEP 1 - Install Crossbar

- A. Measure the distance between two keyholes on the top of the Fixture Body (D). Use this distance to identify corresponding mounting holes on the Crossbar (A) and thread Mounting Screws (B) into mounting holes.

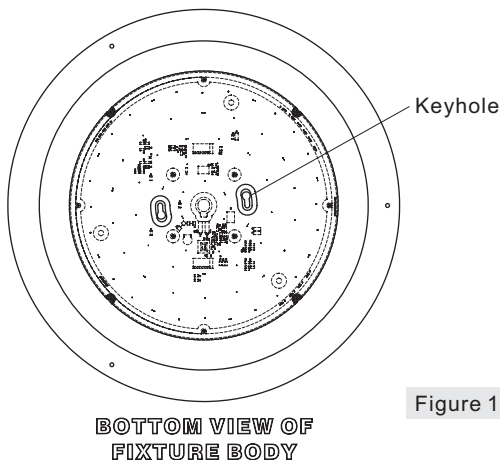
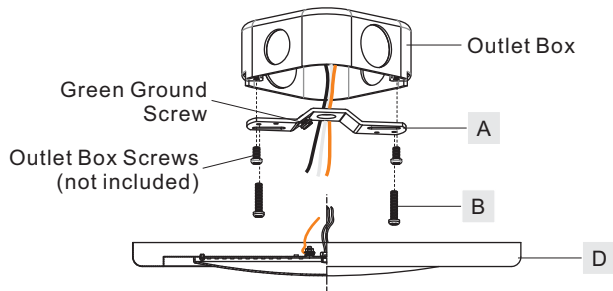


Figure 1

(Step 1 Continued)

- B. Attach slots on the Crossbar (A) to mounting holes on outlet box with the head of green ground screw facing you. Secure the Crossbar (A) with outlet box screws (not included). Tighten until snug with screwdrivers.
- C. Test fit the Fixture Body (D) to Mounting Screws (B) and adjust the length of Mounting Screws (B) so that the Fixture Body (D) flush against the ceiling after installation. You may need to test fit more than one time to achieve the correct length of the Mounting Screw (B).

STEP 2 - Wire Connections

- A. Wrap bare or green ground wire around green ground screw on the crossbar, no less than 2 inches from the end of the wire. Tighten the green ground screw.
- B. Use standard wire connectors (not included) to make all wire connections. Twist connectors until wires are tightly joined together. Wrap each connection with approved electrical tape and carefully stuff all the connected wires into the Outlet Box.

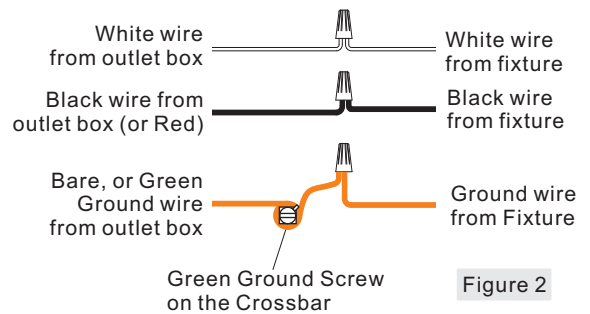


Figure 2

STEP 3 - Install Fixture Body

- A. Align Mounting Screws (B) to keyholes on the Fixture Body (D) and twist the Fixture Body (D) until the Fixture Body (D) is hung safely.
- B. By using Phillips screwdrivers, tighten Mounting Screws (B) from keyholes on the Fixture Body (D) as needed to secure the Fixture Body (D).

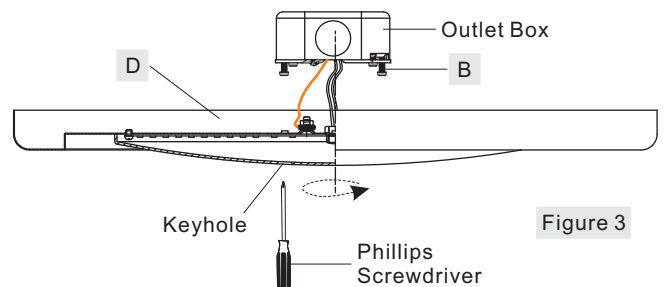


Figure 3

STEP 4 - Install Glass Shade

A. Place the Glass Shade (E) onto the Fixture Body (D) as shown. Thread Lock Screws (C) onto the Fixture Body (D) and hand tighten gently until the heads of Lock Screws (C) are engaged in the Glass Shade (E).

Your fixture is now assembled and ready to use. Enjoy!

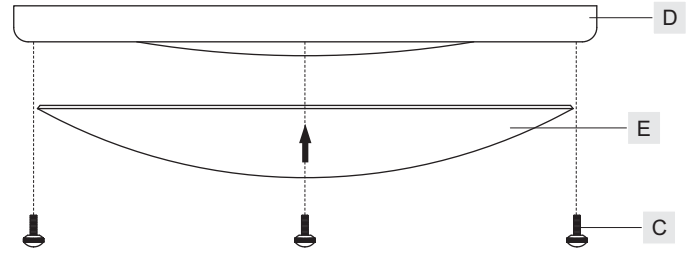


Figure 4

QF5132C

FINISH: POLISHED CHROME

NOTE: ALL DIMENSIONS ARE ROUNDED UP TO THE NEAREST 1/4"

