

Please go to [www.quoizel.com](http://www.quoizel.com) for product cleaning tips. Go to the **Care + Maintenance** selection.

**Tools Required:** Flathead screwdriver, Phillips screwdriver, pliers, wire cutters, wire strippers, electrical tape, safety glasses.

**Light Source:** (2) A19 Medium Base 100W bulb Maximum, bulb not included.

**Estimated Assembly Time:** 30-45 minutes

**Preparation:** Identify and inspect all parts before beginning installation. Check package content list and diagrams below to ensure all parts are present. If any parts are missing or damaged, do not attempt to assemble, install, or operate the fixture. Missing Parts? Contact your original place of purchase.

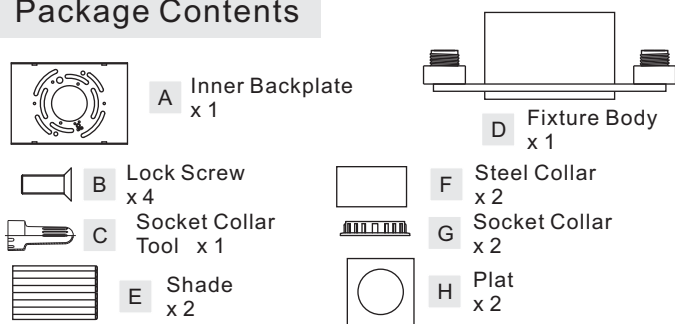
### ⚠ Warnings and Cautions

Turn off electricity at circuit breaker or main fuse box before installation. Consult a licensed electrician if in doubt.

These instructions are provided for your safety. It is very important you read them completely before installing the fixture. We strongly recommend that a licensed, professional electrician perform the installation.

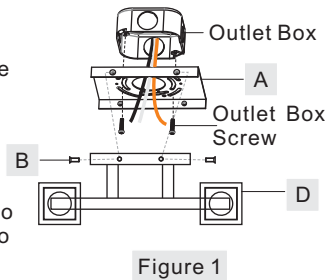
Disconnect fixture from power source before replacing bulbs. Make sure bulbs are given sufficient time to cool before removal.

### Package Contents



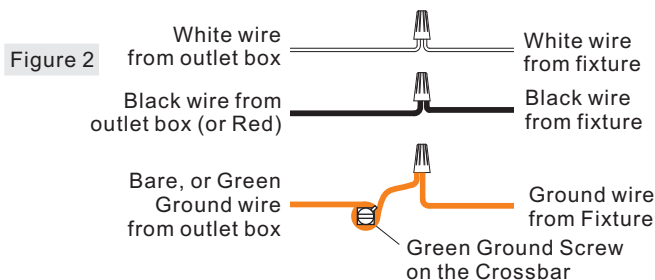
### STEP 1 - Install Inner Backplate and Fixture Body

- Pass the supply wires through Inner Backplate (A). Attach Inner Backplate (A) to Outlet Box with the head of Green Ground Screw facing you. Secure it with Outlet Box Screws (not included). Tighten until snug.
- Race all supply wires through the Inner Backplate (A) as shown. Refer to Step 2 for wiring connections. Refer to Step 2 for wiring connections.
- Attach Fixture Body (D) over Inner Backplate (A) and secure with Lock Screws (B). Tighten until snug with screwdrivers.



### STEP 2 - Wire Connections

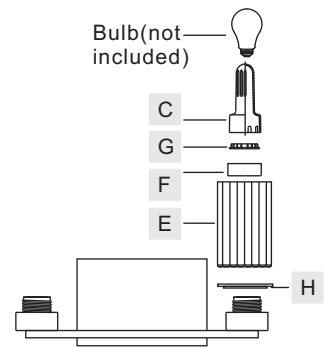
- Wrap bare or green ground wire around green ground screw on the crossbar, no less than 2 inches from the end of the wire. Tighten the green ground screw.
- Use standard wire connectors (not included) to make all wire connections. Twist connectors until wires are tightly joined together. Wrap each connection with approved electrical tape and carefully stuff all the connected wires into the Outlet Box.



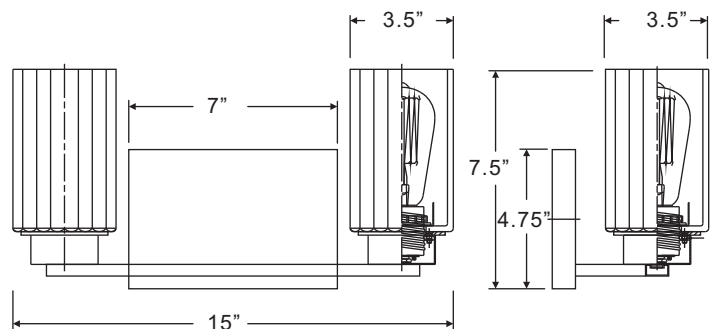
### STEP 3 - Install Shades and Bulbs

- Place the Plat (H), the Shade (E) and the Steel Collar (F) over Socket as shown. By using the Socket Collar Tool (C), thread the Socket Collar (G) onto the Socket to secure them together. Hand tighten until snug.
  - Insert the bulb onto the socket and screw snugly into place.
- Your fixture is now assembled and ready to use. Enjoy!

Figure 3



DAN8615PK  
FINISH: POLISHED NICKEL



NOTE: ALL DIMENSIONS ARE ROUNDED UP TO THE NEAREST 1/4"