

Please go to www.quirzel.com for product cleaning tips. Go to the **Care + Maintenance** selection.

Tools Required: Flathead screwdriver, Phillips screwdriver, pliers, wire cutters, wire strippers, electrical tape, safety glasses.

Light Source: LED 47W

Fixture Hanging Height: Minimum Hanging Height is 13.75", Maximum Hanging Height is 104.75".

Estimated Assembly Time: 30-45 minutes

Preparation: Identify and inspect all parts before beginning installation. Check package content list and diagrams below to be sure all parts are present. If any parts are missing or damaged, do not attempt to assemble, install, or operate the fixture. Contact your original place of purchase.

⚠ Warnings and Cautions

Turn off electricity at circuit breaker or main fuse box before installation. Consult a licensed electrician if in doubt.

These instructions are provided for your safety. It is very important you read them completely before installing the fixture. We strongly recommend that a licensed, professional electrician perform the installation.

Package Contents

- A** Inner Backplate x 1
- B** Mounting Screw x 2
- C** Allen Wrench x 1
- D** Crystal x 12
- E** Curve Metal x 12
- F** Fixture Body x 1

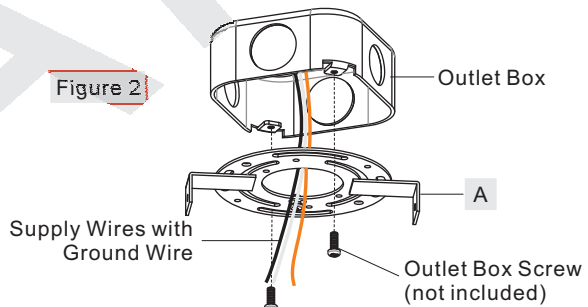
(Step 1 Continued)

on the cord next to the position about 6 inch from hex nut inside of the ceiling canopy so that the cord length can be adjusted a bit if necessary.

C. If needed, unscrew the set screw on the cable clamp by using the Allen Wrench (C). Move the cable clamp to your desired location on the cable and then tighten the set screw.

STEP 2 – Attach Inner Backplate to Outlet Box

A. Place the supply wires with ground wire through the Inner Backplate (A). Attach the Inner Backplate (A) onto the outlet box and secure with outlet box screws (not included). Hand tighten until snug.



STEP 1 – Adjust Fixture Height

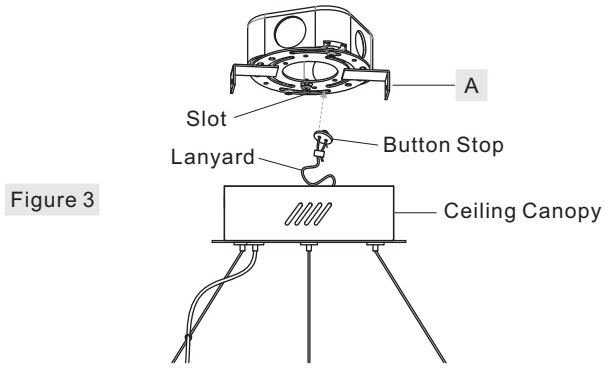
A. Push each button on the bottom of the ceiling canopy to adjust the cable or the cord in or out of the ceiling canopy to achieve your desired hanging height. Make sure the Fixture Body (F) is level after adjustment.

B. Once your desired hanging height is achieved, move the safety clip

STEP 3 - Attach the Lanyard

A. The purpose of the lanyard is to provide a means to support the fixture hands free from the junction box while connecting the electrical wires.

B. Turn the Button Stop so it may be inserted into a inner backplate slot. Make sure the Button Stop is completely inside the inner backplate. Slowly release the fixture to make sure it is supported by the Button Stop. Proceed to the wiring steps in the next step. Once you are complete with the wiring, the Lanyard will push into the junction box when the fixture is placed for final mounting.



STEP 4 - Wire Connections

- Wrap bare or green ground wire around green ground screw on the crossbar, no less than 2 inches from the end of the wire. Tighten the green ground screw.
- Use standard wire connectors (not included) to make all wire connections. Twist connectors until wires are tightly joined together. Wrap each connection with approved electrical tape and carefully stuff all the connected wires into the Outlet Box.

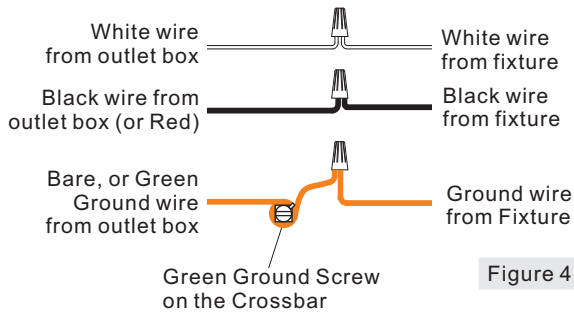


Figure 4

STEP 5 - Attach Ceiling Canopy to Inner Backplate

- Fit excess cord and electrical wires in the ceiling canopy properly. Line up the holes on the side of the ceiling canopy to the mounting holes on the Inner Backplate (A). Secure them with Mounting Screws (B). Tighten until snug.

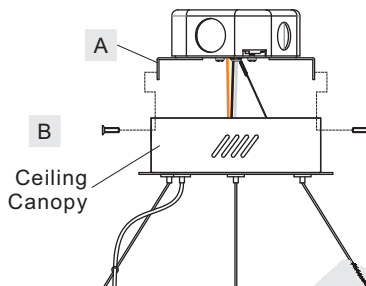


Figure 5

STEP 6 - Install Crystals and Curve Metals

- Remove the plate from the Fixture Body (F) by unscrewing lock screws on the top of the Fixture Body (F).
- Place Crystals (D) onto rectangle holes on the Fixture Body (F) and place Curve Metals (E) onto the curve holes on the Fixture Body (F).
- Place the previously removed plate back onto the Fixture Body (F) and secure with previously removed lock screws. Hand tighten until snug.

Your fixture is now assembled and ready to use. Enjoy!

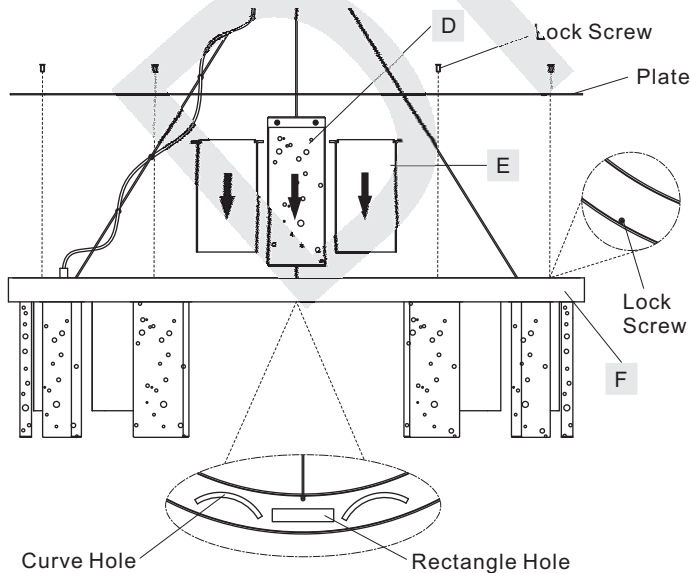
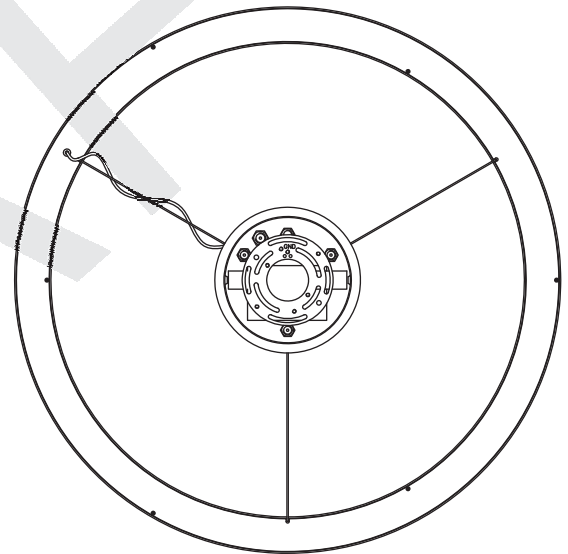
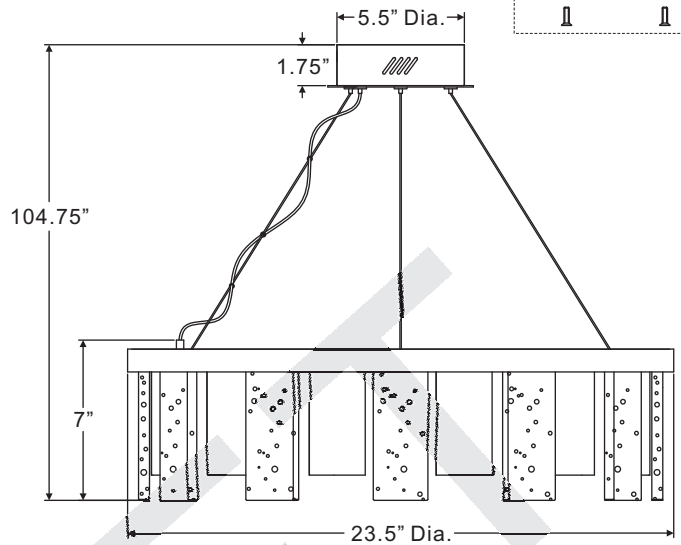
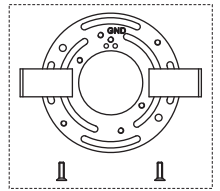


Figure 6

PCND2824SKG

FINISH: SILKEN GOLD



NOTE: ALL DIMENSIONS ARE ROUNDED UP TO THE NEAREST 1/4"