

Please go to www. quoizel. com for product cleaning tips. Go to the **Care + Maintenance** selection.

Tools Required: Flathead screwdriver, Phillips screwdriver, pliers, wire cutters, wire strippers, electrical tape, safety glasses.

Light Source: Integrated 40W LED

Compatible Dimmer Switches: Lutron AYCL-153P or Lutron DVCL-153P.

Estimated Assembly Time: 20-30 minutes

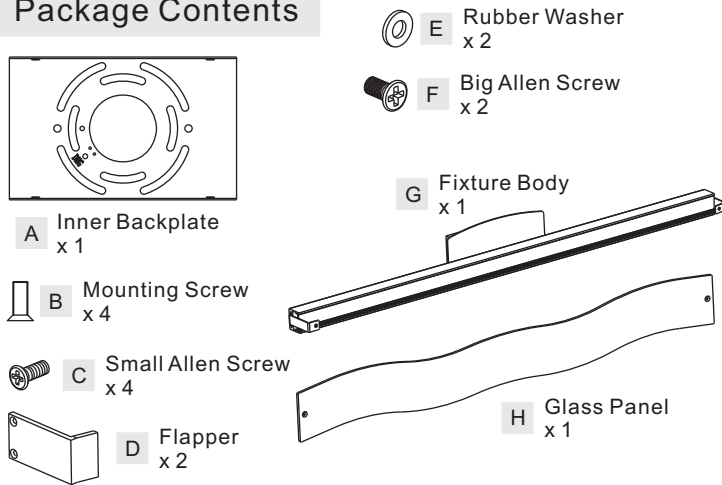
Preparation: Identify and inspect all parts before beginning installation. Check package content list and diagrams below to be sure all parts are present. If any parts are missing or damaged, do not attempt to assemble, install, or operate the fixture. Contact customer service for replacement parts.

⚠ Warnings and Cautions

Turn off electricity at circuit breaker or main fuse box before installation. Consult a licensed electrician if in doubt.

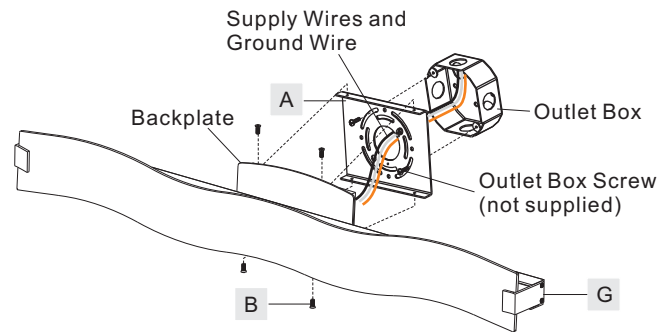
These instructions are provided for your safety. It is very important you read them completely before installing the fixture. We strongly recommend that a licensed, professional electrician perform the installation.

Package Contents



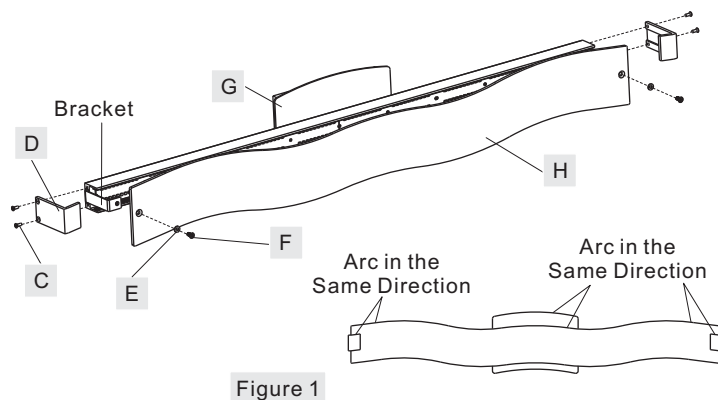
STEP 2 – Install Inner Backplate and Fixture Body

- Pass the supply wires and ground wire through the Inner Backplate (A). Attach the Inner Backplate (A) to Outlet Box with the head of Green Ground Screw facing you. Secure it with Outlet Box Screws (not included). Tighten until snug.
- Refer to Step 3 for wiring connections.
- Attach the backplate of the Fixture Body (G) over the Inner Backplate (A) and secure with Mounting Screws (B). Tighten until snug with screwdrivers.



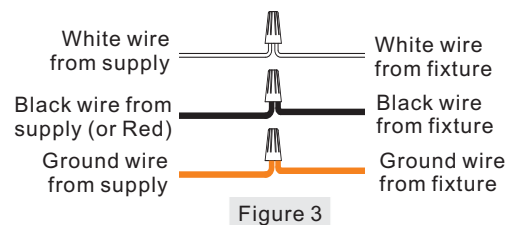
STEP 1 – Install Glass Panel and Flappers

- Place the Glass Panel (H) onto brackets at the Fixture Body (G). Make sure the arcs of backplate and the Glass Panel (H) are in the same direction. Pass Rubber Washers (E) over Big Allen Screws (F) and thread Big Allen Screws (F) into the Brackets to secure the Glass Panel (H). Tighten until snug with screwdrivers.
- Attach the Flappers (D) onto the ends of the Fixture Body (G) and cover the Big Allen Screws (F) on the Glass Panel (H). Make sure the arcs of the Flappers (D) and the Glass Panel (H) are in the same direction. Secure the Flappers (D) by threading Small Allen Screws (C) into mounting holes on the side of the Fixture Body (G). Tighten until snug with screwdrivers.



STEP 3 - Wire Connections

- Use standard wire connectors (not included) to make all wire connections. Twist connectors until wires are tightly joined together. Wrap each connection with approved electrical tape and carefully stuff all the connected wires between Inner Backplate (A) and Fixture Body (G).

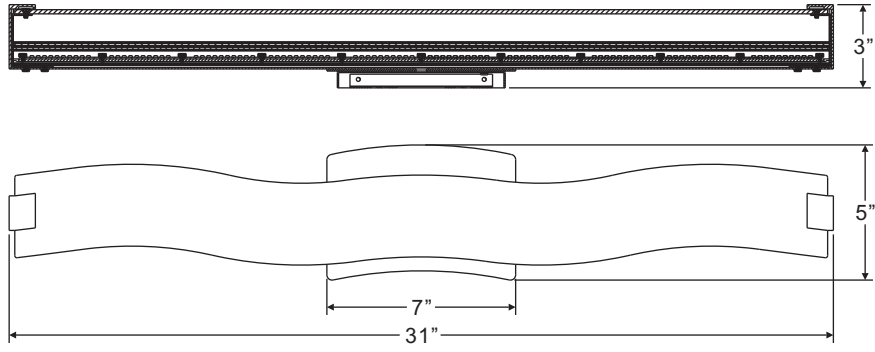
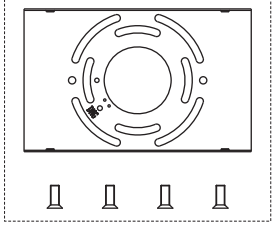


Your fixture is now assembled and ready to use. Enjoy!

Thank you for purchasing a Quoizel product.
Need assistance with parts or assembly? Call Quoizel customer service at 1-800-645-3184
or visit us on-line at www. quoizel. com

PCGD8531C

FINISH: POLISHED CHROME



NOTE: ALL DIMENSIONS ARE ROUNDED UP TO THE NEAREST 1/4"

Thank you for purchasing a Quoizel product.
Need assistance with parts or assembly? Call Quoizel customer service at 1-800-645-3184
or visit us on-line at www.quoizel.com