

Please go to [www.quirzel.com](http://www.quirzel.com) for product cleaning tips. Go to the **Care + Maintenance** selection.

**Tools Required:** Flathead screwdriver, Phillips screwdriver, pliers, wire cutters, wire strippers, electrical tape, safety glasses.

**Light Source:** LED 11W

**Fixture Hanging Height:** Minimum Hanging Height is 10.5", Maximum Hanging Height is 99.5".

**Estimated Assembly Time:** 30-45 minutes

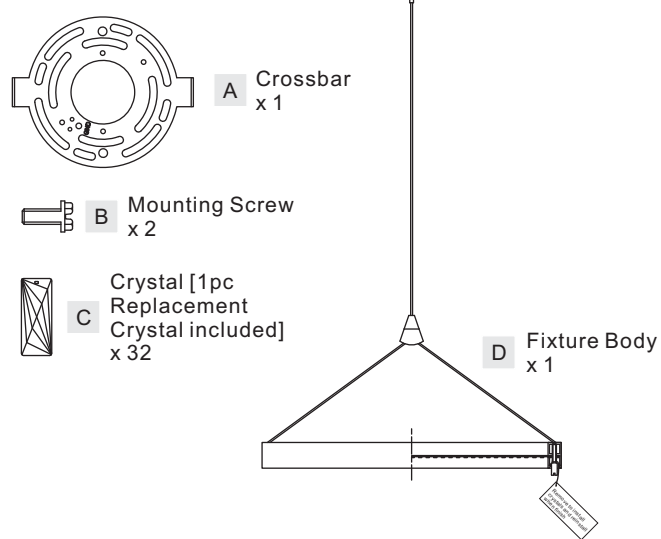
**Preparation:** Identify and inspect all parts before beginning installation. Check package content list and diagrams below to be sure all parts are present. If any parts are missing or damaged, do not attempt to assemble, install, or operate the fixture. Contact your original place of purchase.

### ⚠ Warnings and Cautions

Turn off electricity at circuit breaker or main fuse box before installation. Consult a licensed electrician if in doubt.

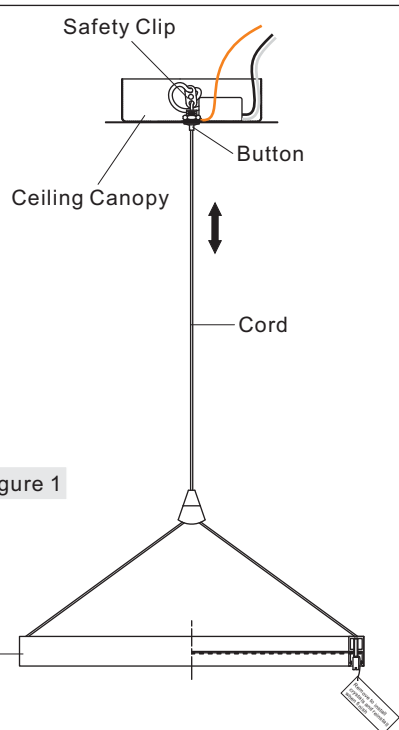
These instructions are provided for your safety. It is very important you read them completely before installing the fixture. We strongly recommend that a licensed, professional electrician perform the installation.

### Package Contents



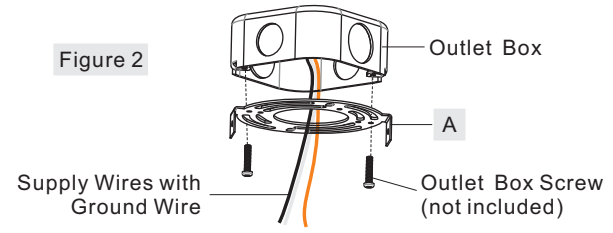
### STEP 1 – Adjust Fixture Height

- A. Press the button on the bottom of the ceiling canopy and adjust the cord in or out of the ceiling canopy to achieve your desired hanging height. Make sure the Fixture Body (D) is level after adjustment.
- B. Move safety clips next to the hex nut inside of the ceiling canopy.



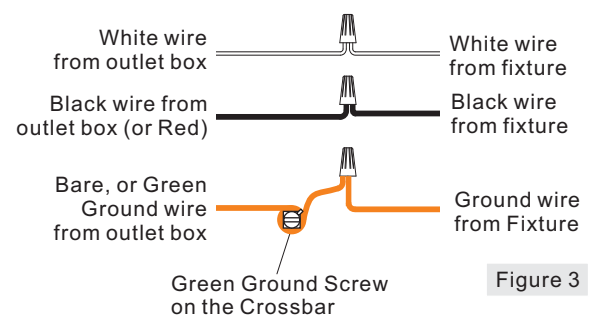
### STEP 2 – Attach Crossbar to Outlet Box

- A. Attach the Crossbar (A) onto the outlet box and secure with outlet box screws (not included). Hand tighten until snug.



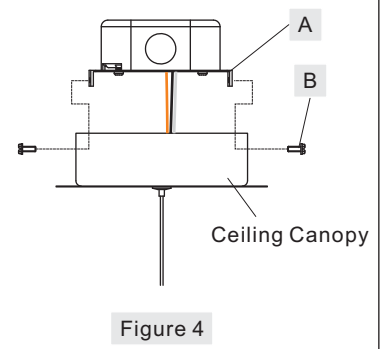
### STEP 3 - Wire Connections

- A. Wrap bare or green ground wire around green ground screw on the crossbar, no less than 2 inches from the end of the wire. Tighten the green ground screw.
- B. Use standard wire connectors (not included) to make all wire connections. Twist connectors until wires are tightly joined together. Wrap each connection with approved electrical tape and carefully stuff all the connected wires into the Outlet Box.



### STEP 4 – Attach Ceiling Canopy to Crossbar

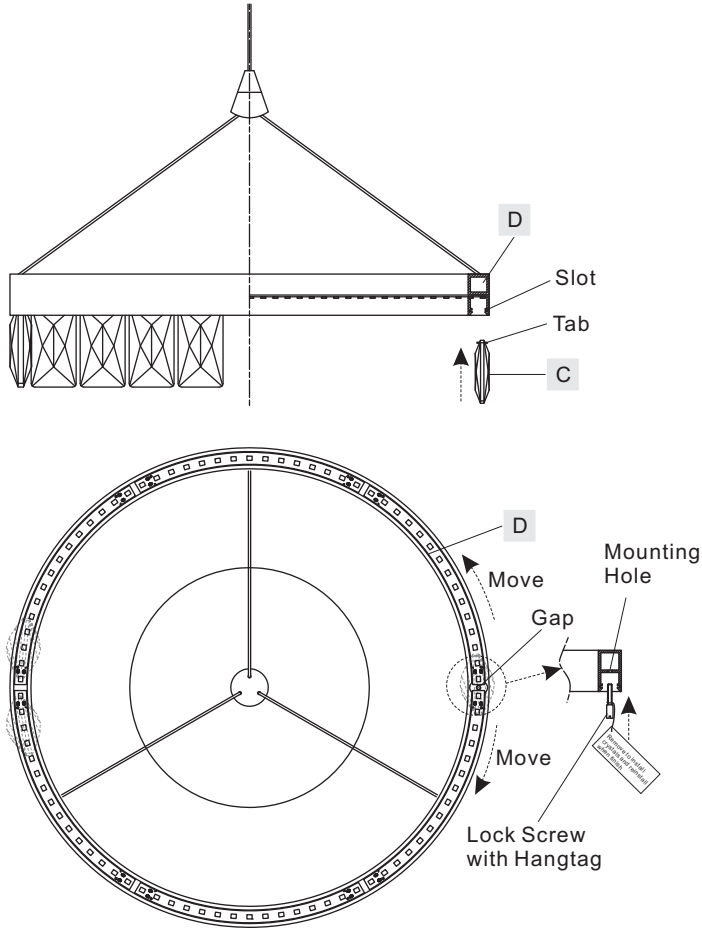
- A. Fit excess cord and electrical wires in the ceiling canopy properly. Line up the holes on the side of the ceiling canopy to the mounting holes on the Crossbar (A). Secure them with Mounting Screws (B). Tighten until snug.



### STEP 5 – Install Crystals

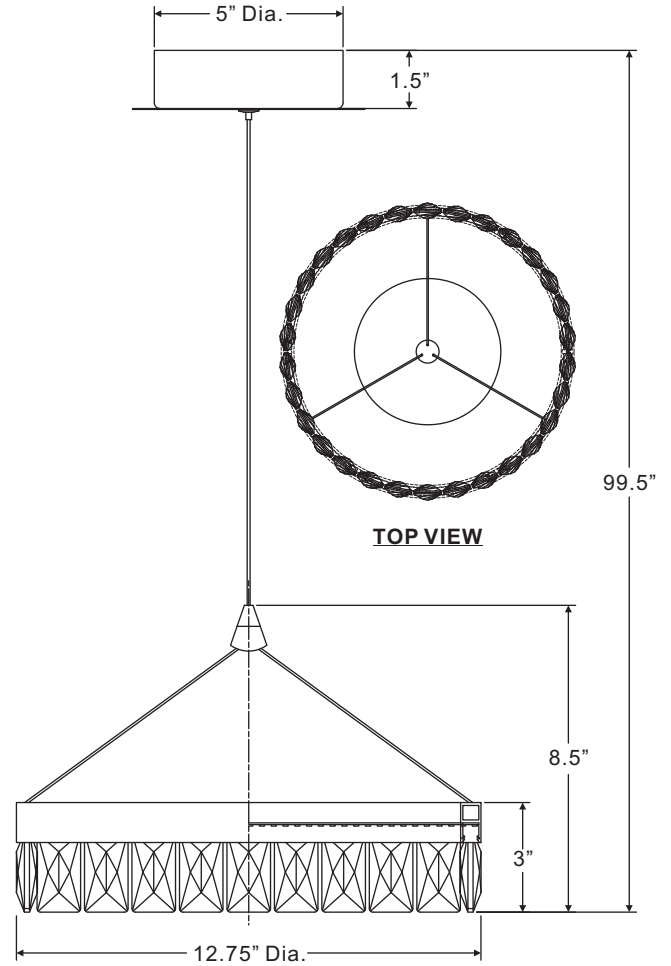
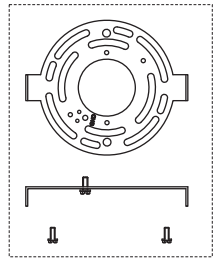
- A. Remove the lock screw with hangtag from the Fixture Body (D).
- B. Place the Crystal (C) onto the Fixture Body (D) from the gap where the lock screw removed. Press the tab on the Crystal (C) into the slot on the ring and move the Crystal (C) along the ring.
- C. Install total 31 Crystals (C) onto the Fixture Body (D) one by one.
- D. Remove the hangtag from the lock screw and thread the lock screw back into the gap of the ring.

Your fixture is now assembled and ready to use. Enjoy!



PCEO1513C

FINISH: POLISHED CHROME



NOTE: ALL DIMENSIONS ARE ROUNDED UP TO THE NEAREST 1/4"