

Please go to www. quoizel. com for product cleaning tips. Go to the **Care + Maintenance** selection.

Tools Required: Flathead screwdriver, Phillips screwdriver, pliers, wire cutters, wire strippers, electrical tape, safety glasses.

Light Source: LED 18W

Estimated Assembly Time: 20-30 minutes

Preparation: Identify and inspect all parts before beginning installation. Check package content list and diagrams below to be sure all parts are present. If any parts are missing or damaged, do not attempt to assemble, install, or operate the fixture. Contact customer service for replacement parts.

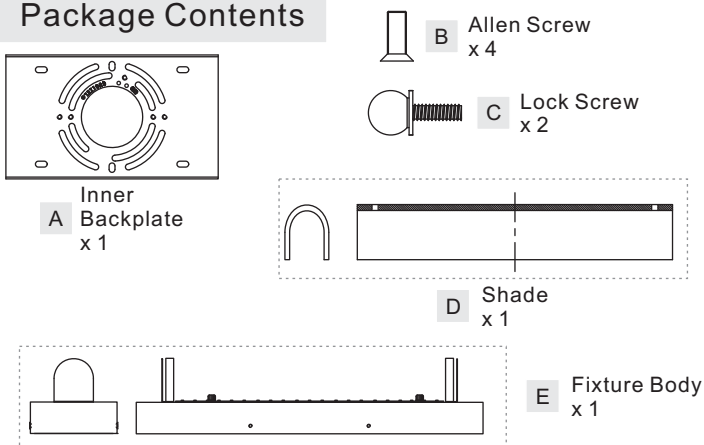
⚠ Warnings and Cautions

Turn off electricity at circuit breaker or main fuse box before installation. Consult a licensed electrician if in doubt.

These instructions are provided for your safety. It is very important you read them completely before installing the fixture. We strongly recommend that a licensed, professional electrician perform the installation.

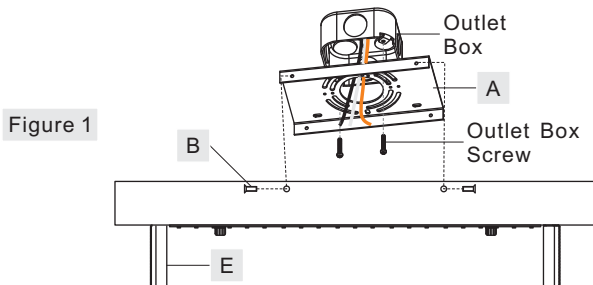
Disconnect fixture from power source before replacing bulbs. Make sure bulbs are given sufficient time to cool before removal. Do not subject glass parts to any shock while in operation or shattering may result.

Package Contents



STEP 1 - Install Inner Backplate and Fixture Body

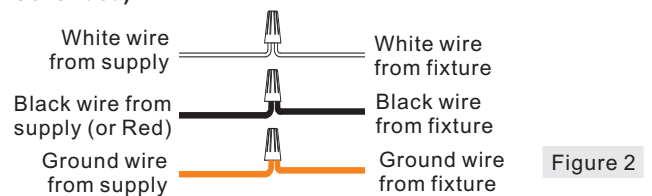
- Pass the supply wires through Inner Backplate (A). Attach Inner Backplate (A) to Outlet Box with the head of Green Ground Screw facing you. Secure it with Outlet Box Screws (not included). Tighten until snug.
- Race all supply wires through the Inner Backplate (A) as shown. Refer to Step 2 for wiring connections.
- Attach Fixture Body (E) over Inner Backplate (A) and secure with Allen Screws (B). Tighten until snug with screwdrivers.



STEP 2 - Wire Connections

- Use standard wire connectors (not included) to make all wire connections. (Connectors are not included with fixture.) Twist connectors until wires are tightly joined together. Wrap each connection with approved electrical tape and carefully stuff all the connected wires between Inner Backplate (A) and Fixture Body (E).

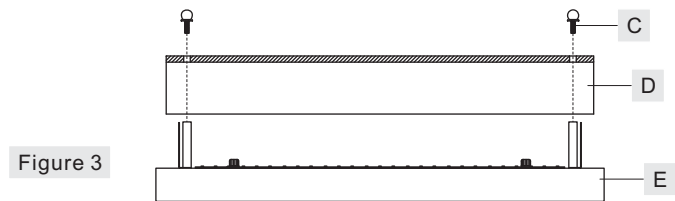
(Step 2 Continued)



STEP 3 - Install Shade

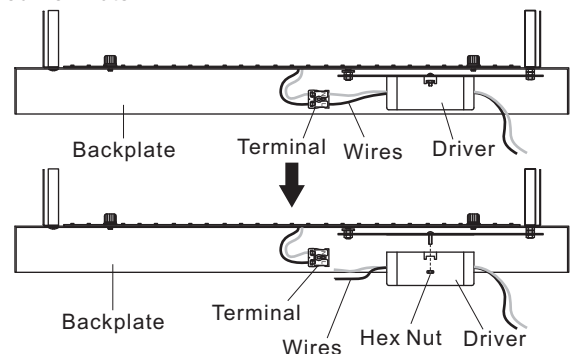
- Place Shade (D) onto the Fixture Body (E), line up the hole on the Shade (D) and the mounting hole on the Fixture Body (E). Secure by threading Lock Screws (C) onto the Fixture Body (E). Hand tighten until snug.

Your fixture is now assembled and ready to use. Enjoy!



How To Replace The Driver

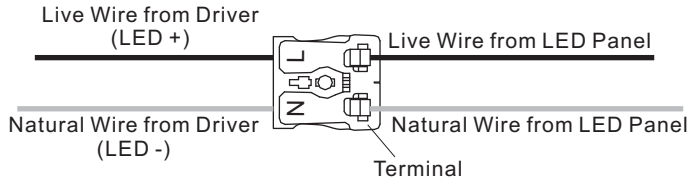
- Remove shade from backplate. Disconnect the fixture from the outlet box.
- Unplug Driver wires from the Terminal by pressing the tabs on the Terminal. Unlock Hex Nuts on the side of the Driver and replace the Driver with a new one. Tighten the new Driver with the previously removed Hex Nuts.



Thank you for purchasing a Quoizel product.
Need assistance with parts or assembly? Call Quoizel customer service at 1-631-273-2700
or visit us on-line at www. quoizel. com

How To Replace The Driver (Continue)

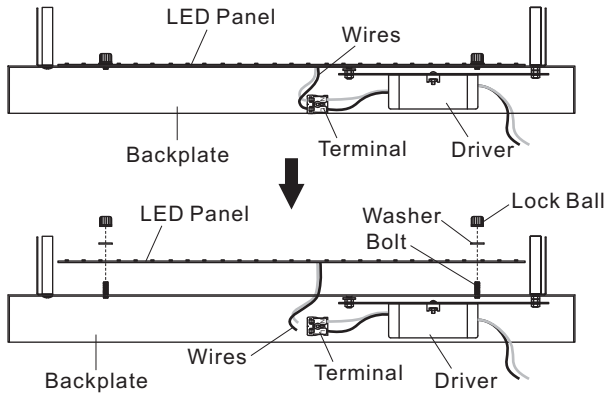
C. Connect the Live Wire from Driver ("LED +") to Port "L" on the Terminal, which is the corresponding port of the Live Wire from LED Panel. Connect the Natural Wire from Driver ("LED -") to Port "N" on the Terminal, which is the corresponding port of the Natural Wire from LED Panel.



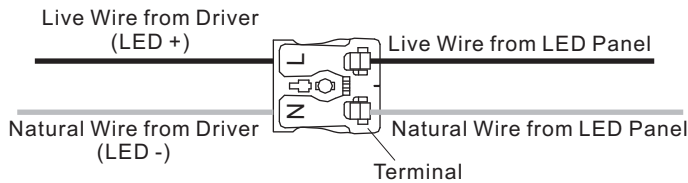
D. Return to Step 1 - Step 3 to complete the installation of the fixture.

How To Replace The LED Panel

- Remove shade from backplate. Disconnect the fixture from the outlet box.
- Unplug LED wires from the Terminal by pressing the tabs on the Terminal. Unlock Lock Balls in the front of LED Panel and remove Washers and LED Panels from fixture.
- Attach the replacement LED Panel to the front of the backplate. Pass LED Wires through the holes on the backplate. Place the replacement LED Panel and Washers over Bolts. Secure with Lock Balls.



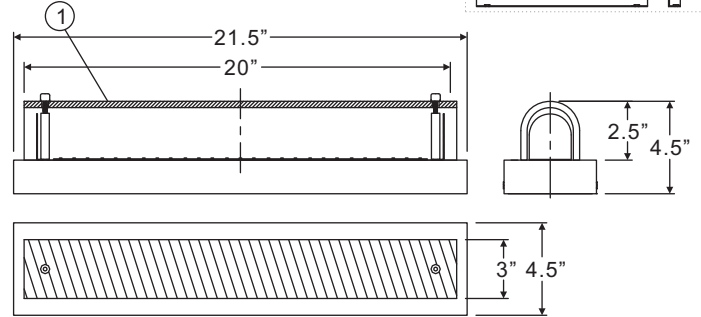
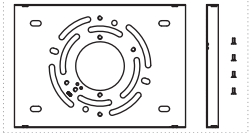
D. Connect the Live Wire from LED Panel to the corresponding port of the Live Wire from Driver ("LED +"). Connect the Natural Wire from LED Panel to the corresponding port of the Natural Wire from Driver ("LED -").



E. Return to Step 1 - Step 3 to complete the installation of the fixture.

PCED8521C

FINISH: POLISHED CHROME



NOTE: ALL DIMENSIONS ARE ROUNDED UP TO THE NEAREST 1/2"

NO.	PART NUMBER	REPLACEMENT	REQ.
1	G11942SH	GLASS SHADE	1

Thank you for purchasing a Quoizel product.
Need assistance with parts or assembly? Call Quoizel customer service at 1-631-273-2700
or visit us on-line at www.quoise.com