

Please go to www. quozel. com for product cleaning tips. Go to the **Care + Maintenance** selection.

Tools Required: Flathead screwdriver, Phillips screwdriver, pliers, wire cutters, wire strippers, electrical tape, safety glasses.

Light Source: LED 40W

Estimated Assembly Time: 20-30 minutes

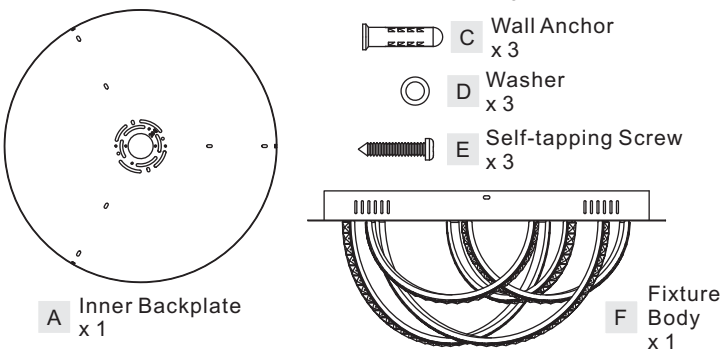
Preparation: Identify and inspect all parts before beginning installation. Check package content list and diagrams below to be sure all parts are present. If any parts are missing or damaged, do not attempt to assemble, install, or operate the fixture. Contact customer service for replacement parts.

⚠ Warnings and Cautions

Turn off electricity at circuit breaker or main fuse box before installation. Consult a licensed electrician if in doubt.

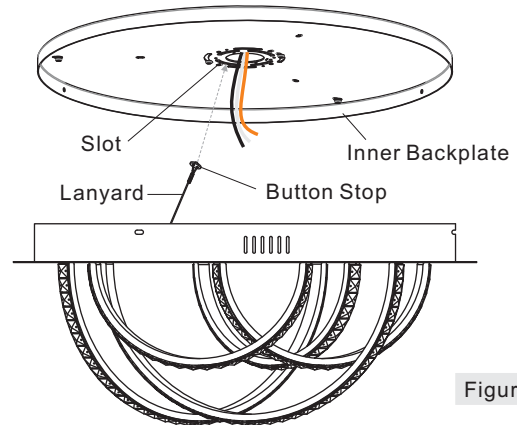
These instructions are provided for your safety. It is very important you read them completely before installing the fixture. We strongly recommend that a licensed, professional electrician perform the installation.

Package Contents



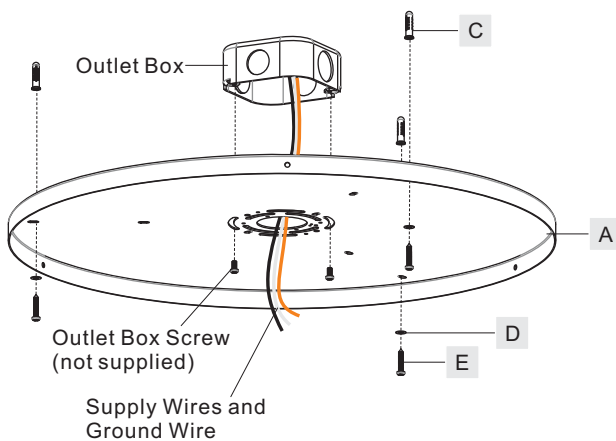
STEP 2 - Attach the Lanyard

- The purpose of the lanyard is to provide a means to support the fixture hands free from the junction box while connecting the electrical wires.
- Turn the Button Stop so it may be inserted into an inner backplate slot. Make sure the Button Stop is completely inside the inner backplate. Slowly release the fixture to make sure it is supported by the Button Stop. Proceed to the wiring steps in the next step. Once you are complete with the wiring, the Lanyard will push into the junction box when the fixture is placed for final mounting.



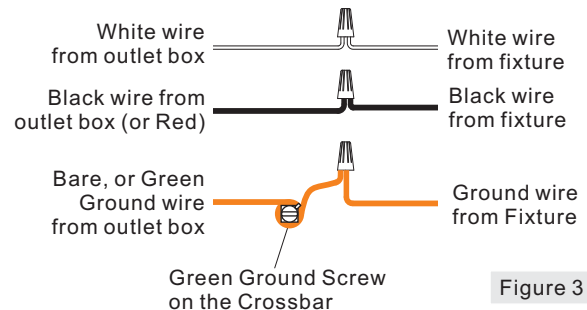
STEP 1 - Attach Inner Backplate to Outlet Box

- Attach the Inner Backplate (A) onto the outlet box. Align one set of holes on the Inner Backplate (A) to mounting holes on the outlet box and make two marks on the ceiling from keyholes on the flat strap of the Inner Backplate (A).
- Remove the Inner Backplate (A) and drill proper holes on the ceiling from marks. Insert Wall Anchors (C) into the holes properly.
- Attach the Inner Backplate (A) to outlet box. Secure by threading outlet box screws (not supplied) into mounting holes on the outlet box and threading Self-tapping Screws (E) with Washers (D) into Wall Anchors (C). Hand tighten until snug.



STEP 3 - Wire Connections

- Wrap bare or green ground wire around green ground screw on the crossbar, no less than 2 inches from the end of the wire. Tighten the green ground screw.
- Use standard wire connectors (not included) to make all wire connections. Twist connectors until wires are tightly joined together. Wrap each connection with approved electrical tape and carefully stuff all the connected wires into the Outlet Box.



Thank you for purchasing a Quoizel product.
Need assistance with parts or assembly? Call Quoizel customer service at 1-800-645-3184
or visit us on-line at www. quozel. com

STEP 4 - Attach Fixture Body to Inner Backplate

- A. Place the Fixture Body (F) to Inner Backplate (A) and secure with Mounting Screws (B). Hand tighten Mounting Screws (B) until snug with screwdrivers.
- B. Remove protective film from ceiling canopy carefully.

Your fixture is now assembled and ready to use. Enjoy!

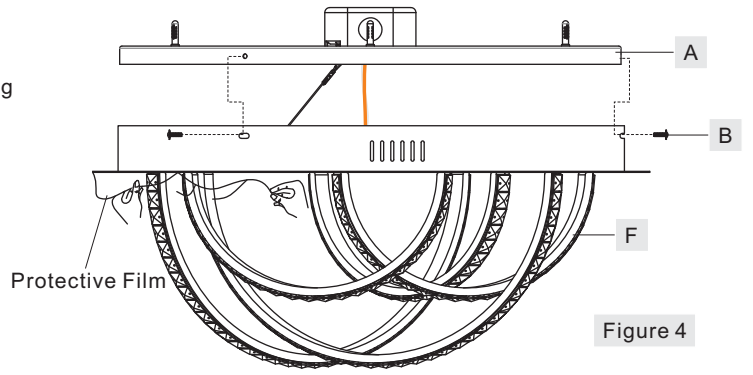
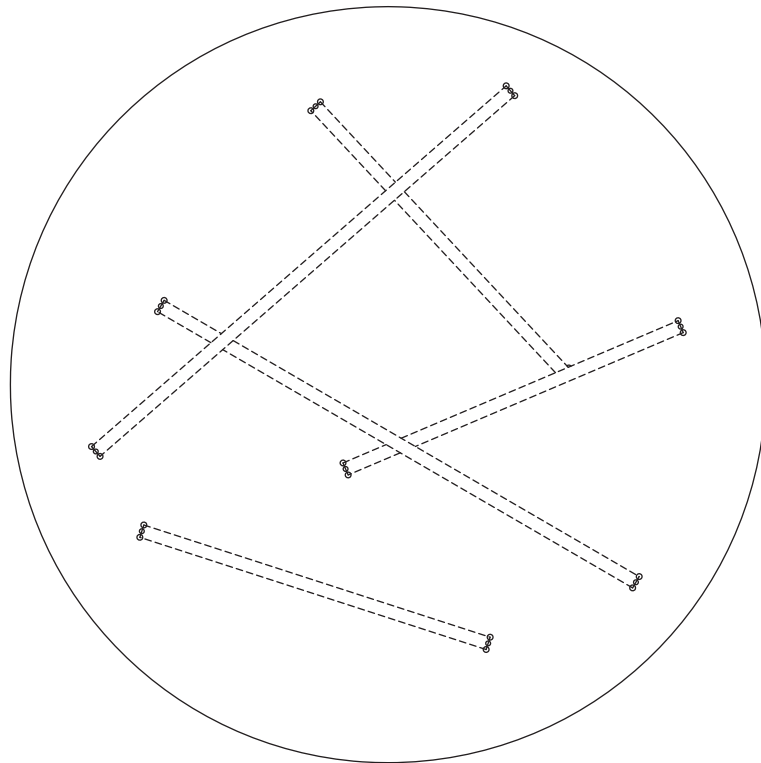
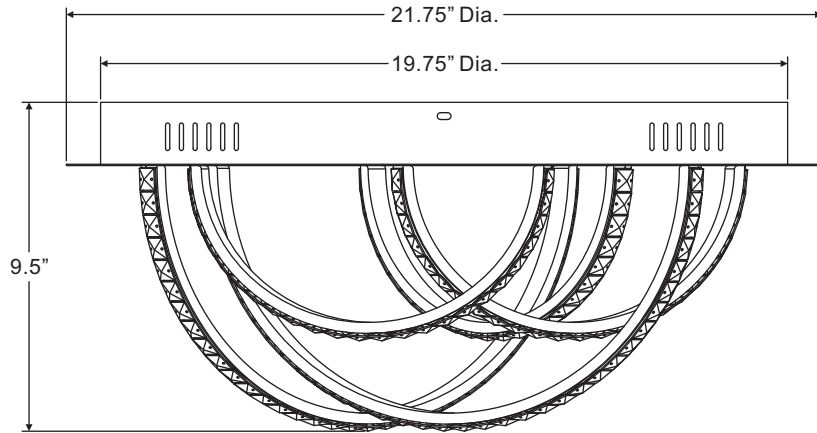
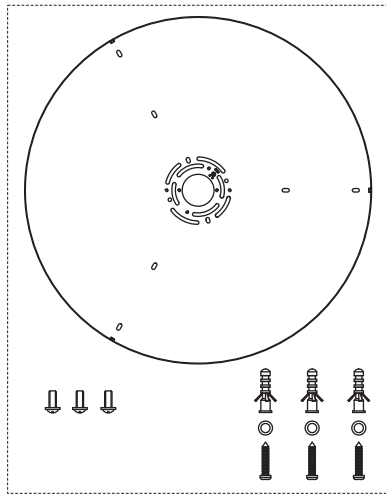


Figure 4

PCDM1622C

FINISH: POLISHED CHROME

NOTE: ALL DIMENSIONS ARE ROUNDED UP TO THE NEAREST 1/4"



Thank you for purchasing a Quoizel product.
Need assistance with parts or assembly? Call Quoizel customer service at 1-800-645-3184
or visit us on-line at www.quoizel.com