

Please go to [www.quoizel.com](http://www.quoizel.com) for product cleaning tips. Go to the **Care + Maintenance** selection.

**Tools Required:** Flathead screwdriver, Phillips screwdriver, pliers, wire cutters, wire strippers, electrical tape, safety glasses.

**Light Source:** (2) A19 Medium Base 60W bulbs Maximum, bulbs not included.

**Estimated Assembly Time:** 30-45 minutes

**Preparation:** Identify and inspect all parts before beginning installation. Check package content list and diagrams below to be sure all parts are present. If any parts are missing or damaged, do not attempt to assemble, install, or operate the fixture. Contact your original place of purchase.

### ⚠ Warnings and Cautions

Turn off electricity at circuit breaker or main fuse box before installation. Consult a licensed electrician if in doubt.

These instructions are provided for your safety. It is very important you read them completely before installing the fixture. We strongly recommend that a licensed, professional electrician perform the installation.

Disconnect fixture from power source before replacing bulbs. Make sure bulbs are given sufficient time to cool before removal.

### ⚠ Care of Tiffany Style Shade

A new tiffany lamp shade has an oil film applied to the shade that protects the tiffany shade from scratches during shipment. If the oil applied is too heavy you can remove the excess oil film with a paper towel. Gently wipe away the excess oil.

For general cleaning of tiffany shades use a gentle lemon oil-based furniture polish applied to a soft cloth and wipe gently.

If a white powder appears on the soldered joints of the tiffany shade this is a normal oxidation process. Use a small amount of lemon oil or mineral oil applied directly to oxidized areas and the soldered area will return to like new.

#### Package Contents

- C** Spacer Tube x 1
- D** Check Ring x 1
- E** Nipple with Hex Nut x 1
- F** Small Knurled Nut x 1
- G** Big Knurled Nut x 1
- H** Flat Washer x 1
- I** Finial x 1
- J** Shade x 1

**A** Crossbar Assembly x 1

**B** Socket Assembly x 1

#### STEP 2 – Test Fitting Ceiling Canopy to Crossbar Assembly

A. Remove mounting balls from the Crossbar Assembly (A). Fit the Ceiling Canopy to the Crossbar Assembly (A) and secure with mounting balls. Note: The Ceiling Canopy should be snug against the ceiling and the mounting balls. If not, adjust the length of the nipple on the Crossbar Assembly (A) by unscrewing the preassembled hex nut and lock washer and then screwing the mounting screws in or out of the crossbar until the correct length is achieved. Once the Ceiling Canopy is secure, remove the mounting ball and Ceiling Canopy and proceed to Step 3.

**Figure 2**

#### STEP 1 – Installing the Crossbar Assembly

A. Pass the supply wires from outlet box through the Crossbar Assembly (A). Attach the Crossbar Assembly (A) to the Outlet Box with the head of the green ground screw facing you. Secure the Crossbar Assembly (A) with outlet box screws (not included). Tighten until snug.

**Figure 1**

#### STEP 3 - Wire Connections

A. Wrap bare or green ground wire around green ground screw on the crossbar, no less than 2 inches from the end of the wire. Tighten the green ground screw.

B. Use standard wire connectors (not included) to make all wire connections. Twist connectors until wires are tightly joined together. Wrap each connection with approved electrical tape and carefully stuff all the connected wires into the Outlet Box.

**Figure 3**

**STEP 4 - Install the Fixture**

A. Carefully tuck all wires into the outlet box and position the ceiling canopy over the outlet box. Align the holes in the ceiling canopy with the mounting screws, then attach the ceiling canopy using the previously removed mounting balls. Hand tighten until snug.

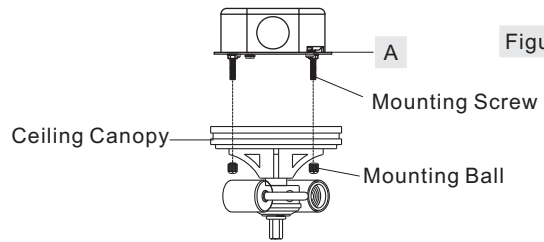


Figure 4

**STEP 5 - Install Shades and Bulbs**

- A. Thread the hex nut end of the Nipple with Hex Nut (E) into the hex coupling on the bottom center of the Socket Assembly (B). By using pliers, thread the hex nut against the hex coupling and hand tighten until snug.
- B. Place the Spacer Tube (C) and the Check Ring (D) over the bottom end of the Nipple (E) and secure with the Small Knurled Nut (F). Hand tighten until snug.
- C. Thread the Big Knurled Nut (G) onto the end of the Nipple (E) and adjust it to proper location for rest components.
- D. Place the Flat Washer (H) and the Shade (J) over the bottom end of the Nipple (E) and secure with the Finial (I). Hand tighten until snug.
- E. Insert bulbs into sockets and screw snugly into place.

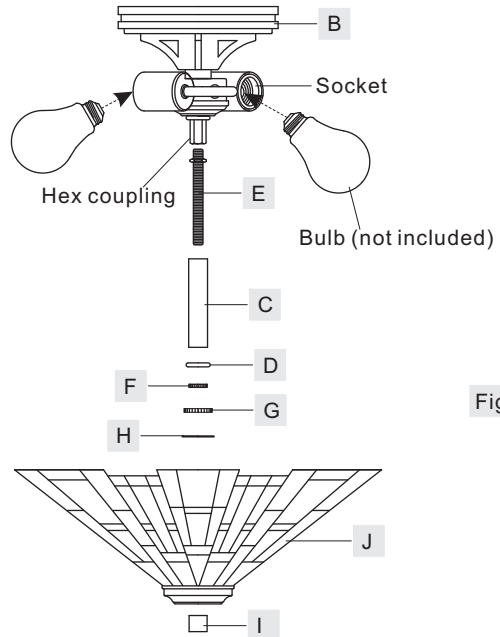
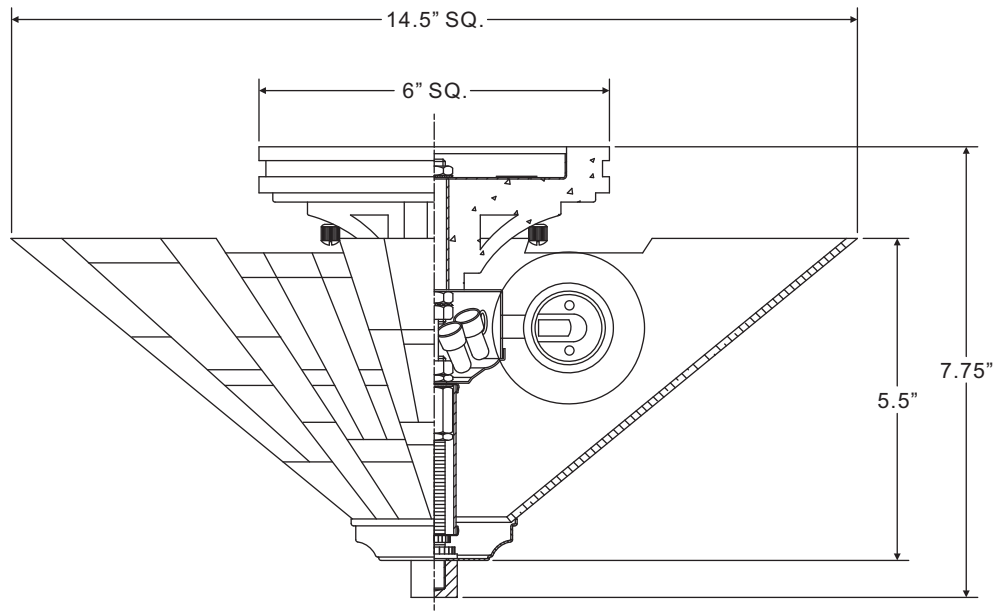
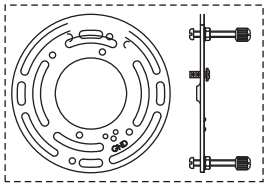


Figure 5

Your fixture is now assembled and ready to use. Enjoy!

TFMK1714VA

FINISH: VALIANT BRONZE



NOTE: ALL DIMENSIONS ARE ROUNDED UP TO THE NEAREST 1/4"