

Please go to www.quoise.com for product cleaning tips. Go to the **Care + Maintenance** selection.

Tools Required: Flathead screwdriver, Phillips screwdriver, pliers, wire cutters, wire strippers, electrical tape, safety glasses.

Light Source: (3) B10 Candelabra Base bulbs 60W Maximum, bulb not included.

Estimated Assembly Time: 30-45 minutes

Preparation: Identify and inspect all parts before beginning installation. Check package content list and diagrams below to ensure all parts are present. If any parts are missing or damaged, do not attempt to assemble, install, or operate the fixture. Missing Parts? Contact your original place of purchase.

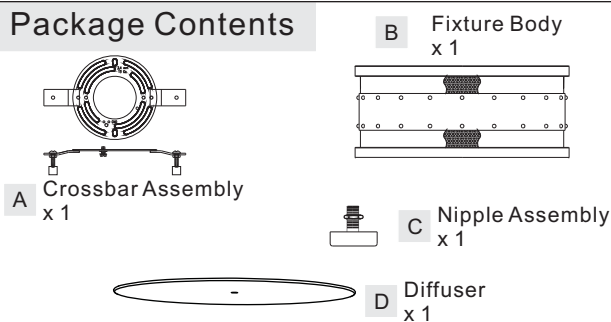
⚠ Warnings and Cautions

Turn off electricity at circuit breaker or main fuse box before installation. Consult a licensed electrician if in doubt.

These instructions are provided for your safety. It is very important you read them completely before installing the fixture. We strongly recommend that a licensed, professional electrician perform the installation.

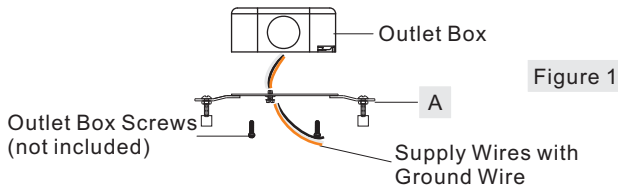
Disconnect fixture from power source before replacing bulbs. Make sure bulbs are given sufficient time to cool before removal.

Package Contents



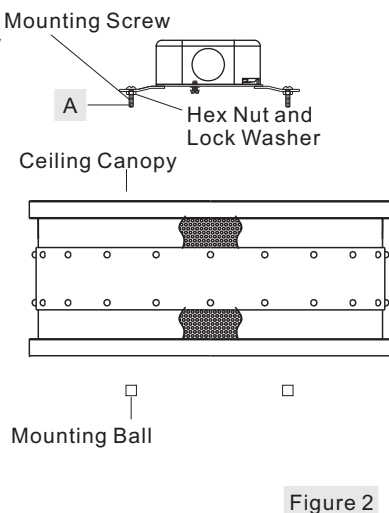
STEP 1 – Installing the Crossbar Assembly

A. Pass the supply wires from outlet box through the Crossbar Assembly (A). Attach the Crossbar Assembly (A) to the Outlet Box with the head of the Green Ground Screw facing you. Secure the Crossbar Assembly (A) with Outlet Box Screws (not included). Tighten until snug.



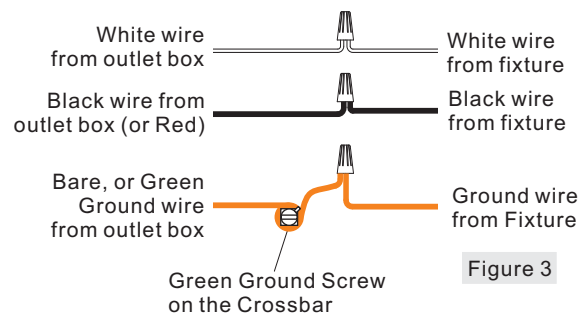
STEP 2 – Test Fitting Ceiling Canopy to Crossbar Assembly

A. Remove mounting balls from the Crossbar Assembly (A). Fit the Ceiling Canopy to the Crossbar Assembly (A) and secure with mounting balls. Note: The Ceiling Canopy should be snug against the ceiling and the mounting balls. If not, adjust the length of the nipple on the Crossbar Assembly (A) by unscrewing the preassembled hex nut and lock washer and then screwing the mounting screws in or out of the crossbar until the correct length is achieved. Once the Ceiling Canopy is secure, remove the mounting ball and Ceiling Canopy and proceed to Step 3.



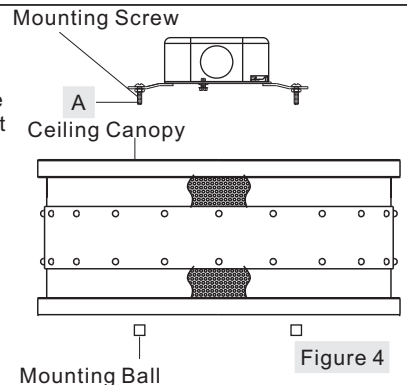
STEP 3 - Wire Connections

A. Wrap bare or green ground wire around green ground screw on the crossbar, no less than 2 inches from the end of the wire. Tighten the green ground screw.
B. Use standard wire connectors (not included) to make all wire connections. Twist connectors until wires are tightly joined together. Wrap each connection with approved electrical tape and carefully stuff all the connected wires into the Outlet Box.



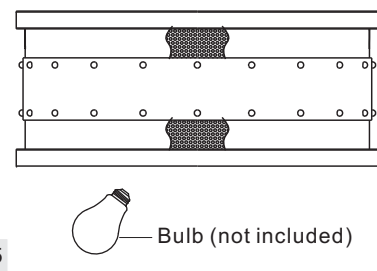
STEP 4 – Install the Fixture

A. Carefully tuck all wires into the outlet box and position the Ceiling Canopy over the outlet box. Align the holes in the ceiling canopy with the mounting screws, then attach the Ceiling Canopy using the previously removed mounting balls. Hand tighten until snug.



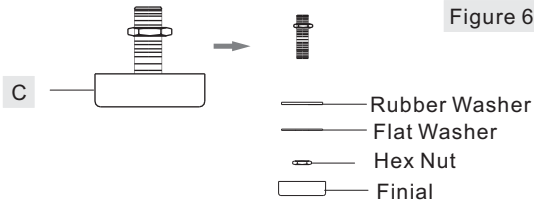
STEP 5 – Install the Bulb

A. Insert the bulb onto the socket and screw snugly into place.



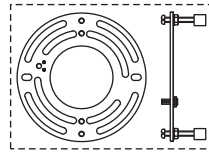
STEP 6 - Remove the finial

A. Remove the finial, hex nut, rubber washer and flat washer from the stem assembly.



RDE1613AWN

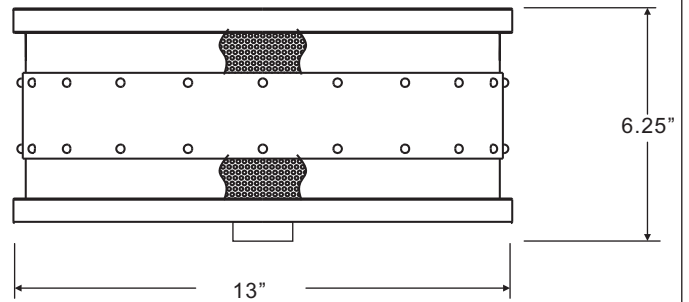
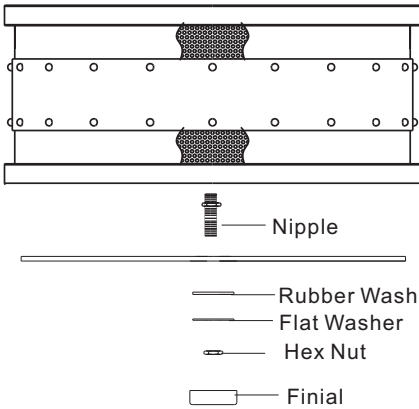
FINISH: AGED WALNUT



STEP 7 - Install the Diffuser

- a. Thread the nipple onto the coupling on fixture. Hand-tighten until snug.
- b. Place diffuser and the previously removed rubber washer and flat washer over the nipple. Secure with the previously removed hex nut. Hand-tighten until snug.
- c. Thread the finial onto the nipple. Hand-tighten until snug.

Your fixture is now assembled and ready to use. Enjoy!



NOTE: ALL DIMENSIONS ARE ROUNDED UP TO THE NEAREST 1/4"