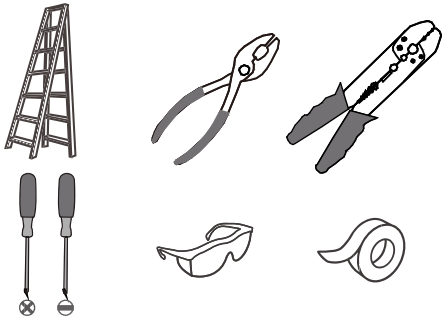
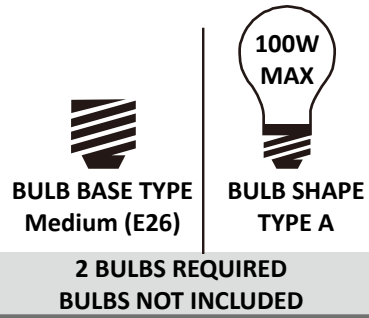


**Tools Required**



**Light Source**



**Warnings and Cautions**

Turn off the electricity at the circuit breaker before installation. Consult a licensed electrician if in doubt about installation.

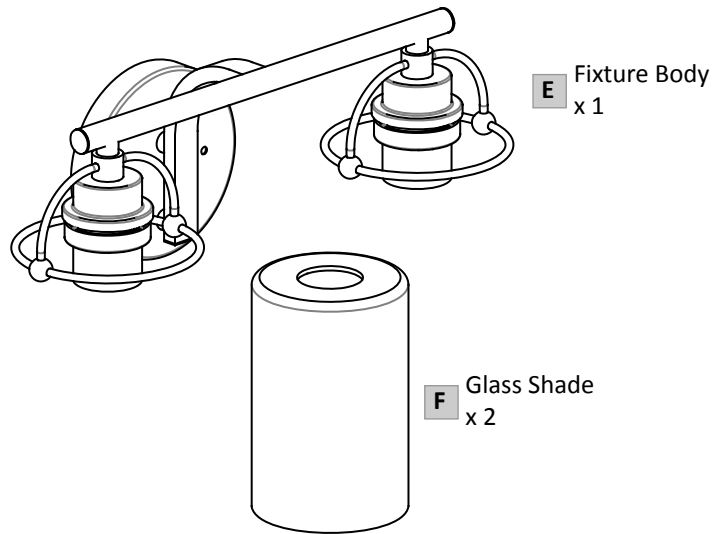
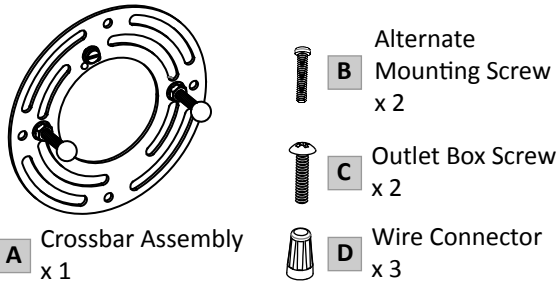
Turn off power to the fixture and allow the bulbs to cool before replacing.

**Package Contents**



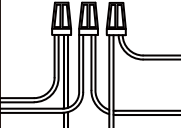
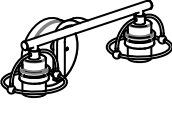
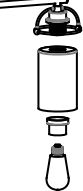
**Preparation:** Identify and inspect all parts before beginning the installation.

**Missing or damaged parts?** Contact your original place of purchase.

**PARTS BAG**

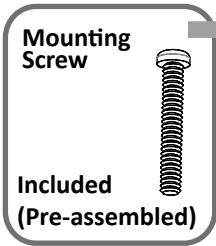


**Table of Contents**

Alternate Mounting Screw	Crossbar Assembly	Wiring	Fixture Body	Glass Shade & Bulb
				
<b>STEP 1</b>	<b>STEP 2</b>	<b>STEP 3</b>	<b>STEP 4</b>	<b>STEP 5</b>

# STEP 1

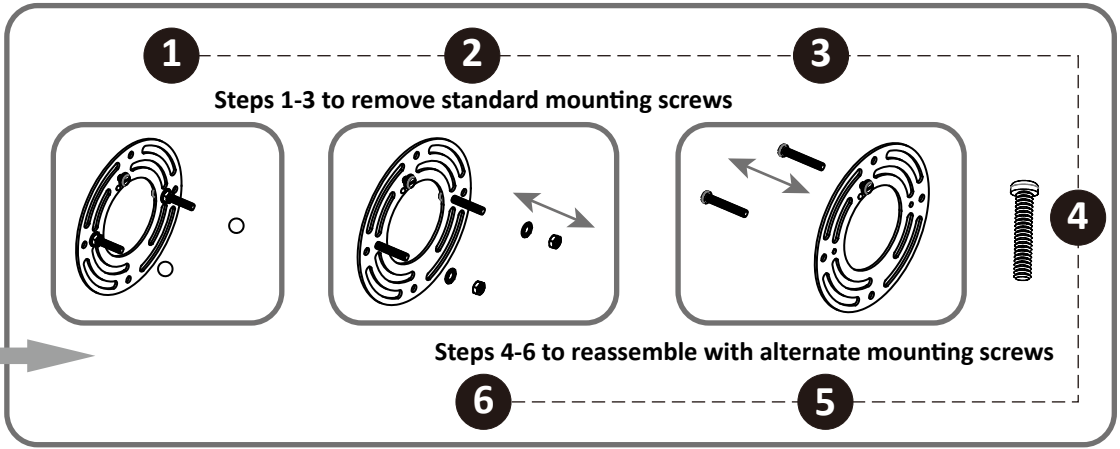
OPTION 1



OPTION 2



Skip to next step

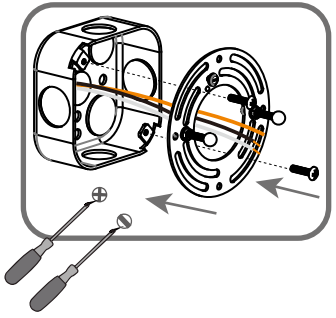


# STEP 2

1

Step 1

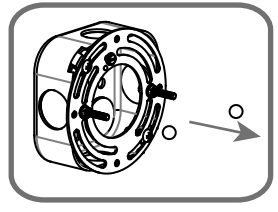
Install crossbar assembly



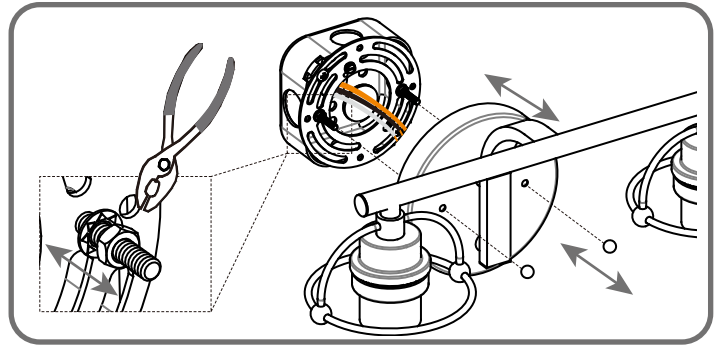
2

Step 2-3

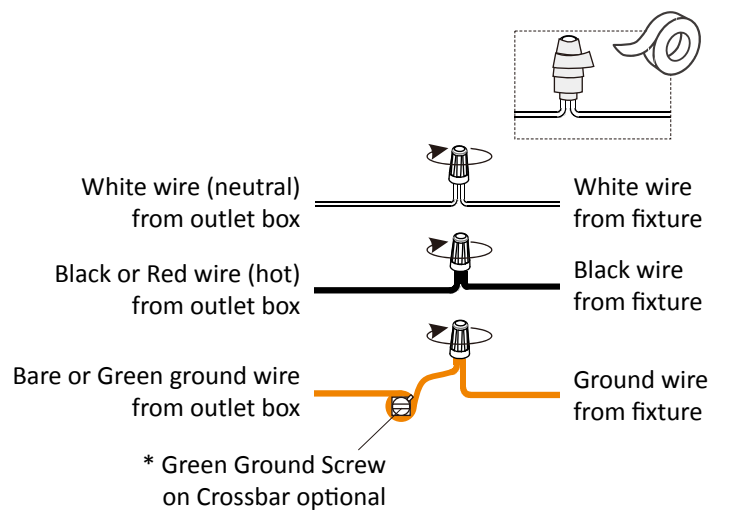
Tes fitting backplate to mounting screws



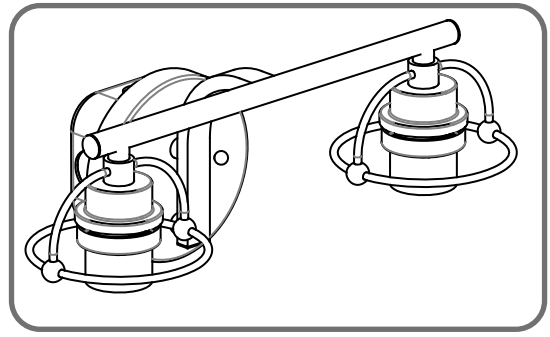
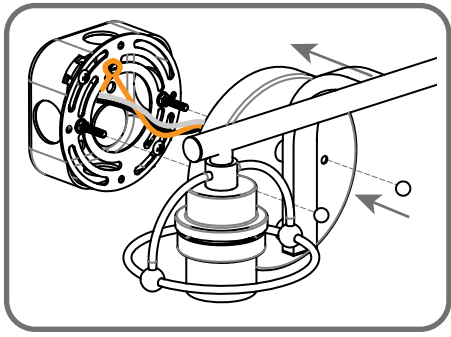
3



# STEP 3



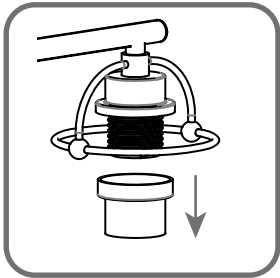
## STEP 4



## STEP 5

1

Remove socket collar



2

Install glass shade and bulb

