

Please go to www.quoizel.com for product cleaning tips. Go to the **Care + Maintenance** selection.

Tools Required: Flathead screwdriver, Phillips screwdriver, pliers, wire cutters, wire strippers, electrical tape, safety glasses.

Light Source: (4) Medium Base Bulbs 75W Maximum

Estimated Assembly Time: 20-30 minutes

Preparation: Identify and inspect all parts before beginning installation. Check package content list and diagrams below to ensure all parts are present. If any parts are missing or damaged, do not attempt to assemble, install, or operate the fixture. Contact customer service for replacement parts.

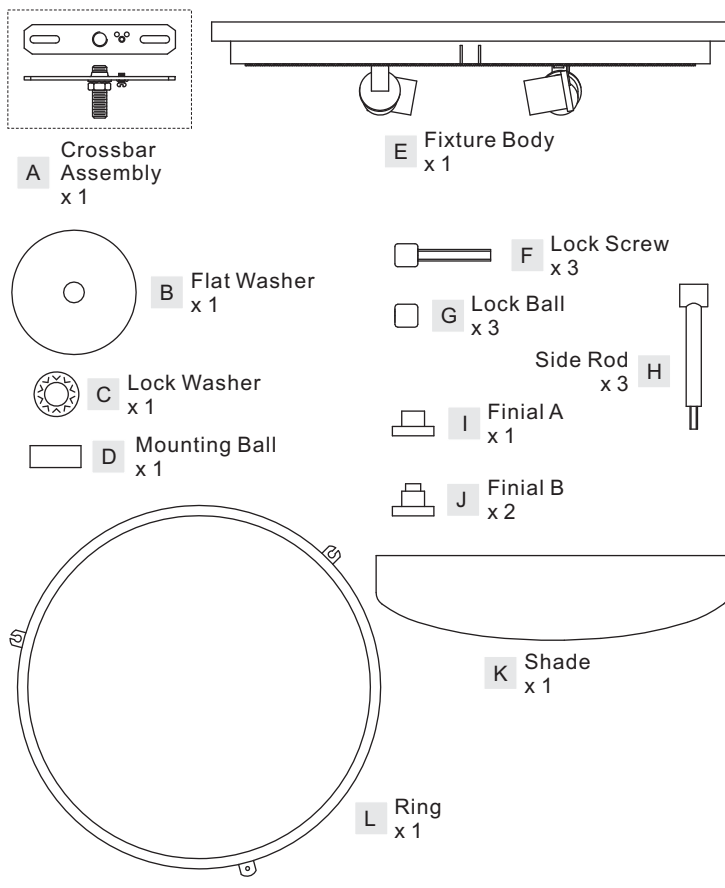
⚠ Warnings and Cautions

Turn off electricity at circuit breaker or main fuse box before installation. Consult a licensed electrician if in doubt.

These instructions are provided for your safety. It is very important you read them completely before installing the fixture. We strongly recommend that a licensed, professional electrician perform the installation.

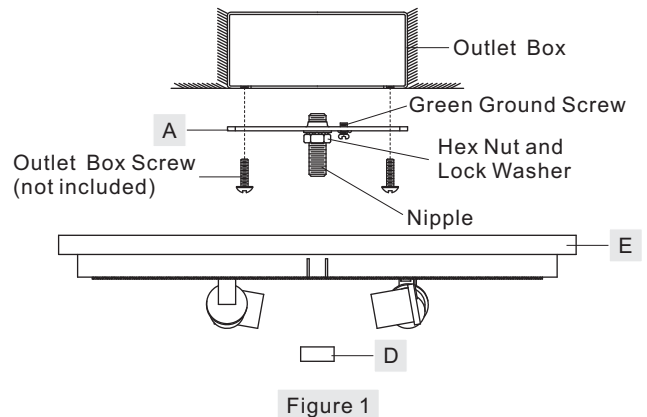
Disconnect fixture from power source before replacing bulbs. Make sure bulbs are given sufficient time to cool before removal.

Package Contents



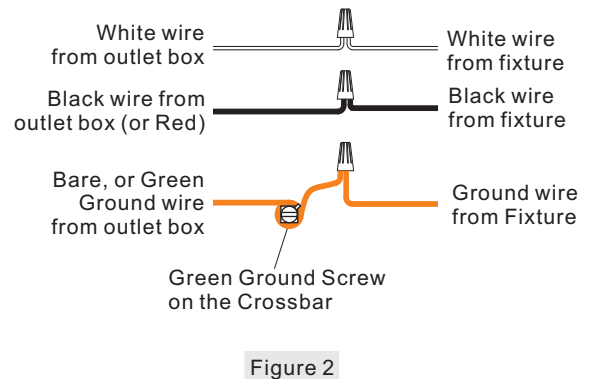
(Step 1 Continued)

Ball (D).
D. Remove the Mounting Ball (D) and the Fixture Body (E). Tighten the lock washer and the hex nut against the crossbar to secure in place.



STEP 2 - Wire Connections

A. Wrap bare or green ground wire around green ground screw on the crossbar, no less than 2 inches from the end of the wire. Tighten the green ground screw.
B. Use standard wire connectors (not included) to make all wire connections. Twist connectors until wires are tightly joined together. Wrap each connection with approved electrical tape and carefully stuff all the connected wires into the Outlet Box.



STEP 1 - Install the Crossbar Assembly to Outlet Box and Adjust the length of the Nipple

- Attach the Crossbar Assembly (A) to the Outlet Box with the head of the Green Ground Screw facing you. Secure it with Outlet Box Screws (not included), tighten until snug.
- Adjust the hex nut and lock washer underside of the crossbar to the middle of the nipple.
- Place the Fixture Body (E) over the nipple against the ceiling to determine the correct position of the nipple. Thread the Mounting Ball (D) onto the nipple. Adjust the nipple to allow the Fixture Body (E) to rest against the ceiling when held in place by the Mounting

Thank you for purchasing a Quoizel product.
Need assistance with parts or assembly? Call Quoizel customer service at 1-800-645-3184 or visit us on-line at www.quoizel.com

STEP 3 - Install Fixture Body

A. Carefully tuck all wires into the outlet box and position the Fixture Body (E) over the outlet box. Attach the Fixture Body (E), the Flat Washer (B) and the Lock Washer (C) over the nipple and secure with the Mounting Ball (D). Hand tighten until snug.

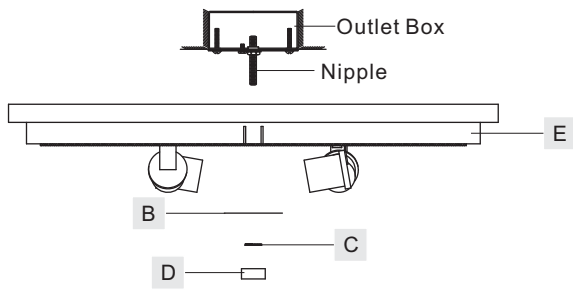


Figure 3

STEP 4 - Install Side Rods

A. Place Side Rod (H) between tabs on the side of the Fixture Body (E). Pass Lock Screws (F) through tabs and Side Rod (H) as shown. Secure by threading Lock Ball (G) onto Lock Screw (F). Do **NOT** tighten at this moment.

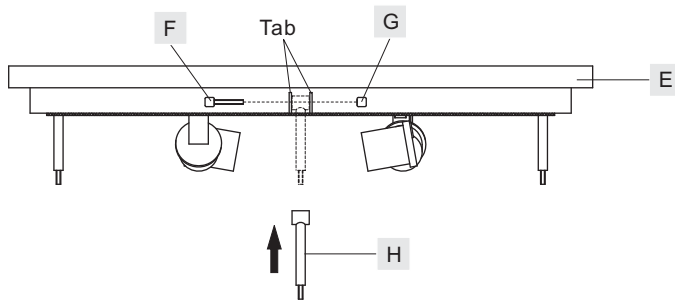


Figure 4

STEP 5 - Install Bulbs

A. Insert bulbs onto sockets and screw snugly into place.

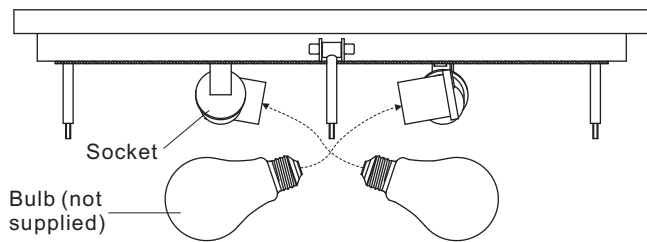


Figure 5

STEP 6 - Install Shade and Ring

A. Place the Shade (K) into the Ring (L).
 B. Lift the Ring (L) with Shade (K) upward. Attach tab with hole on the Ring (L) onto one Side Rod (H) first and secure with Finial A (I). Do not tighten at this moment.
 C. Attach tabs with slot hole on the Ring (L) over other Side Rods (H) and secure with Finial B (J).
 D. Tighten all Lock Balls (G) on the side of the Fixture Body (E) and hand tighten until snug.
 E. Tighten all Finials (I/J) on the bottom of the Ring (L) and hand tighten until snug.

Your fixture is now assembled and ready to use. Enjoy!

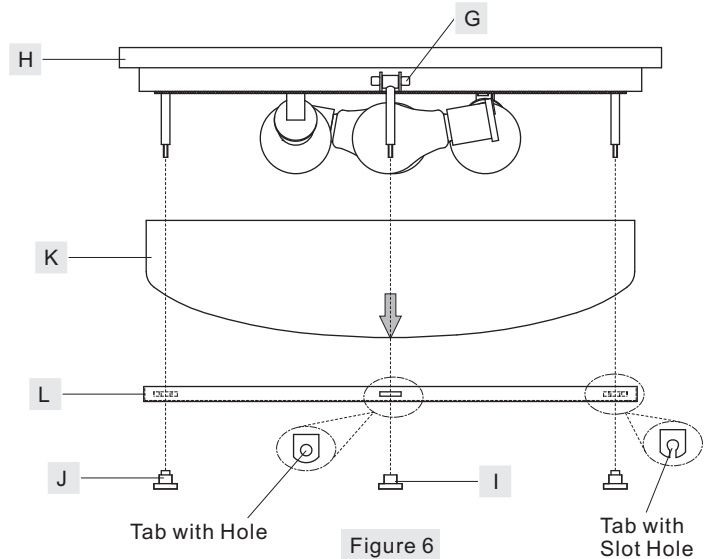
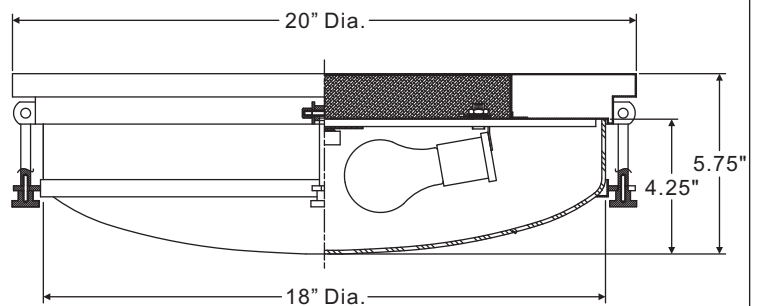
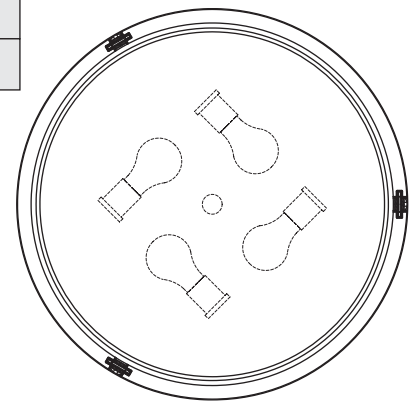
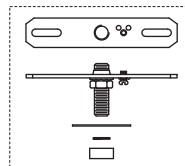


Figure 6

SLR1620AN

FINISH: ANTIQUE NICKEL



NOTE: ALL DIMENSIONS ARE ROUNDED UP TO THE NEAREST 1/4"

Thank you for purchasing a Quoizel product.
 Need assistance with parts or assembly? Call Quoizel customer service at 1-800-645-3184
 or visit us on-line at www.quoizel.com