

Please go to [www.quoise.com](http://www.quoise.com) for product cleaning tips. Go to the **Care + Maintenance** selection.

**Tools Required:** Flathead screwdriver, Phillips screwdriver, pliers, wire cutters, wire strippers, electrical tape, safety glasses, marking pen, 1/8" drill bit and drill.

**Light Source:** Integrated LED 24W

**Estimated Assembly Time:** 30-45 minutes

**Preparation:** Identify and inspect all parts before beginning installation. Check package content list and diagrams below to be sure all parts are present. If any parts are missing or damaged, do not attempt to assemble, install, or operate the fixture. Missing Parts? Contact your original place of purchase.

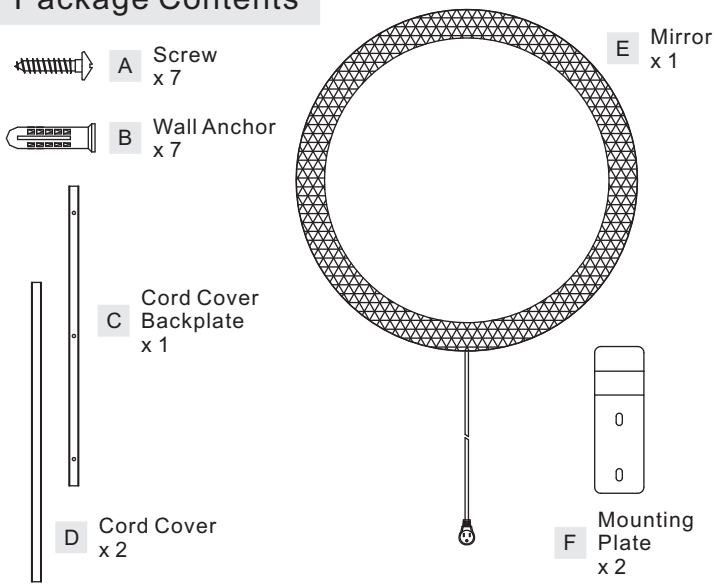
**Note:** *This mirror can be mounted over an electrical outlet box or on the wall and plugged into an outlet.*

### ⚠ Warnings and Cautions

Turn off electricity at circuit breaker or main fuse box before installation. Consult a licensed electrician if in doubt.

These instructions are provided for your safety. It is very important you read them completely before installing the fixture. We strongly recommend that a licensed, professional electrician perform the installation.

### Package Contents

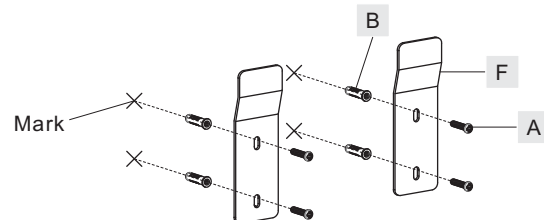


### (Step 1A Continued)

Place the template or the mirror on the wall in the location selected for the mirror. Make sure the template or mirror is level and in the correct position. Secure the template to the wall then mark the locations of the 4 wall anchors as indicated on the template. Remove the template from the wall.

### Step 2A - Installing 4 Wall Anchors and Screws

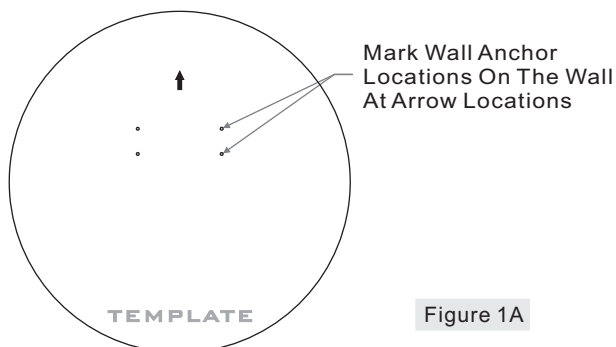
- Using a 1/8" drill bit, drill holes at each (4) locations marked on the wall surface.
- Insert Wall Anchors (B) into drilled holes completely.
- Attach Mounting Plates (F) to the Wall Anchors (B) and secure by threading Screws (A) into Wall Anchors (B). Hand tighten until snug with screwdrivers.



### DIRECT MOUNTING MIRROR TO THE WALL

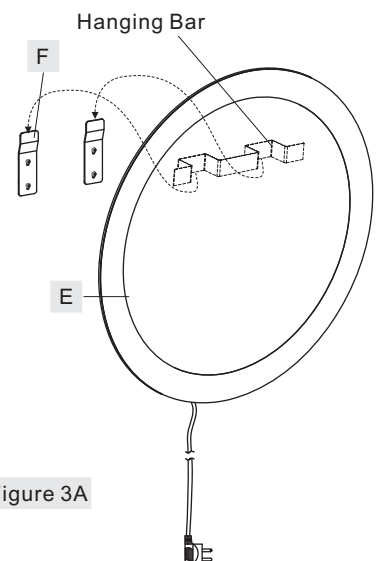
#### Step 1A - Identify Locations for Wall Anchors

- The template is provided to assist you in mounting the mirror. The template is a full size drawing of your mirror and includes the wall anchor mounting locations that can easily be transferred to the wall, or use the mirror.



#### STEP 3A - Hang Mirror

- With the help of another person place the hanging bar on the back of the Mirror (E) onto Mounting Plates (F). Making sure hanging bar is securely hung onto Mounting Plates (A) before letting go of the Mirror (E).



### STEP 4A - Install Cord Cover Backplate and Cover Covers

- Align the Cord Cover Backplate (C) to your desired location on the wall. Mark the mounting locations on the wall from the holes on the Cord Cover Backplate (C).
- Drill a hole for Wall Anchors (B) at each location identified with a 1/8" drill bit. Place the Wall Anchor (B) into each hole.
- Attach the Cord Cover Backplate (C) by using Screws (A). Tighten until snug with screwdrivers.
- Place the plug cord inside the Cord Cover Backplate (C). Press Cord Covers (D) onto the Cord Cover Backplate (C) in the desired location.

Clean glass with household glass cleaner. Your installation is completed and ready to use. Enjoy!

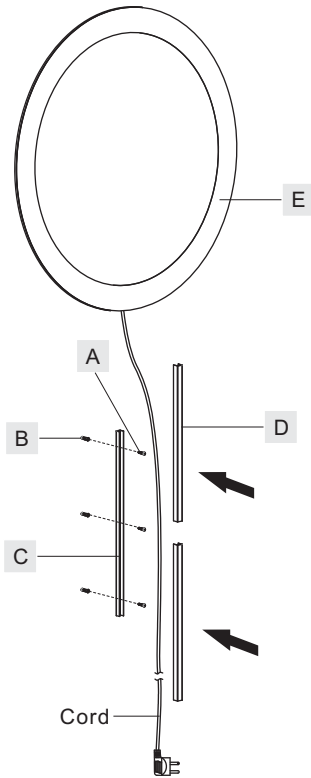


Figure 4A

### STEP 2B - Wire Connections

- Wrap bare or green ground wire around green ground screw on the crossbar, no less than 2 inches from the end of the wire. Tighten the green ground screw.
- Strip back the wire covering the 3 fixture wires as far as you need to. This will expose each fixture wire individually. Strip each end of 2 fixture wires.
- Use standard wire connectors (not included) to make all wire connections. Twist connectors until wires are tightly joined together. Wrap each connection with approved electrical tape and carefully stuff all the connected wires into the Outlet Box.

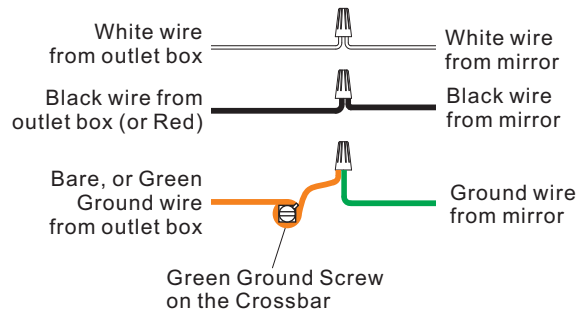


Figure 2B

Clean glass with household glass cleaner. Your installation is completed and ready to use. Enjoy!

### DIRECT WIRE OVER AN ELECTRICAL OUTLET BOX

#### Step 1B - Cut Cord

- Use wire cutter, cut the cord near the mirror backplate and discard the plug end. Carefully pull the other end of the cord into the mirror backplate.
- Determine the electrical outlet box location behind the mirror. Leave approximately 8" cord extending to the outlet box location.
- Go to Step 2B to connect wires.
- Go to Steps 1A - 3A to mount the mirror to the wall.

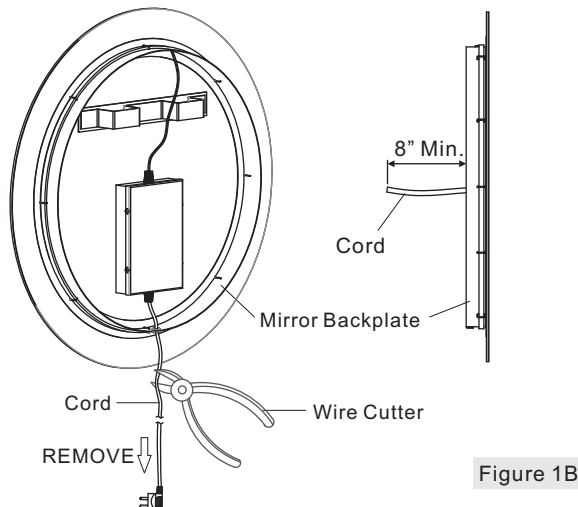
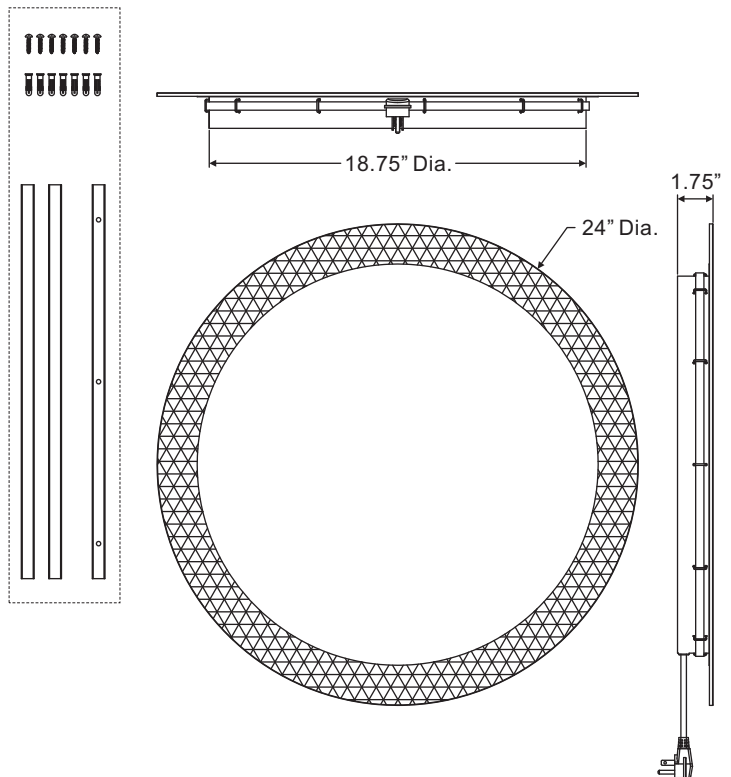


Figure 1B

QR3701



NOTE: ALL DIMENSIONS ARE ROUNDED UP TO THE NEAREST 1/4"