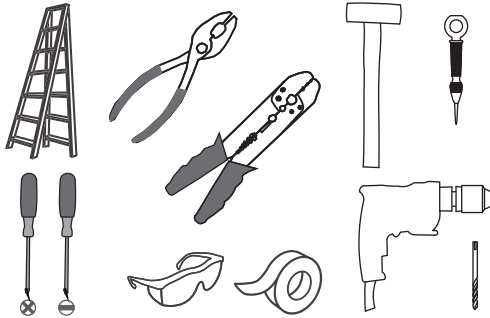
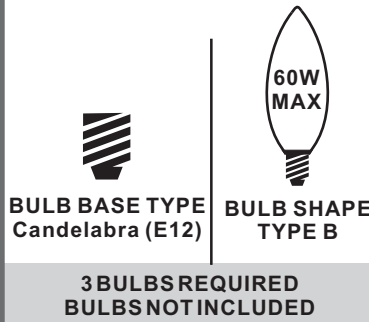


Tools Required



Light Source



Warnings and Cautions

Turn off the electricity at the circuit breaker before installation. Consult a licensed electrician if in doubt about installation.



Turn off power to the fixture and allow the bulbs to cool before replacing.

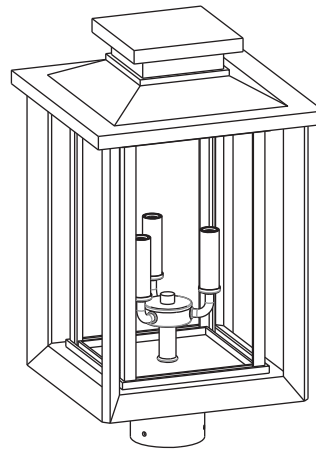
Package Contents

Preparation: Identify and inspect all parts before beginning the installation.

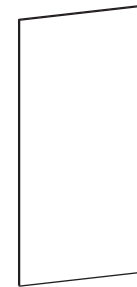
Missing or damaged parts? Contact your original place of purchase.

PARTS BAG

-  **A** Mounting Screw x 3
-  **B** Wire Connector x 3

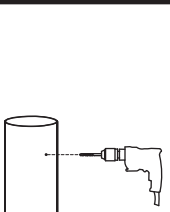
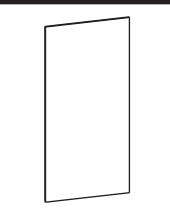
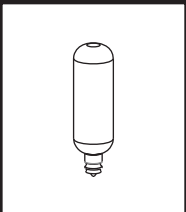
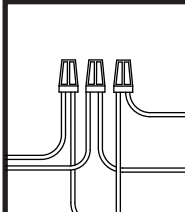
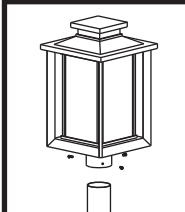


C Fixture Body x 1



D Glass Panel x 4

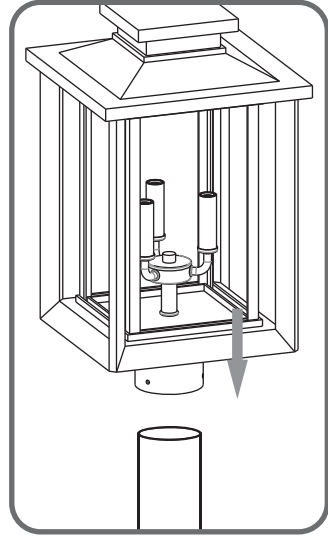
Table of Contents

| Drill Holes | Glass Panel | Bulbs | Wiring | Fixture Body |
|---|---|--|---|---|
|  |  |  |  |  |
| STEP 1 | STEP 2 | STEP 3 | STEP 4 | STEP 5 |

STEP 1

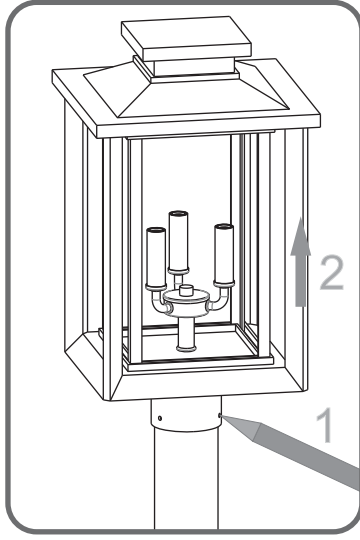
1

Step 1
Place Post Fitter to Post

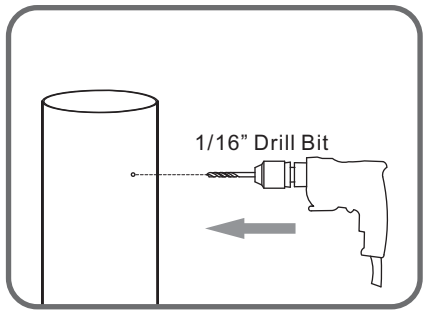
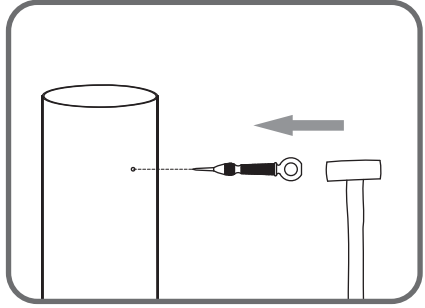


2

Step 2-3
Mark Mounting Holes Location on Post



3



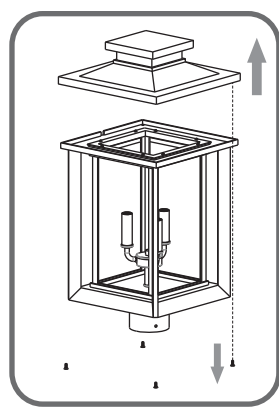
Step 4
Drill Holes

4

STEP 2

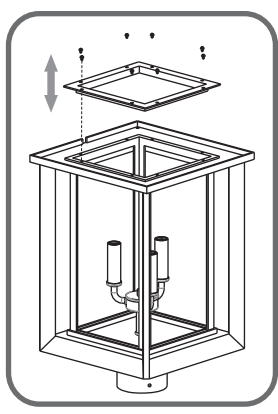
1

Remove fixture hood



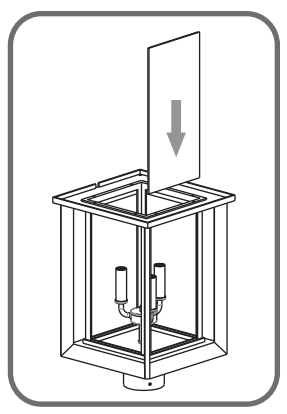
2

Remove glass panel holder



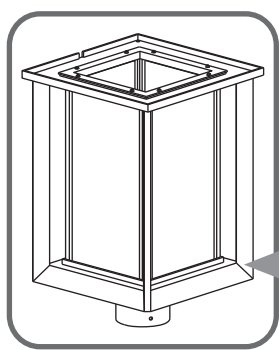
3

Install glass panel



Install glass panel holder

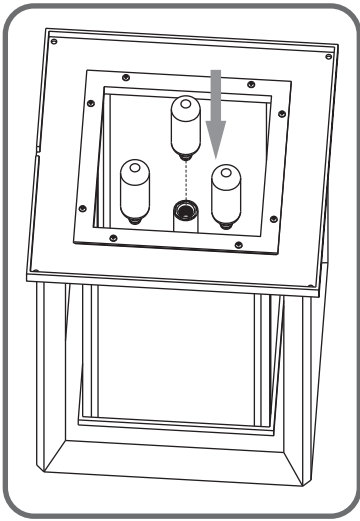
4



STEP 3

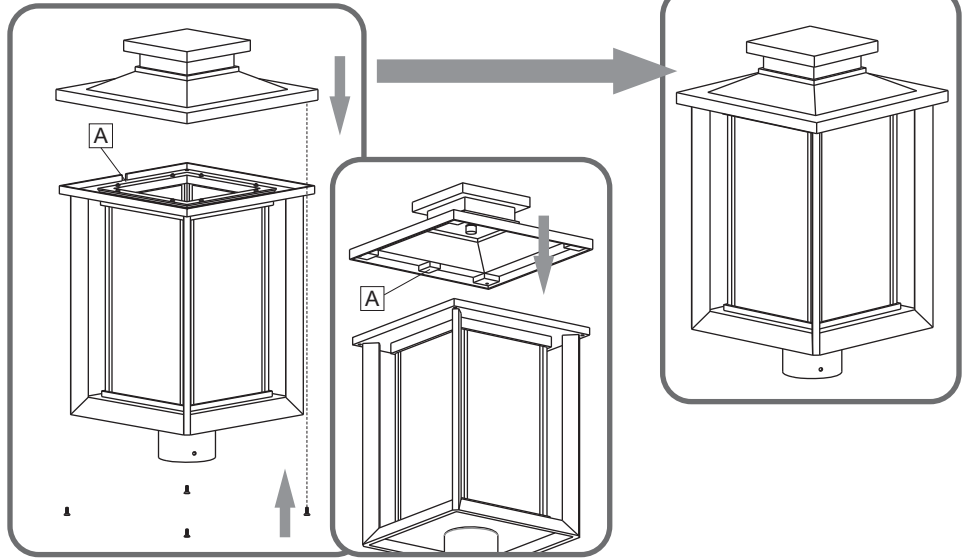
1

Install bulbs

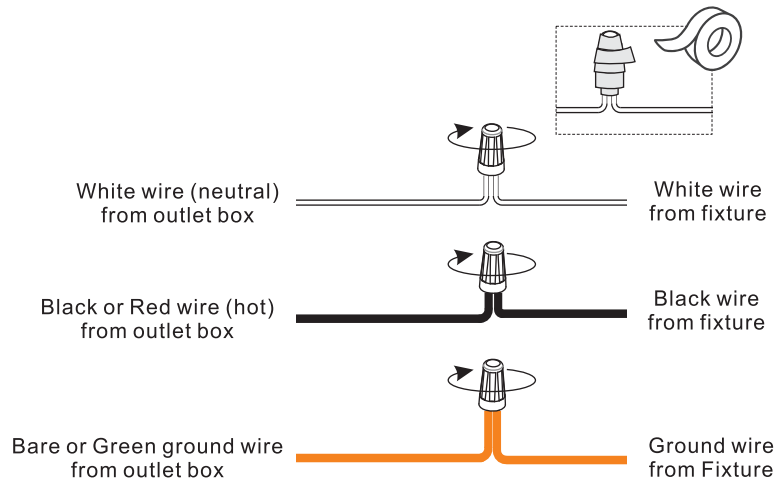


2

Install fixture hood



STEP 4



STEP 5

