

Please go to www.quoizel.com for product cleaning tips. Go to the **Care + Maintenance** selection.

Tools Required: Flathead screwdriver, Phillips screwdriver, pliers, wire cutters, wire strippers, electrical tape, safety glasses.

Light Source: (6) B10 Candelabra Base Bulbs 60W Maximum or

(6) Candelabra Base Vintage T8 bulbs are recommended but not supplied.

Estimated Assembly Time: 30-45 minutes

Preparation: Identify and inspect all parts before beginning installation. Check package content list and diagrams below to be sure all parts are present. If any parts are missing or damaged, do not attempt to assemble, install, or operate the fixture. Contact customer service for replacement parts.

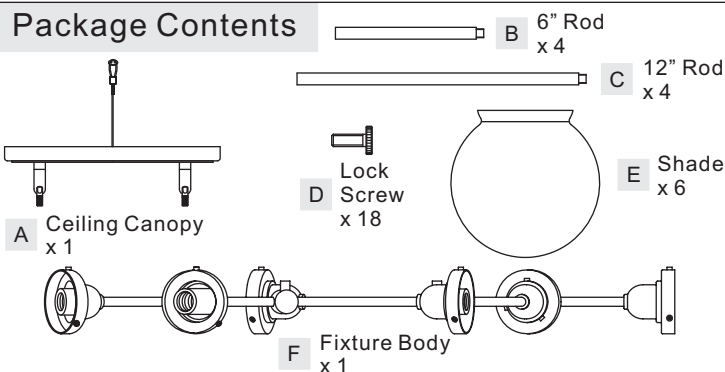
⚠ Warnings and Cautions

Turn off electricity at circuit breaker or main fuse box before installation. Consult a licensed electrician if in doubt.

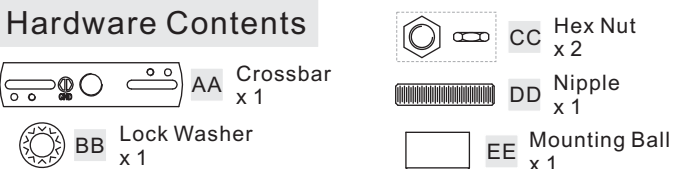
These instructions are provided for your safety. It is very important you read them completely before installing the fixture. We strongly recommend that a licensed, professional electrician perform the installation.

Disconnect fixture from power source before replacing bulbs. Make sure bulbs are given sufficient time to cool before removal.

Package Contents



Hardware Contents



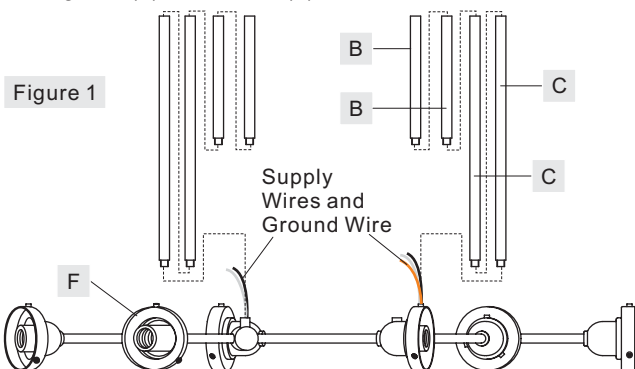
STEP 1 - Install Rods to Fixture Body

- Determine Rods (B/C) to be assembled to Fixture Body (F) according to your hanging height.
- Pass the supply wires and ground wire through the chosen rods (B/C). Thread Fixture Body (F) and the chosen Rods (B/C) and Hand tighten until snug.

Suggested rods for Ceiling height :

8' ceiling: use (1) 6" rod and (2) 12" rods

9' ceiling: use (2) 6" rods and (2) 12" rods



STEP 2 - Install the Crossbar to the junction box

- Attach the Crossbar (AA) to the Outlet Box with the head of the Green Ground Screw facing you. Secure it with Outlet Box Screws (not included), tighten until snug.

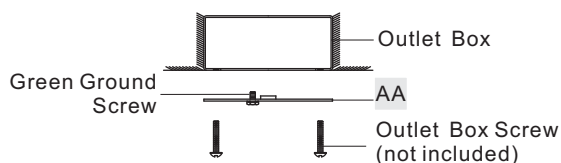


Figure 2

STEP 3 - Install Nipple to Crossbar

- Thread one Hex Nut (CC) to the middle of the Nipple (DD). Place the Lock Washer (BB) over the Nipple (DD) and then thread the Nipple (DD) into the Crossbar (AA) until the Nipple (DD) is about 0.375" above the Crossbar (AA).
- Place the Ceiling Canopy (A) over the Nipple (DD) against the ceiling to determine the correct position of the Nipple (DD). Thread the Mounting Ball (EE) onto the Nipple (DD). Adjust the Nipple (DD) to allow the Ceiling Canopy (A) to rest against the ceiling when held in place by the Mounting Ball (EE).
- Remove the Mounting Ball (EE) and the Ceiling Canopy (A) and then tighten the Hex Nut (CC) against the Crossbar (AA) to secure in place.

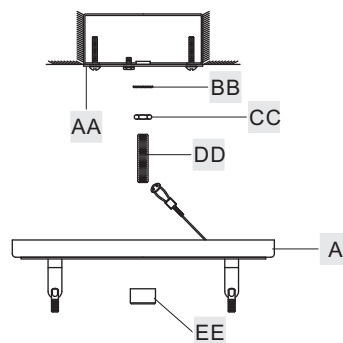


Figure 3

Thank you for purchasing a Quoizel product.
Need assistance with parts or assembly? Call Quoizel customer service at 1-800-645-3184
or visit us on-line at www.quoizel.com

STEP 4 - Install Ceiling Canopy to Rod

- Unlock hex nuts and remove swivels from the ceiling canopy.
- Pass supply wires and ground wire through swivels, plate, ceiling canopy, lanyard, lock washers and hex nuts as shown in the illustration.
- Thread swivels onto upper rods and hand tighten until snug.
- Place the plate, the ceiling canopy, lanyard and lock washers onto the top end of swivels and secure with hex nuts. Hand tighten until snug with pliers.

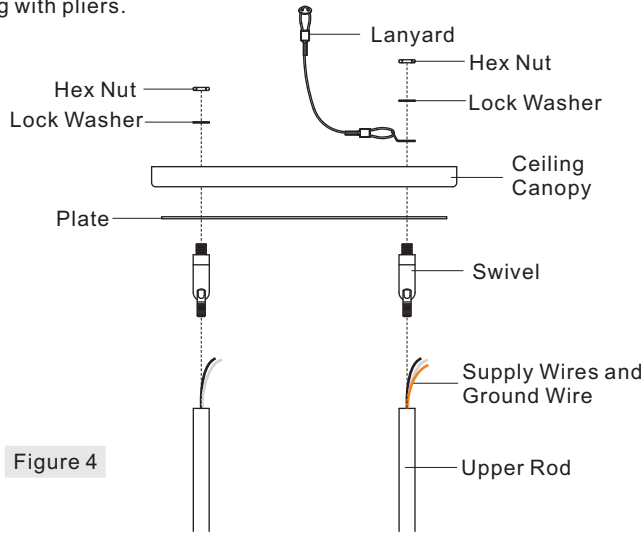


Figure 4

STEP 5 - Attach the Lanyard

- The purpose of the lanyard is to provide a means to support the fixture hands free from the junction box while connecting the electrical wires.
- Turn the Button Stop so it may be inserted into a Crossbar slot.

Make sure the Button Stop is completely inside the Crossbar. Slowly release the fixture to make sure it is supported by the Button Stop. Proceed to the wiring steps in the next step. Once you are complete with the wiring, the Lanyard will push into the junction box when the fixture is placed for final mounting.

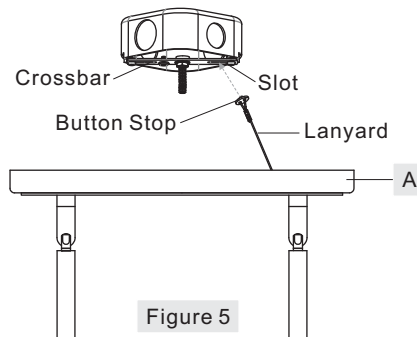


Figure 5

STEP 6 - Wire Connections

- Wrap bare or green ground wire around green ground screw on the crossbar, no less than 2 inches from the end of the wire. Tighten the green ground screw.
- Use standard wire connectors (not included) to make all wire connections. Twist connectors until wires are tightly joined together. Wrap each connection with approved electrical tape and carefully stuff all the connected wires into the Outlet Box.

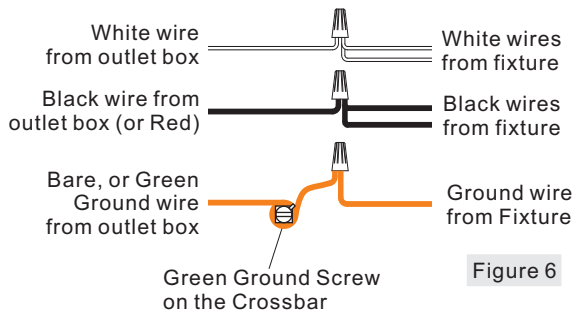


Figure 6

STEP 7 - Install Ceiling Canopy to Ceiling

- Attach the Ceiling Canopy (A) over the end of the Nipple (DD) and secure with the Hex Nut (CC). Hand tighten until snug.
- Thread the Mounting Ball (EE) onto the end of the Nipple (DD) and hand tighten until snug.

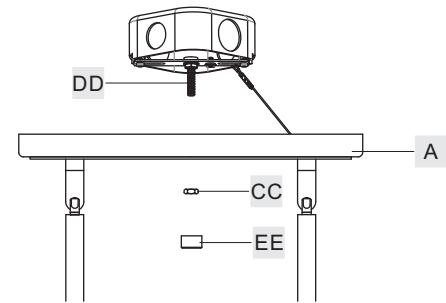
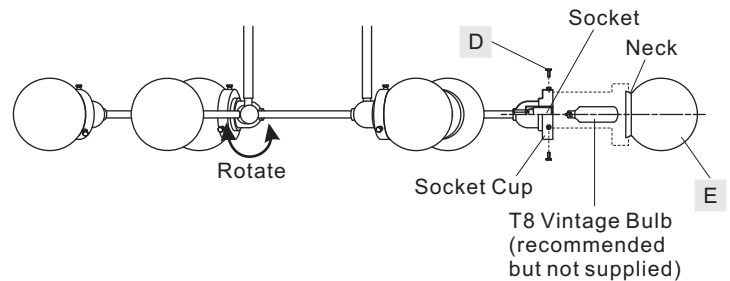


Figure 7

STEP 8 - Install Bulb and Shade

- Insert bulb onto socket and screw snugly into place.
- Place the Shade (E) onto the socket cup and secure by threading Lock Screws (D) onto the socket cup until the neck of the Shade (E) is engaged by Lock Screws (D). Carefully released your hands until all Lock Screws (D) screw snugly in place.
- Rotate (2) adjustable support arms to your desired directions.

Your fixture is now assembled and ready to use. Enjoy!



T8 Vintage Bulb (recommended but not supplied)

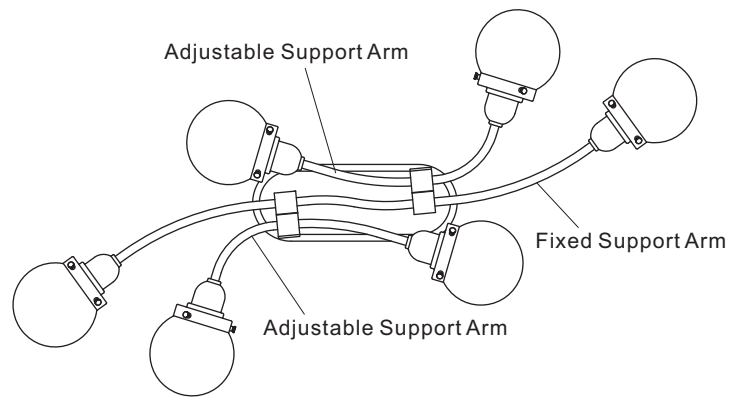


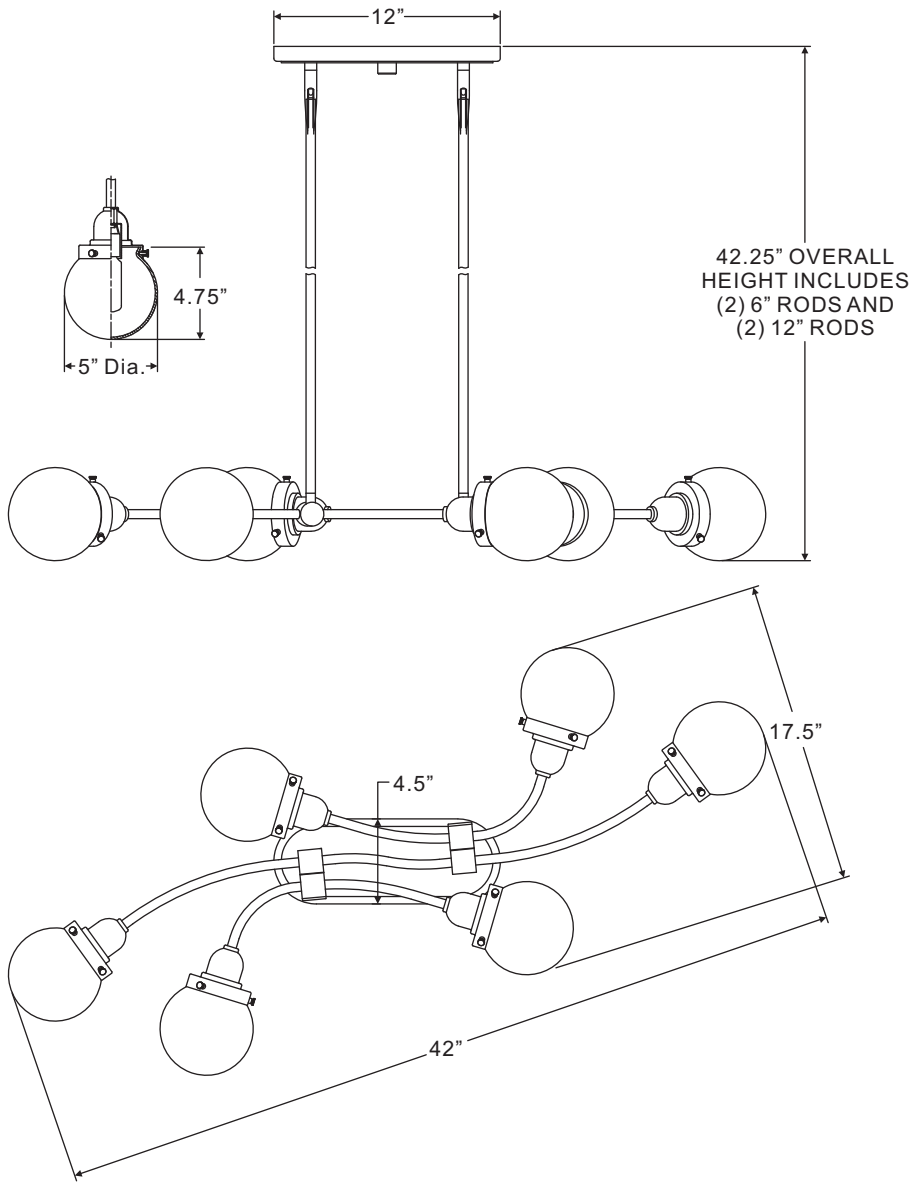
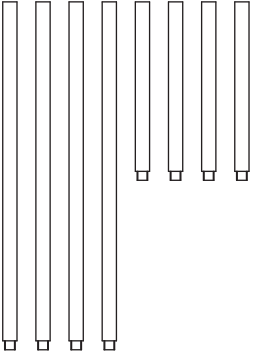
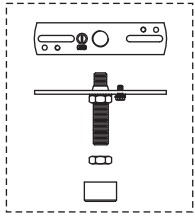
Figure 8

Thank you for purchasing a Quoizel product.
Need assistance with parts or assembly? Call Quoizel customer service at 1-800-645-3184
or visit us on-line at www.quoise.com

TNC642EK

FINISH: EARTH BLACK

NOTE: ALL DIMENSIONS ARE ROUNDED UP TO THE NEAREST 1/4"



Thank you for purchasing a Quoizel product.
Need assistance with parts or assembly? Call Quoizel customer service at 1-800-645-3184
or visit us on-line at www.quoise.com