

Please go to [www. quozel. com](http://www. quozel. com) for product cleaning tips. Go to the **Care + Maintenance** selection.

**Tools Required:** Flathead screwdriver, Phillips screwdriver, pliers, wire cutters, wire strippers, electrical tape, safety glasses.

**Light Source:** (1) LED G9 4.5W Bulb

**Estimated Assembly Time:** 20-30 minutes

**Preparation:** Identify and inspect all parts before beginning installation. Check package content list and diagrams below to be sure all parts are present. If any parts are missing or damaged, do not attempt to assemble, install, or operate the fixture. Contact customer service for replacement parts.

Please go to [Quozel. com](http://Quozel. com) to see the G9 LED bulb specifications provided with your fixture.

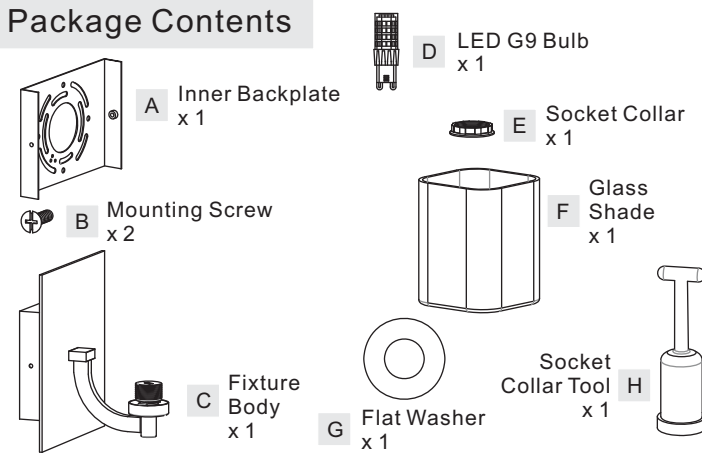
**⚠ Warnings and Cautions**

Turn off electricity at circuit breaker or main fuse box before installation. Consult a licensed electrician if in doubt.

These instructions are provided for your safety. It is very important you read them completely before installing the fixture. We strongly recommend that a licensed, professional electrician perform the installation.

Disconnect fixture from power source before replacing bulbs. Make sure bulbs are given sufficient time to cool before removal.

**Package Contents**



**(Step 2 Continued)**

connections. Twist connectors until wires are tightly joined together. Wrap each connection with approved electrical tape and carefully stuff all the connected wires into the Outlet Box.

**STEP 3 – Install Fixture Body**

A. Place the backplate of the Fixture Body (C) onto the Inner Backplate (A). Line up holes on the side of the backplate and the mounting holes on the side of the Inner Backplate (A). Secure them together by threading Mounting Screws (B) into the mounting holes on the Inner Backplate (A). Hand tighten until snug.

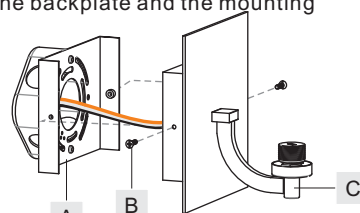


Figure 3

**STEP 1 – Attach Inner Backplate to Outlet Box**

A. Secure the Inner Backplate (A) to the outlet box with outlet box screws (not supplied). Tighten until snug.  
 \* Pliers is required on this step.

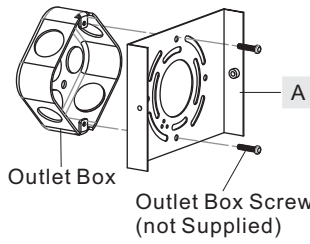


Figure 1

**STEP 4 – Install Glass Shade**

A. Place the Glass Shade (F) and the Flat Washer (G) over the Socket as shown. By using the Socket Collar Tool (H), thread the Socket Collar (E) onto the socket to secure the Glass Shade (F). Hand tighten until snug.

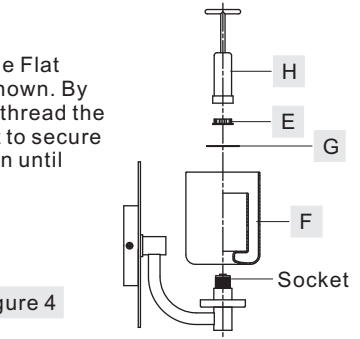


Figure 4

**STEP 2 - Wire Connections**

A. Use standard wire connectors (not included) to make all wire

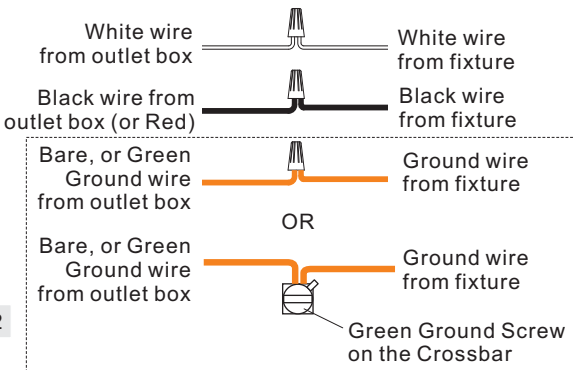


Figure 2

**STEP 5 – Install Bulbs**

A. Install either the G9 Xenon bulb as specified (not provided) or install the G9 LED bulbs (provided) if the fixture purchased is the LED model.

**Note:** This fixture is rated to use 50W maximum G9 Xenon bulbs.

Your fixture is now assembled and ready to use. Enjoy!

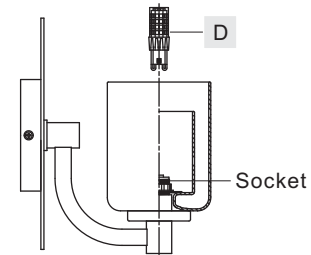


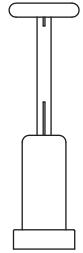
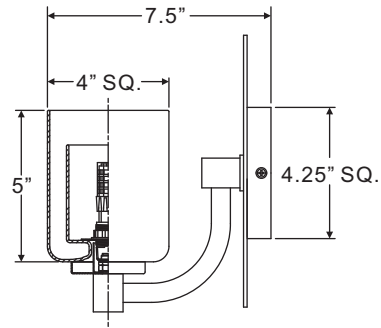
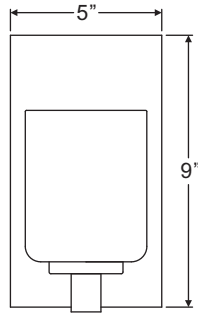
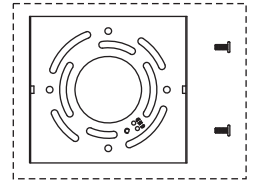
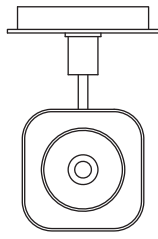
Figure 5

**Thank you for purchasing a Quozel product.**  
**Need assistance with parts or assembly? Call Quozel customer service at 1-800-645-3184**  
**or visit us on-line at [www. quozel. com](http://www. quozel. com)**

KLT8601WTLED

FINISH: WESTERN BRONZE

NOTE: ALL DIMENSIONS ARE ROUNDED UP TO THE NEAREST 1/4"



Thank you for purchasing a Quoizel product.  
Need assistance with parts or assembly? Call Quoizel customer service at 1-800-645-3184  
or visit us on-line at [www.quoise.com](http://www.quoise.com)