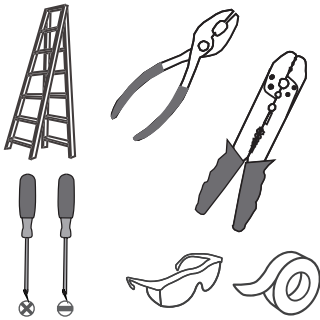
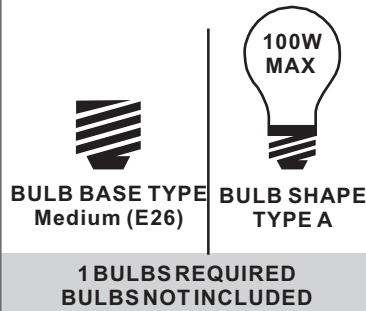


**Tools Required**



**Light Source**



**Warnings and Cautions**

Turn off the electricity at the circuit breaker before installation. Consult a licensed electrician if in doubt about installation.




Turn off power to the fixture and allow the bulbs to cool before replacing.

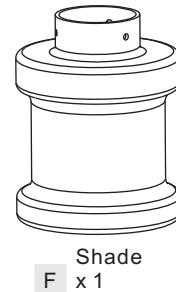
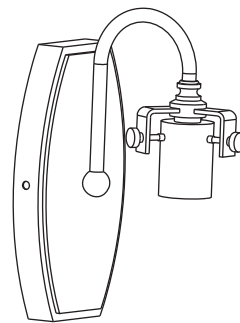
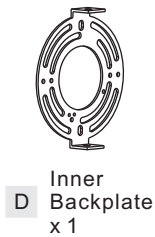
**Package Contents**

**Preparation:** Identify and inspect all parts before beginning the installation.


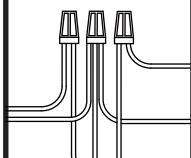
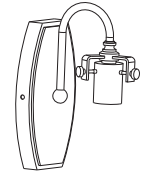

Missing or damaged parts? Contact your original place of purchase.

**PARTS BAG**

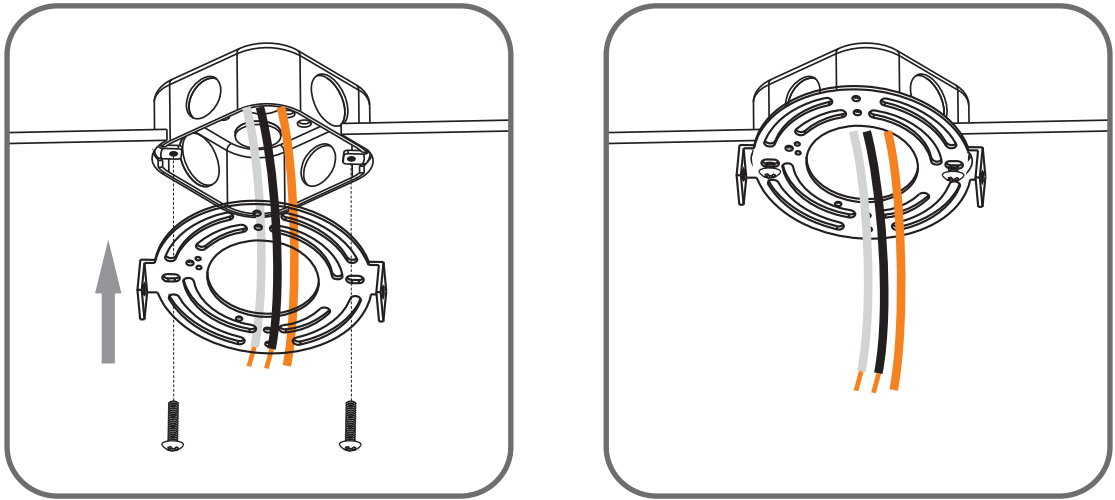
-  **A** Mounting Screw x 2
-  **B** Outlet Box Screw x 2
-  **C** Wire Connector x 3



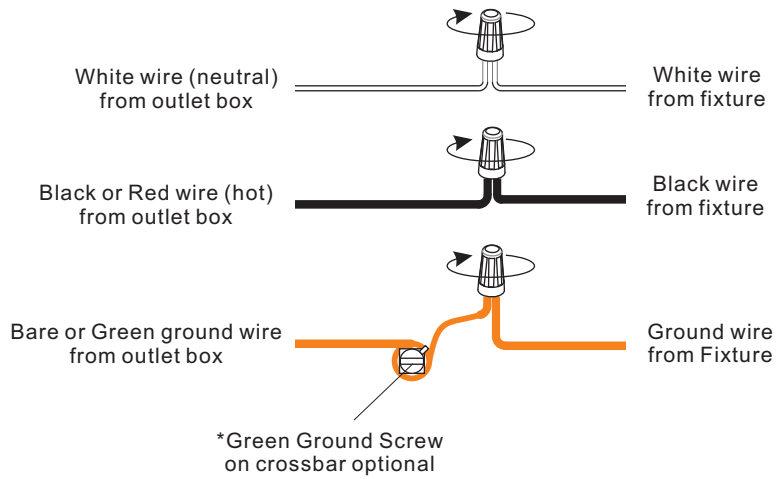
**Table of Contents**

Inner Backplate	Wiring	Fixture Body	Shade & Bulb
			
<b>STEP 1</b>	<b>STEP 2</b>	<b>STEP 3</b>	<b>STEP 4</b>

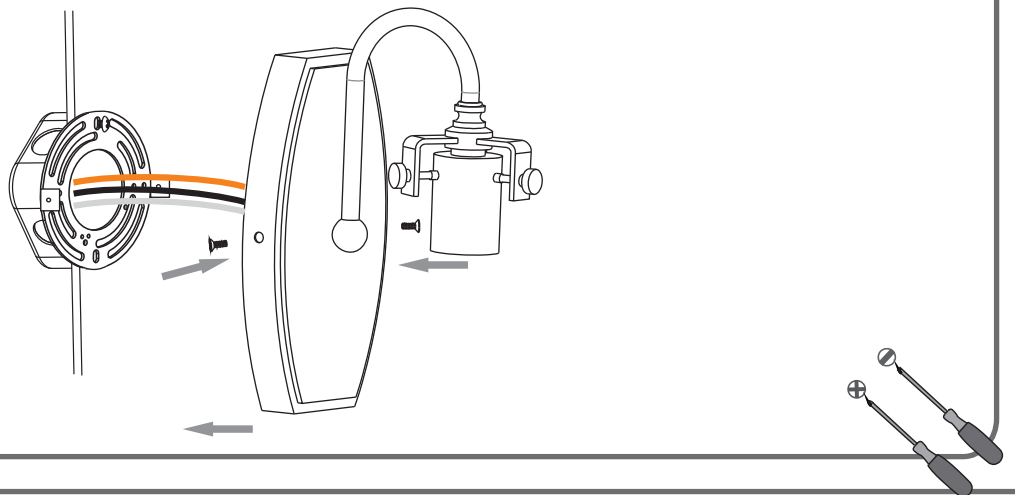
## STEP 1



## STEP 2

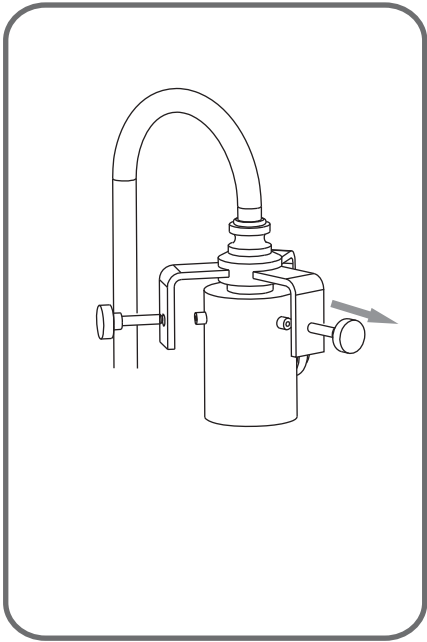


## STEP 3



STEP 4

1



2

