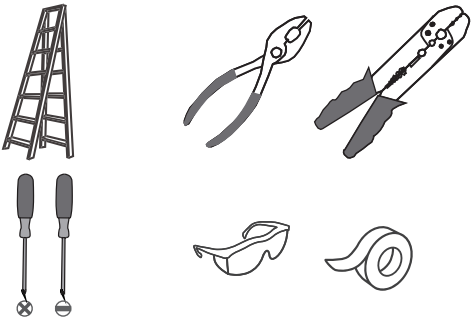
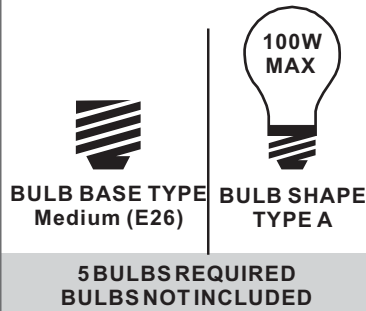


**Tools Required**



**Light Source**



**Fixture Height Adjustable  
25" to 61"**

**⚠ Warnings and Cautions**

Turn off the electricity at the circuit breaker before installation. Consult a licensed electrician if in doubt about installation.

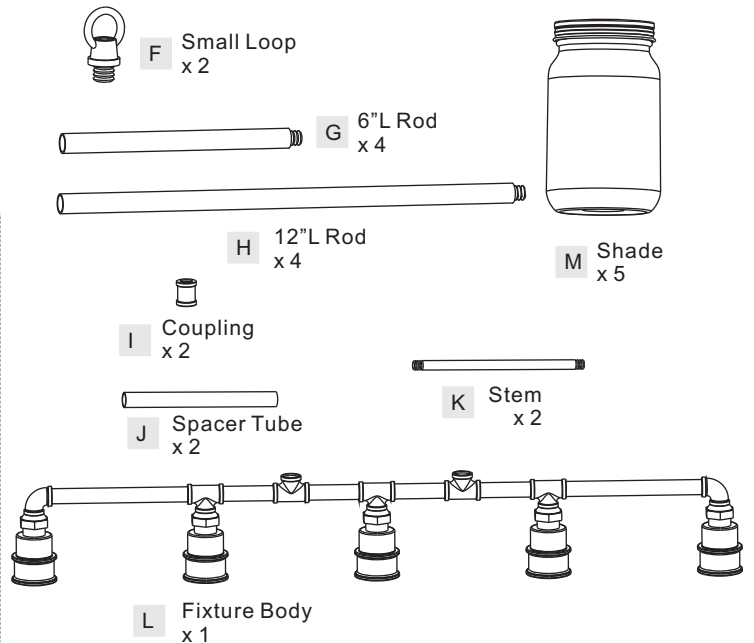
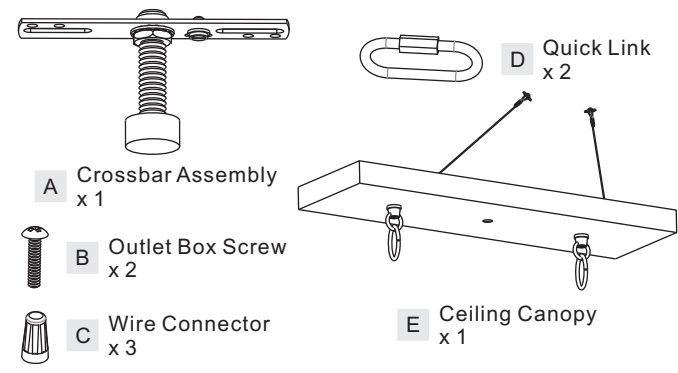
Turn off power to the fixture and allow the bulbs to cool before replacing.

**Package Contents**

**Preparation:** Identify and inspect all parts before beginning the installation.

Missing or damaged parts? Contact your original place of purchase.

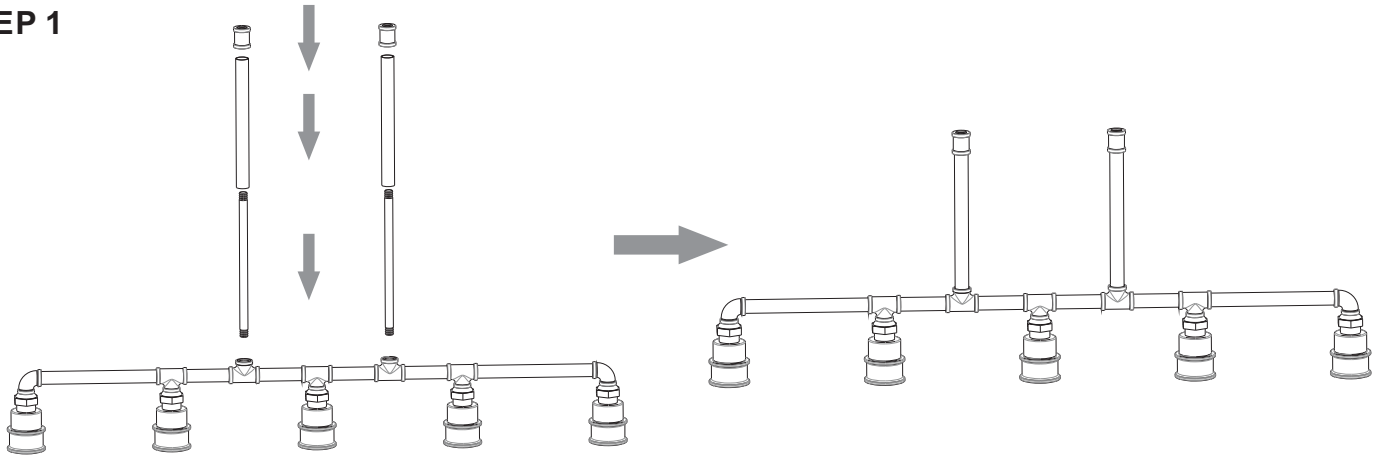
**PARTS BAG**



**Table of Contents**

<b>Fixture Body</b>  <b>STEP 1</b>	<b>Rods&amp;Small Loop</b>  <b>STEP 2</b>	<b>Crossbar Assembly</b>  <b>STEP 3</b>	<b>Quick Link</b>  <b>STEP 4</b>
<b>Lanyard</b>  <b>STEP 5</b>	<b>Wiring</b>  <b>STEP 6</b>	<b>Ceiling Canopy</b>  <b>STEP 7</b>	<b>Bulb&amp;Shade</b>  <b>STEP 8</b>

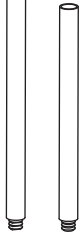
### STEP 1



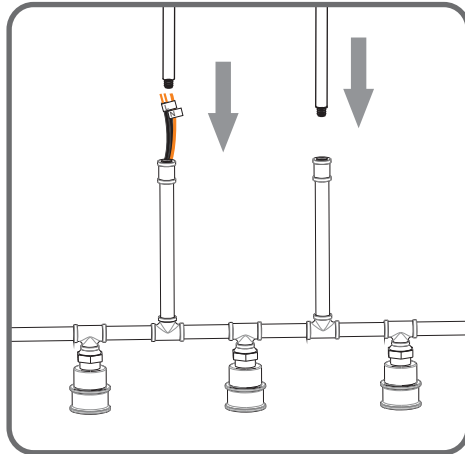
### STEP 2

#### Optional Rods

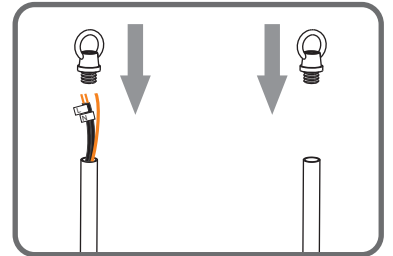
- 8' ceiling:  
(4) 6"L rods
- 9' ceiling:  
(4) 6"L + (2) 12"L rods
- 10' ceiling:  
(4) 6"L + (4) 12"L rods



1



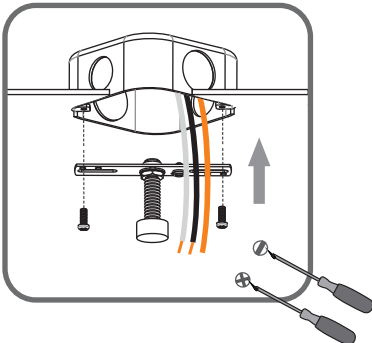
2



### STEP 3

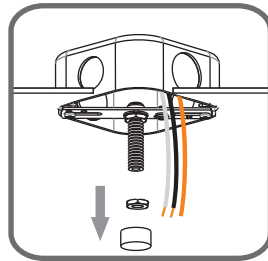
1

Step 1  
Install crossbar assembly

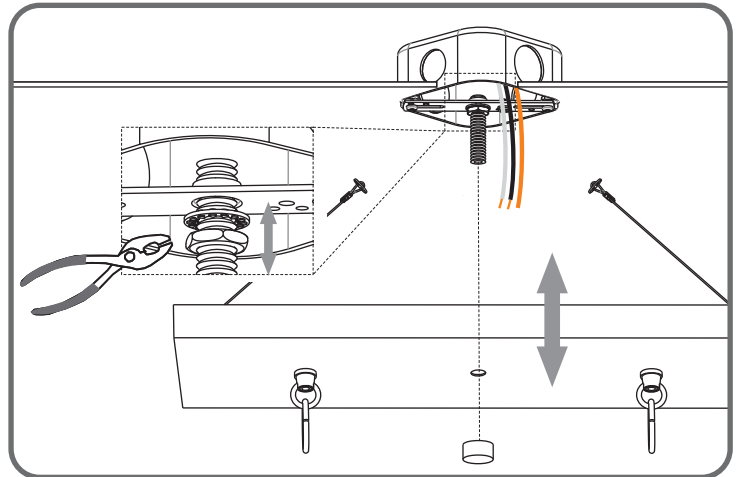


2

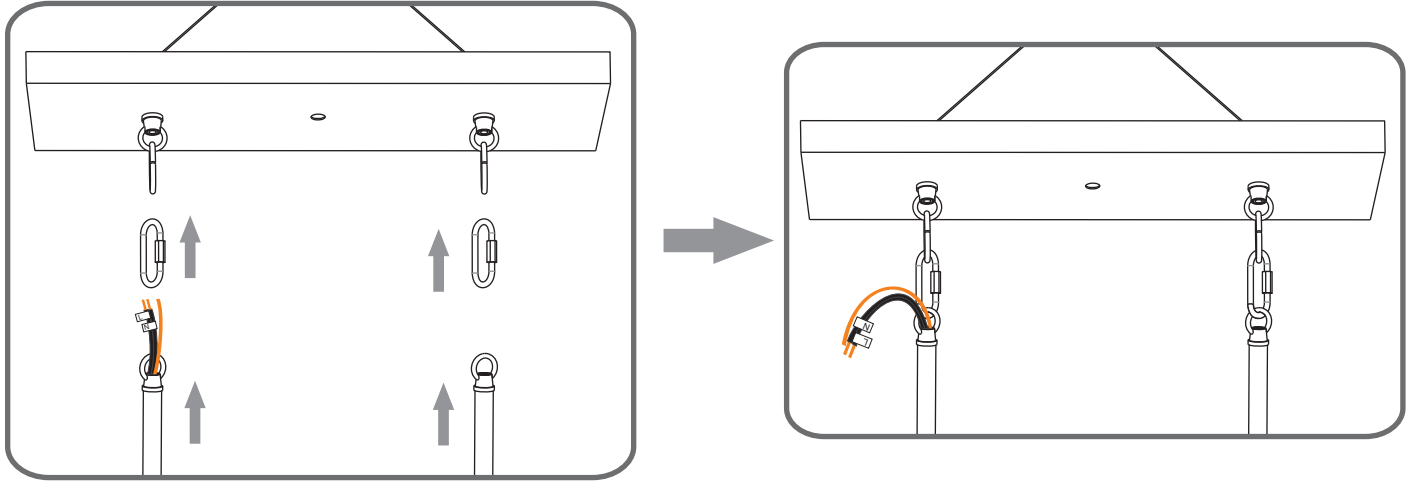
Step 2 - 3  
Test fitting ceiling canopy to nipple



3



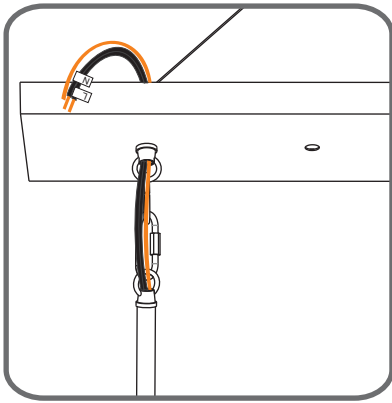
## STEP 4



## STEP 5

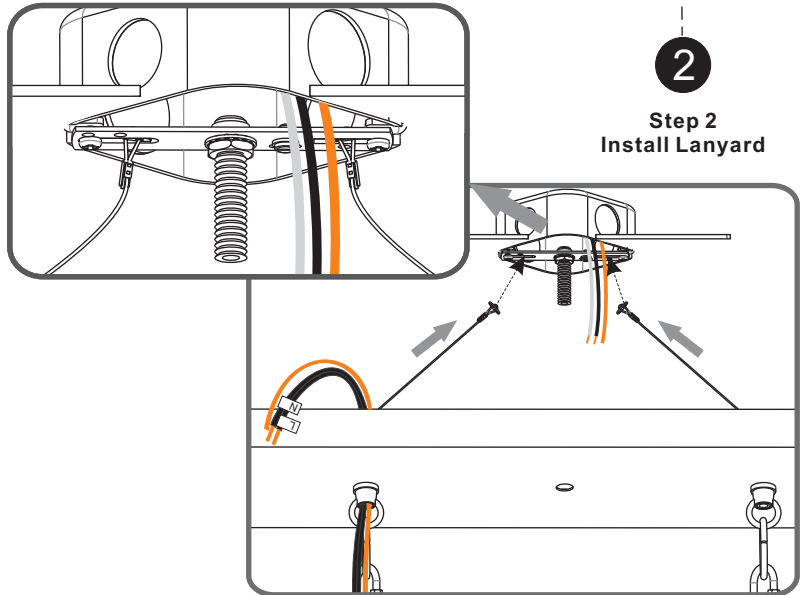
1

**Step 1**  
Feed the fixture wires  
through the ceiling canopy

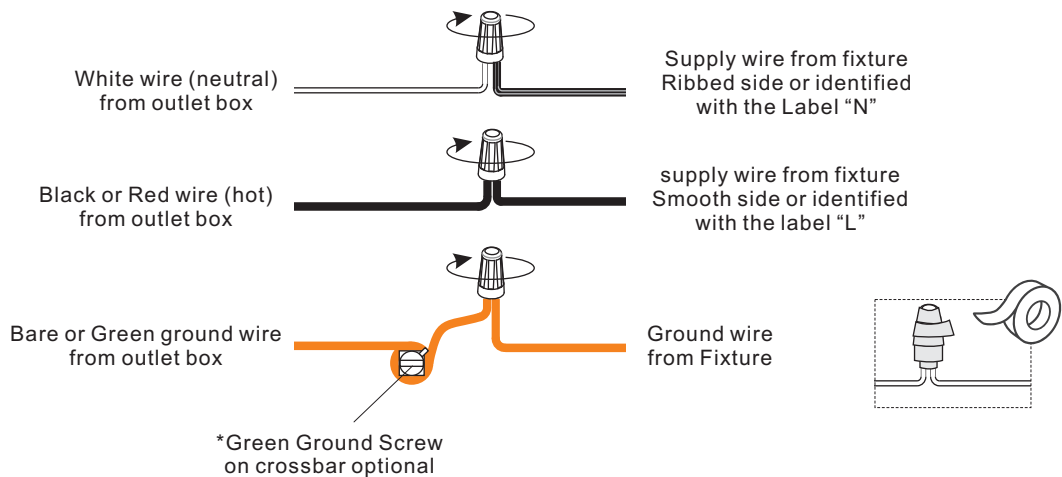


2

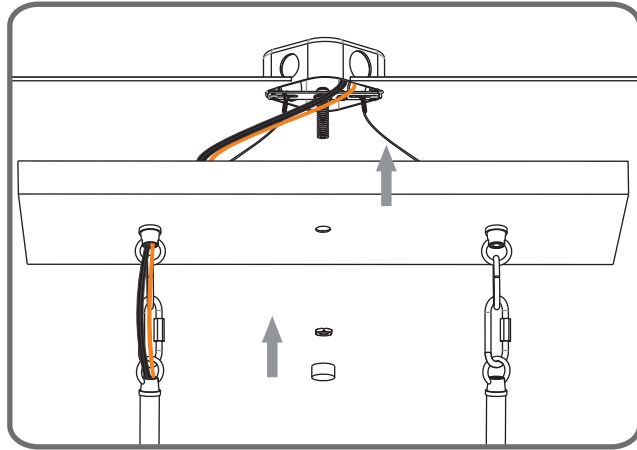
**Step 2**  
Install Lanyard



## STEP 6

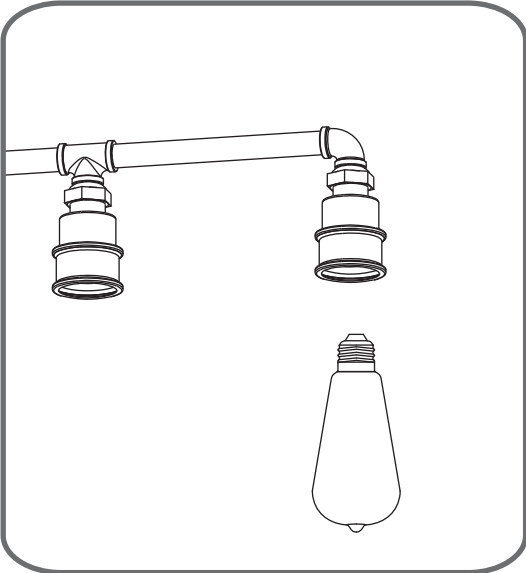


**STEP 7**



**STEP 8**

**OPTION 1**



**OPTION 2**

