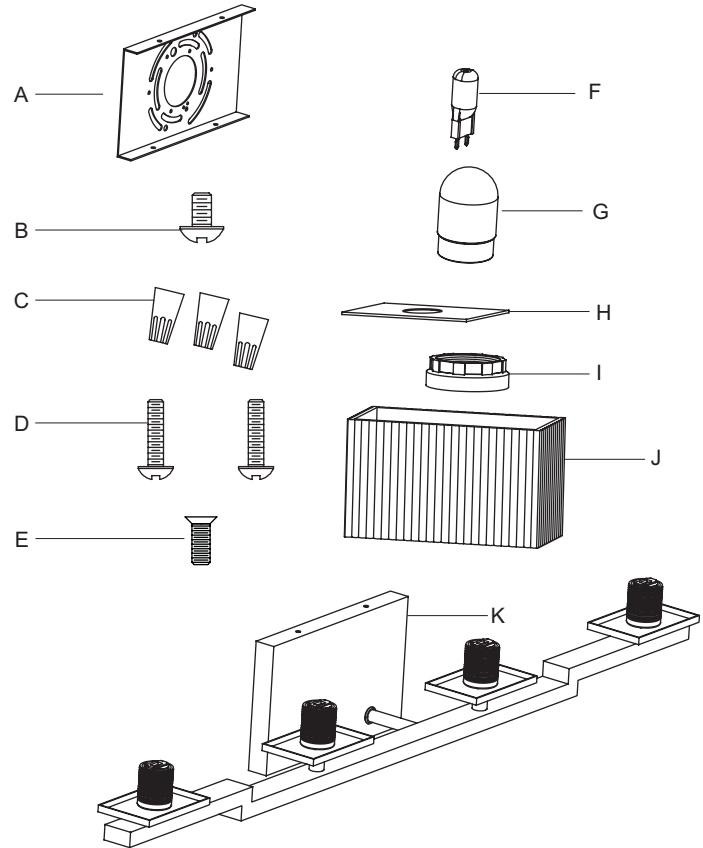


PACKAGE CONTENTS

ISSUED 09-2014

UM-TST1164D

PART	DESCRIPTION	QUANTITY
A	Inner Backplate (Pre-assembled to fixture body)	1pc
B	Green Ground Screw (Pre-assembled to Inner Backplate)	1pc
C	Wire Connector	3pcs
D	Outlet Box Screw	2pcs
E	Mounting Screw (Pre-assembled to fixture body)	4pcs
F	Halogen Bulb (G9)	4pcs
G	Bulb Shield	4pcs
H	Flat Washer (Pre-assembled to fixture body)	4pcs
I	Socket Collar (Pre-assembled to fixture body)	4pcs
J	Shade	4pcs
K	Fixture Body	1pc



! WARNINGS AND CAUTIONS

WARNING:

- Before beginning the installation, turn off electricity at the circuit breaker box or the main fuse box by switching off the circuit breaker or removing the fuse.

CAUTION:

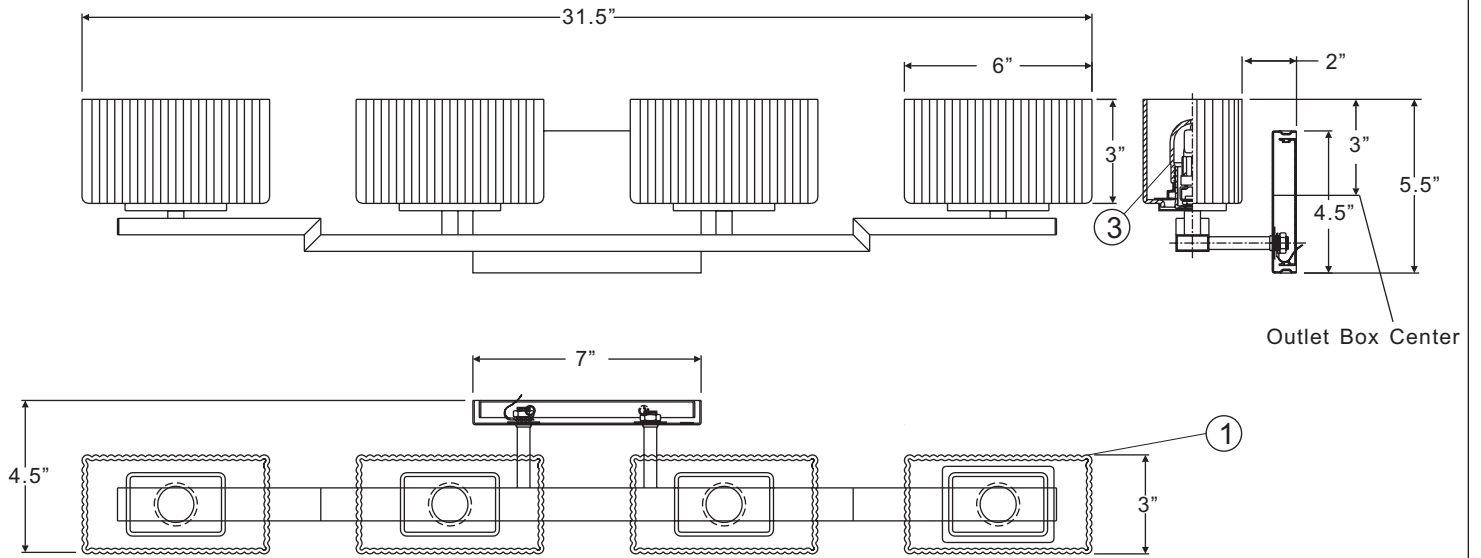
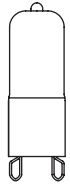
- These instructions are provided for your safety. It is very important that they are read completely before the installation of your fixture. We strongly recommend that a professional electrician install the fixture.
- Disconnect fixture from the power source before replacing the bulb(s), making sure that bulb(s) had sufficient time to cool down. DO NOT subject the lamp to any shock while lit as shattering of lamp may result.
- Do not touch the bulb with bare hands use a cloth or glove.

PREPARATION

- Before beginning installation of product, make sure all parts are present. Compare parts with package contents list and diagram above. If any part is missing or damaged, do not attempt to assemble, install or operate the product. Contact customer service for replacement part.
- Estimated Assembly Time: 20 - 30 minutes
- **Bulb Recommended:** (4) 60W Clear G9 Halogen Bulbs.
- **Tools Required:** Flathead screwdriver, Phillips screwdriver, pliers, wire cutters, wire strippers, electrical tape, safety glasses.
- **Phone #:** 1-866-535-1869
- **E-mail:** customerservice@illuminadirect.com
- **website:** www.illuminadirect.com

UM-TST1164D

FINISH: BRUSHED NICKEL

(4) 60W Clear
G9 Halogen Bulbs
(Supplied)

NOTE: ALL DIMENSIONS ARE ROUNDED UP TO THE NEAREST 1/2"

NO.	PART NUMBER	REPLACEMENT PART DESCRIPTION	REQ.
1	G2548SH	Shade	4
2	I826SC	Bulb	4
3	G2830BS	Bulb shields	4

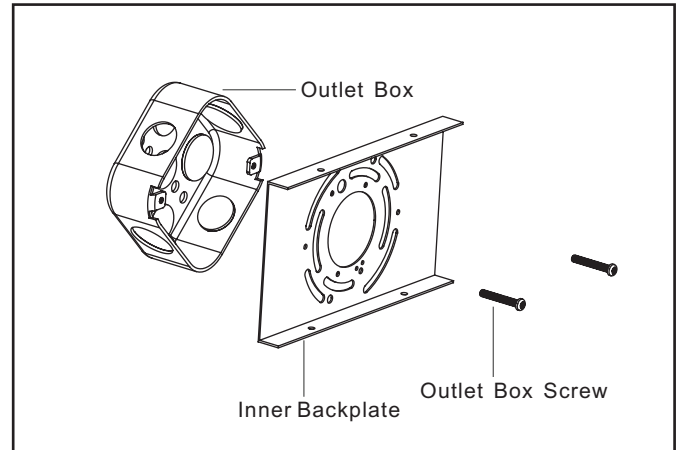
STEP 1:

Note: Prior to installation, close or cover the sink drain and/or any vents near the installation site to prevent loss of mounting hardware if dropped.

- a. Remove the Inner Backplate from the Backplate on the Fixture Body as shown in STEP 3.

- b. Secure the Inner Backplate to the outlet box (not included) with Outlet Box Screws.

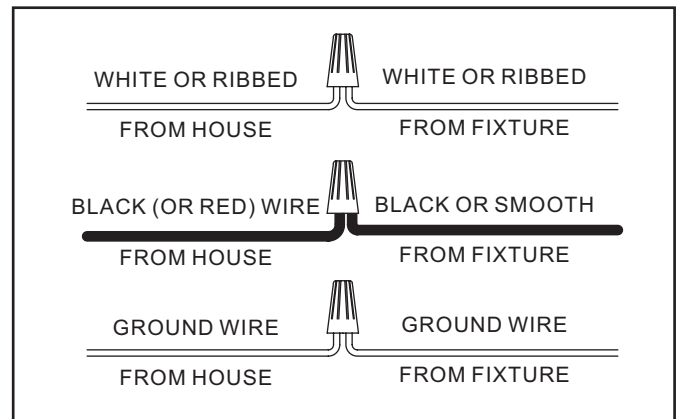
Note: Fixture Body can be installed with the sockets facing either up or down. The Inner Backplate should be adjusted accordingly to match the holes on the backplate of the Fixture Body.



STEP 2:

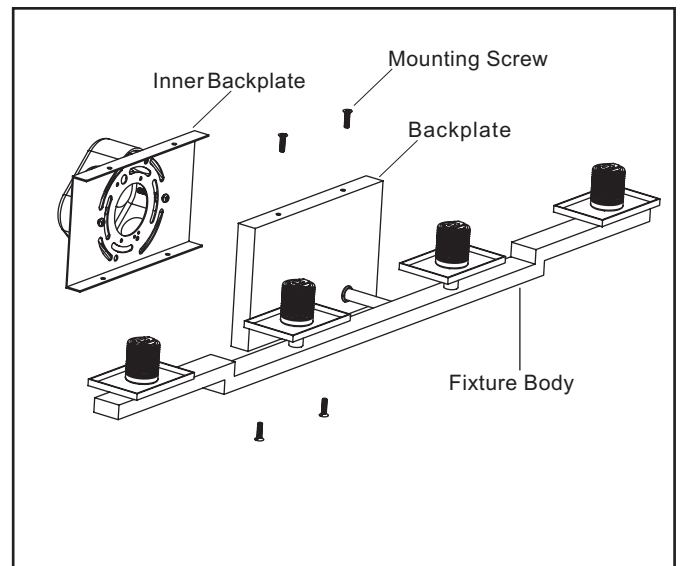
* Use Wire Connectors (supplied) to connect the wires.

- a. Connect the House Ground Wire to the Fixture Ground Wire.
- b. Connect the House White (or Ribbed) Wire to the Fixture Supply Wire (White or Ribbed Side).
- c. Connect the House Black (or Red) Wire to the Fixture Supply Wire (Black or Smooth Side).
- d. Wrap each connection with approved electrical tape and carefully stuff all of the connected wires into the Outlet Box.



STEP 3:

- a. Carefully tuck all wires into the outlet box and position the Fixture Body over the outlet box. Line up holes on the Backplate and mounting holes on the folded edge of the Inner Backplate. Secure by threading Mounting Screws into the mounting holes on the Inner Backplate. Thread screws into top first. Do not fully tighten. Thread screws into bottom, tighten bottom screws with screwdriver. Then , tighten top screws with screwdriver.

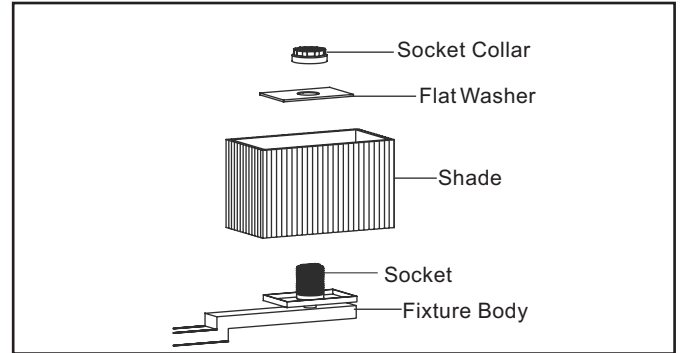


INSTALLATION INSTRUCTIONS

STYLE NUMBER: UM-TST1164D

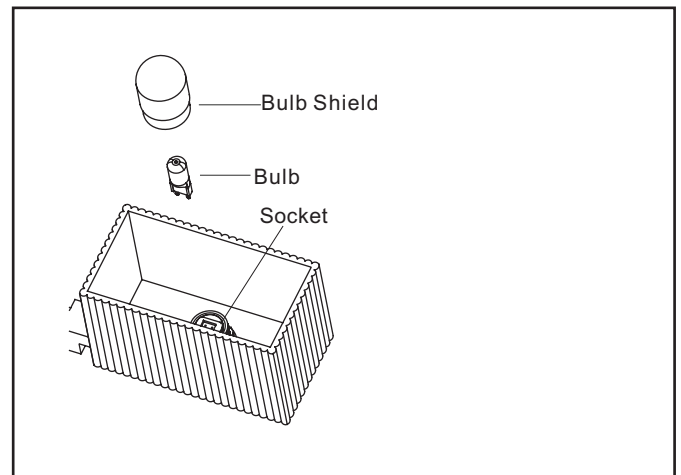
STEP 4:

- a. Remove the Socket Collar and Flat Washer from the Socket on the Fixture Body. Place Shade and the Flat Washer over the socket on the Fixture Body as shown. Thread the Socket Collar onto the socket on the Fixture Body to secure the Flat Washer. Hand tighten until snug.



STEP 5:

- a. This fixture uses clear G9 Halogen Bulbs (supplied). Maximum 60 watts.
- b. Insert bulb and sit properly into place.
- c. Screw Bulb Shield onto the Socket and hand tighten until snug.
IMPORTANT: Do not touch the bulb with bare hands use a cloth or glove when replacing bulb.



Your installation is completed now. Restore electricity. Retain this sheet for future reference.

CAUTION FOR BULB REPLACING

- A. When replacing bulb, turn off power and allow lamp to cool. For safety purpose, wear gloves and eye protection.
- B. If bulb is scratched or cracked, DO NOT use the lamp to avoid breakage during use or installation.
- C. Use bulbs rated for the fixtures correct wattage and voltage.
- D. Prevent the bulb from contacting liquid or combustible materials.