

Please go to www.quoise.com for product cleaning tips. Go to the **Care + Maintenance** selection.

Tools Required: Flathead screwdriver, Phillips screwdriver, pliers, wire cutters, wire strippers, electrical tape, safety glasses.

Light Source: (4) G9 Xenon Clear Bulbs (supplied), 40W Maximum

Estimated Assembly Time: 45-60 minutes

Preparation: Identify and inspect all parts before beginning installation. Check package content list and diagrams below to be sure all parts are present. If any parts are missing or damaged, do not attempt to assemble, install, or operate the fixture. Contact customer service for replacement parts.

⚠ Warnings and Cautions

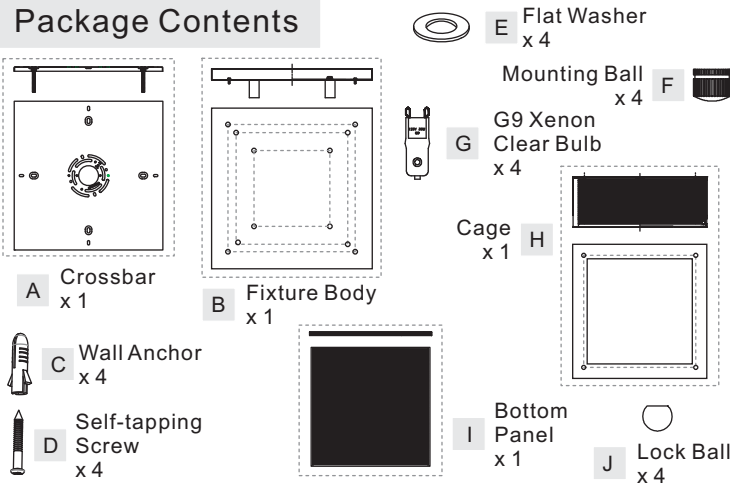
Turn off electricity at circuit breaker or main fuse box before installation. Consult a licensed electrician if in doubt.

These instructions are provided for your safety. It is very important you read them completely before installing the fixture. We strongly recommend that a licensed, professional electrician perform the installation.

Disconnect fixture from power source before replacing bulbs. Make sure bulbs are given sufficient time to cool before removal. Do not subject glass parts to any shock while in operation or shattering may result.

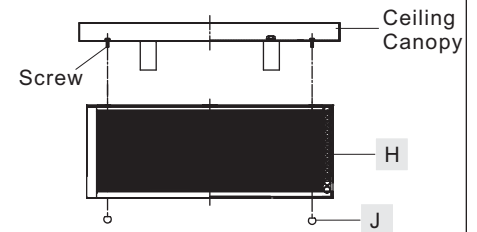
Do not touch the bulb with bare hands use a cloth or glove.

Package Contents



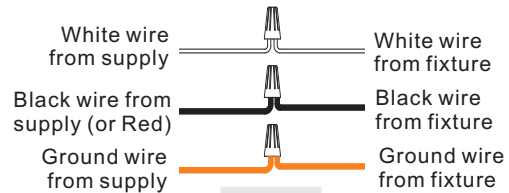
STEP 2 - Install Cage to Fixture Body

A. Place the Screws on the Ceiling Canopy through the hole on the top edge of the Cage (H). Secure by threading the Lock Balls (J) onto the Screws. Hand tighten until snug.



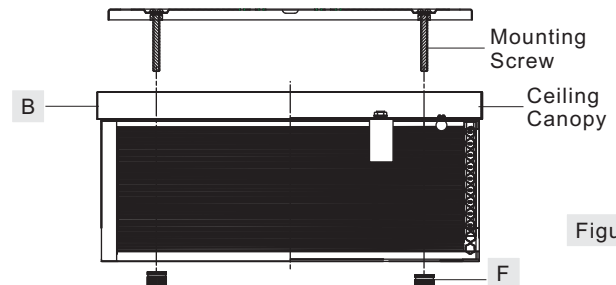
STEP 3 - Wire Connections

A. Use standard wire connectors (not included) to make all wire connections. (Connectors are not included with fixture.) Twist connectors until wires are tightly joined together. Wrap each connection with approved electrical tape and carefully stuff all the connected wires into the Outlet Box.



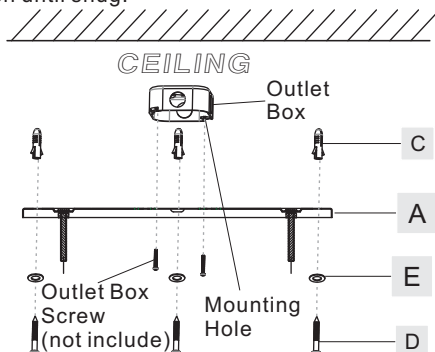
STEP 4 - Attach Ceiling Canopy to Mounting Screw

A. Place the Ceiling Canopy on the Fixture Body (B) over the Mounting Screws and secure with Mounting Balls (F). Hand tighten until snug.



STEP 1 - Attach Inner Backplate to Outlet Box

- A. Place the Crossbar (A) onto the Ceiling surface and line up one set of holes onto mounting holes on Outlet Box. Using a pencil, mark the locations for Wall Anchors (C).
- B. Remove the Crossbar (A) and drill holes from the marks and then push the Wall Anchors (C) into the holes.
- C. Position the Crossbar (A) back onto the Ceiling. Thread the Outlet Box Screws (not supplied) into the mounting holes on the Outlet Box to secure it. Hand tighten until snug.
- D. Pass the Flat Washers (E) over the Self-tapping screws (D) and then thread the self-tapping screws (D) into the Wall Anchors (C). Hand tighten until snug.



Thank you for purchasing a Quoizel product.
Need assistance with parts or assembly? Call Quoizel customer service at 1-631-273-2700
or visit us on-line at www.quoise.com

STEP 5 - Install Bulb

- A. This fixture uses G9 Xenon Clear Bulbs (G). Maximum 40 watts.
- B. Insert bulb and seat properly into place.

IMPORTANT: Do not touch the bulb with bare hands use a cloth or glove.

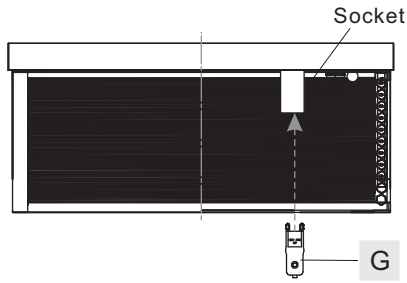
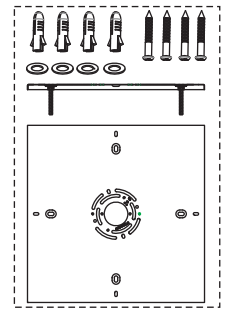
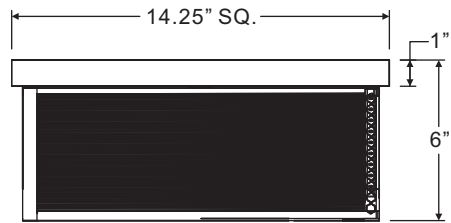


Figure 5

PRN1614C

FINISH: POLISHED CHROME



STEP 6 - Install Bottom Panel

- A. Tilt the Bottom Panel (I) into the Cage (H) and then rotate it until it is seated onto the Tabs at the bottom corners of the Cage (H).

Your fixture is now assembled and ready to use. Enjoy!

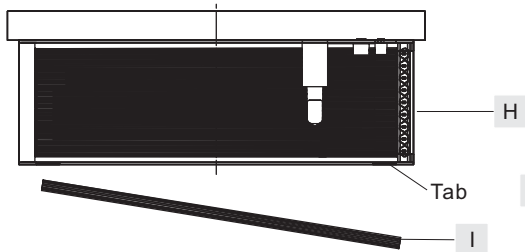
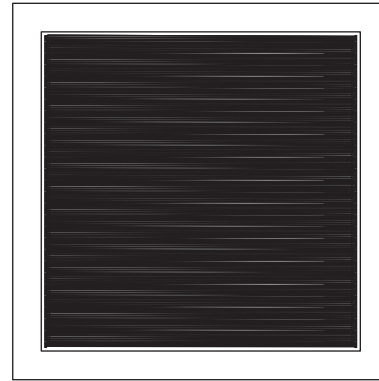
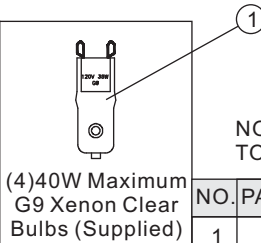


Figure 6



CAUTION FOR BULB REPLACING

- A. When replace bulb, turn off power and allow lamp to cool. For safety purpose, wear gloves and eye protection.
- B. If bulb is scratched or cracked, DO NOT use the lamp to avoid breakage during use or installation.
- C. Use only in fixtures rated for lamps wattage and voltage.
- D. Lamp operate under high pressure generating intense heat. Prevent contact with liquid and combustible materials.



(4)40W Maximum G9 Xenon Clear Bulbs (Supplied)

NOTE: ALL DIMENSIONS ARE ROUNDED UP TO THE NEAREST 1/4"

NO.	PART NUMBER	REPLACEMENT PART	REQ.
1	I1202SC	G9 XENON CLEAR BULB	4

Thank you for purchasing a Quoizel product.
Need assistance with parts or assembly? Call Quoizel customer service at 1-631-273-2700
or visit us on-line at www.quoizel.com