

Please go to [www. quozel. com](http://www. quozel. com) for product cleaning tips. Go to the **Care + Maintenance** selection.

**Tools Required:** Flathead screwdriver, Phillips screwdriver, pliers, wire cutters, wire strippers, electrical tape, safety glasses.

**Light Source:** (1) A21 Medium Base bulb 150W Maximum, Alternate bulb (1) 42W CFL.

**Estimated Assembly Time:** 20-30 minutes

**Preparation:** Identify and inspect all parts before beginning installation. Check package content list and diagrams below to be sure all parts are present. If any parts are missing or damaged, do not attempt to assemble, install, or operate the fixture. Contact customer service for replacement parts.

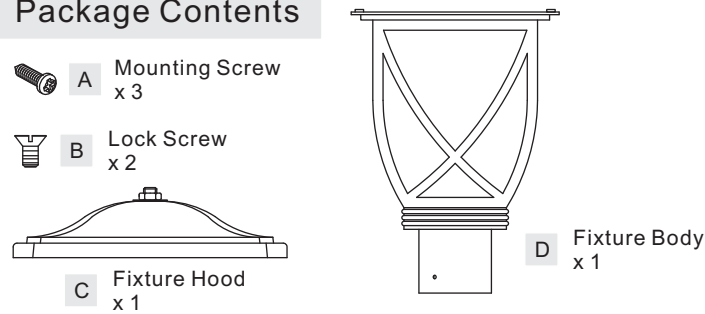
### **⚠ Warnings and Cautions**

Turn off electricity at circuit breaker or main fuse box before installation. Consult a licensed electrician if in doubt.

These instructions are provided for your safety. It is very important you read them completely before installing the fixture. We strongly recommend that a licensed, professional electrician perform the installation.

Disconnect fixture from power source before replacing bulbs. Make sure bulbs are given sufficient time to cool before removal. Do not subject glass parts to any shock while in operation or shattering may result.

### **Package Contents**



### **STEP 1 – Adjust Finial**

- A. Unlock the Finial and the Waterproof Washer inside of the Fixture Hood. Locate the Nipple with Hex Nut inside of the Fixture Hood and pass the Nipple through the center hole of the Fixture Hood. Place the Waterproof Washer onto the top of the Fixture Hood and secure with the Waterproof Finial. Hand tighten until snug.

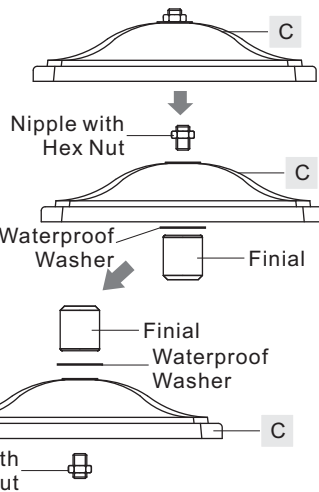


Figure 1

### **STEP 2 – Install Bulb and Fixture Hood**

- A. This fixture uses standard bulb with standard screw base. Maximum 150 watts. Insert bulb and screw snugly into place.  
B. Place the Fixture Hood (C) onto the top edge of the Fixture Body (D) and secure with Lock Screws (B). Hand tighten until snug.

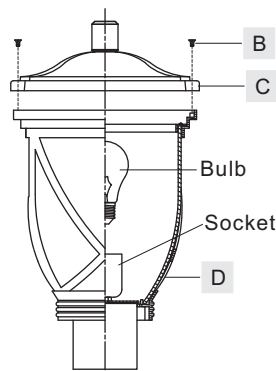
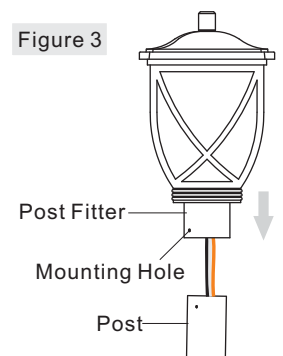


Figure 2

### **STEP 3 – Drill Pilot Holes on Post**

- A. Carefully fit the Post Fitter over the end of the Post (not supplied), making sure the Post Fitter is fully seated.  
B. Mark the drill point for the (3) Mounting Screws, using (3) Mounting Holes as reference. After marking hole locations, remove fixture from post and drill 1/16" pilot holes for screws.

Figure 3



### **STEP 4 - Wire Connections**

- A. Use standard wire connectors (not included) to make all wire connections. (Connectors are not included with fixture.) Twist connectors until wires are tightly joined together. Wrap each connection with approved electrical tape and carefully stuff all the connected wires into the Outlet Box.

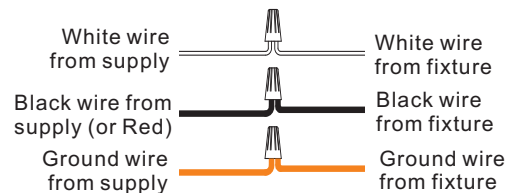
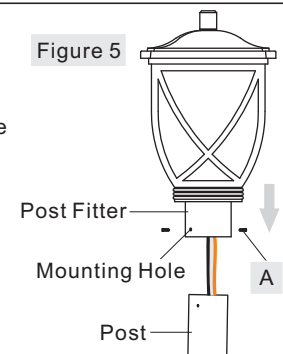


Figure 4

### **STEP 5 – Attach Fixture Body to Post**

- A. Coat the top 1" of the Post with Clear Silicone Caulk (not supplied) and position the Post Fitter onto the Post. Be sure to seat it completely, aligning the holes in the Fitter with the 1/16" Pilot Holes drilled into the Post.  
B. Secure the Fixture to Post with (3) Mounting Screws (A).

Figure 5



Your fixture is now assembled and ready to use. Enjoy!

### **STEP 6 - Replace Glass Panels**

- A. Remove Fixture Hood from Fixture by unlocking Flat Head Screws.  
B. Unscrew Cup Head Screws in the Cage with Glass Panel. Remove

**Thank you for purchasing a Quoizel product.**  
**Need assistance with parts or assembly? Call Quoizel customer service at 1-631-273-2700 or visit us on-line at [www. quozel. com](http://www. quozel. com)**

**Continue to Step 6**

- Ring from the Cage.
- C. Replace the Glass Panels inside of the Cage. Reverse above steps to assemble removed parts back to fixture.

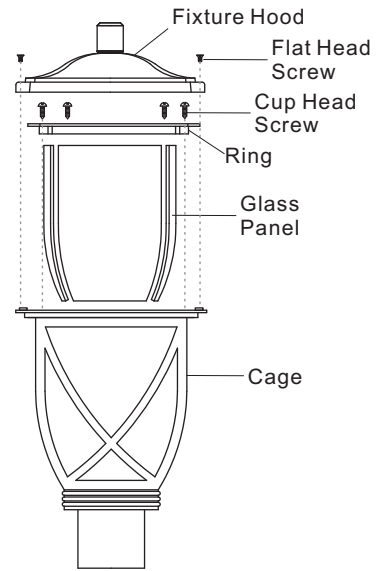
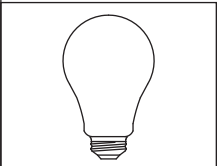
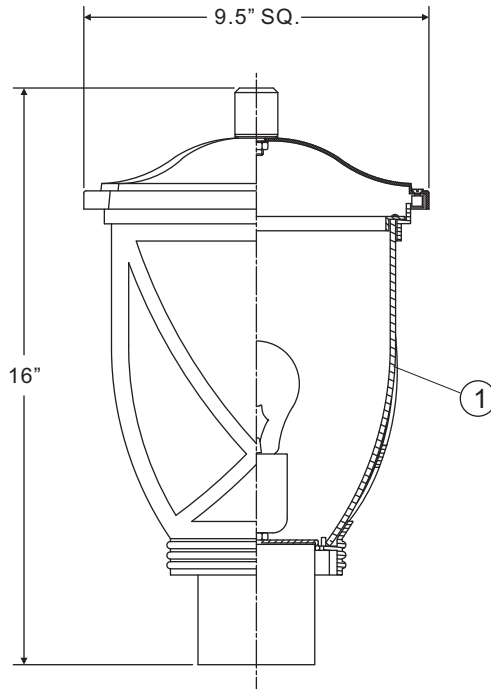


Figure 6

TDR9009PN/TDR9009K  
 FINISH: PALLADIAN BRONZE  
 MYSTIC BLACK



(1) 150W A21  
 Medium Base Bulb  
 (Not Supplied)

NOTE: ALL DIMENSIONS ARE ROUNDED UP TO THE NEAREST 1/2"

NO.	PART NUMBER	REPLACEMENT PART DESCRIPTION	REQ.
1	G11966PA	GLASS PANEL	4

Thank you for purchasing a Quoizel product.  
 Need assistance with parts or assembly? Call Quoizel customer service at 1-631-273-2700  
 or visit us on-line at [www.quoizel.com](http://www.quoizel.com)