



SQUAREDRAIN SHOWER INSTALLATION KIT WITH SHEET WATERPROOFING TECHNICAL SPECIFICATION

DESCRIPTION

The pre-sloped shower pan shall be a tileable shower receptor for point drains and made from extruded rigid PET (polyethylene terephthalate) plastic foam. It is strong, lightweight, non-reactive, chemically stable, UV resistant, and suitable for interior and exterior use. The pan can be used with both sheet membrane and liquid waterproofing and eliminates the need for traditional mud bed installations. The compressive strength shall be 145PSI and meet IAPMO PS-10 standards. It shall have the ability to be quickly modified to size on-site, is made from 100% post-consumer recycled plastic, and is fully recyclable.

APPLICATIONS/USES

- Industrial, commercial and residential showers
- Gang showers
- Pet Showers

SUITABLE SUBSTRATES (INTERIOR ONLY)

- Concrete
- Exterior glue plywood
- Cement backer board**
- OSB or Avantech

**Consult cement backer board manufacturer for specific installation recommendations

APPROVALS AND LISTINGS

Before installing the QuickDrain system, check with your local building department/plumbing inspector to ensure compliance with the local building codes. QuickDrain is not responsible for any conflicts with local building codes or improper installation of any part of the assembly or the waterproofing membrane. Dimensions are subject to manufacturer's tolerance and can change without notice.

PRODUCT SELECTOR

EXAMPLE: SDPAN-SWP38X60-SFOFF SQUAREDRAIN SHOWER INSTALLATION KIT INCLUDING SHEET WATERPROOFING MEMBRANE, 38"X60" PRE-SLOPED SHOWER PAN, AND SMALL UNIVERSAL FLANGE ADAPTOR FOR 4" DRAINS IN AN OFFSET DRAIN LOCATION

SDPAN - SWP		Pan Size		Universal Flange Adaptor		Drain Location	
SquareDrain Pre-sloped Pan Kit		Sheet Membrane Waterproofing		Universal Flange Adaptor		Drain Location	
✓	PAN SIZE	✓	UNIVERSAL FLANGE ADAPTOR	✓	DRAIN LOCATION		
	48"x48"	SF =	Small for 4" SquareDrain		Centered		
	38"x60"	LF =	Large for 5" and 6" SquareDrain		Offset		

Job Name _____	Item # _____
Location _____	
Engineer _____	Contractor _____
PO # _____	Tag _____
Representative _____	



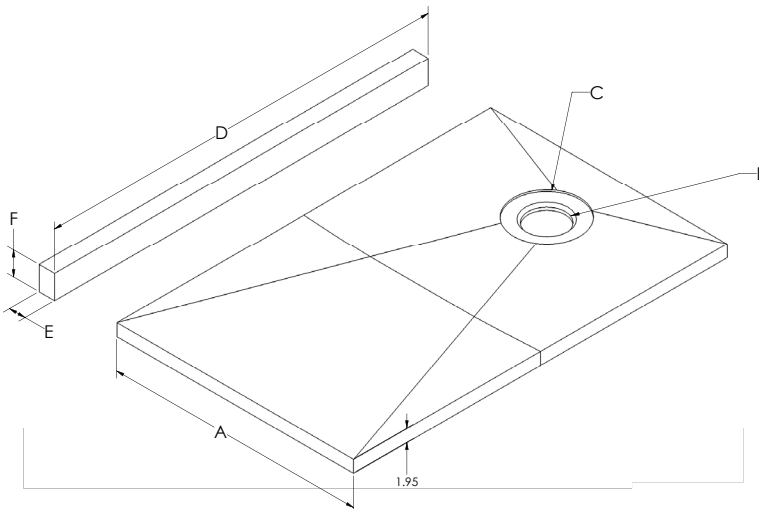
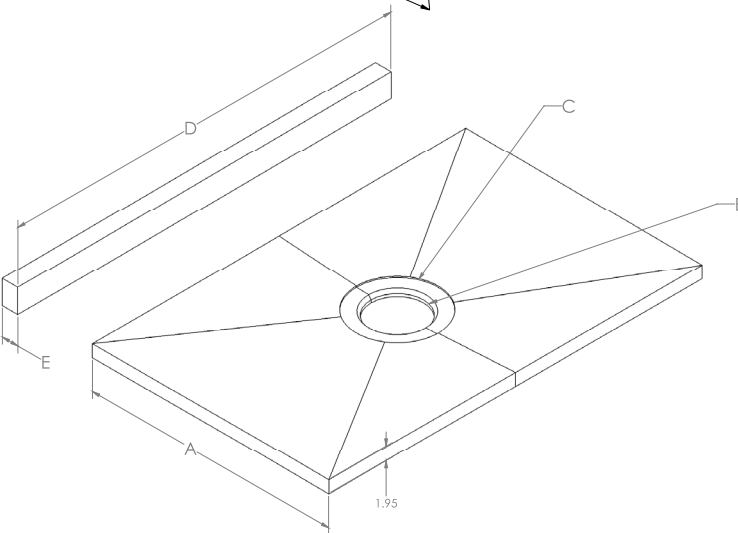
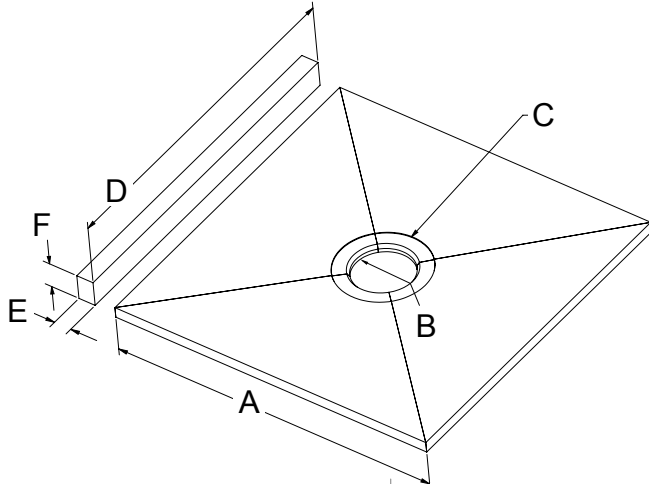
INSTALLATION KIT INCLUDES

- Pre-sloped shower pan
- Pre-formed PET curb & lag screws
- Sheet waterproofing & accessories
- Small or large universal flange adaptor
- Weep guard

Drain base sold separately



SQUAREDRAIN SHOWER INSTALLATION KIT WITH SHEET WATERPROOFING TECHNICAL SPECIFICATION



48"X48" INSTALLATION KITS

SDPAN-SWP48x48-SF Includes small (SF) Universal Flange Adaptor Conversion Kit and Sheet Waterproofing (SWP). Compatible with all 4" SquareDrain Kits (SD04-)

SDPAN-SWP48x48-LF Includes large (LF) Universal Flange Adaptor Conversion Kit and Sheet Waterproofing (SWP). Compatible with all 5" and 6" SquareDrain Kits (SD05- and SD06-)

[A]:	Pan Size:	48" x 48"	[D]:	Curb Length	48"
[B]:	Thru Hole	SF: 6"	[E]:	Curb Width	2-1/2"
		LF: 8-1/2"			
[C]:	Flange O.D.	SF: 10-1/2"	[F]:	Curb Height	3-13/16"
		LF: 13"			

38"X60" CENTERED OUTLET INSTALLATION KITS

SDPAN-SWP38x60-SF Includes small (SF) Universal Flange Adaptor Conversion Kit and Sheet Waterproofing (SWP). Compatible with all 4" SquareDrain Kits (SD04-)

SDPAN-SWP38x60-LF Includes large (LF) Universal Flange Adaptor Conversion Kit and Sheet Waterproofing (SWP). Compatible with all 5" and 6" SquareDrain Kits (SD05- and SD06-)

[A]:	Pan Size:	38" x 60"	[D]:	Curb Length	60"
[B]:	Thru Hole	SF: 6"	[E]:	Curb Width	2-1/2"
		LF: 8-7/16"			
[C]:	Flange O.D.	SF: 10-1/2"	[F]:	Curb Height	3-13/16"
		LF: 13"			

38"X60" OFFSET OUTLET INSTALLATION KITS

SDPAN-SWP38x60-SFOFF Includes small (SF) Universal Flange Adaptor Conversion Kit and Sheet Waterproofing (SWP). Compatible with all 4" SquareDrain Kits (SD04-)

SDPAN-SWP48x48-LF Includes large (LF) Universal Flange Adaptor Conversion Kit and Sheet Waterproofing (SWP). Compatible with all 5" and 6" SquareDrain Kits (SD05- and SD06-)

[A]:	Pan Size:	38" x 60"	[D]:	Curb Length	60"
[B]:	Thru Hole	SF: 6"	[E]:	Curb Width	2-1/2"
		LF: 8-7/16"			
[C]:	Flange O.D.	SF: 10-1/2"	[F]:	Curb Height	3-13/16"
		LF: 13"			



SQUAREDRAIN SHOWER INSTALLATION KIT WITH SHEET WATERPROOFING

TECHNICAL SPECIFICATION

DESCRIPTION

Topical sheet membrane waterproofing and accessories shall be used in residential and commercial applications when creating a watertight shower pan or shower system. Sheet waterproofing must be installed a minimum of 4" above flood rim in a shower pan and can be used to waterproof walls within shower footprint or other surfaces with tile/stone application. Meets ANSI A118.10 and holds IAPMO Listing #8483.

- 78" wide sheet of waterproofing pan liner, sold by the linear foot.
- Two outer layers of polypropylene spunlace non-woven material sandwiching an inner layer of waterproof polyethylene membrane.
- 0.6 mm thick. Easily creased into inside corners.
- Suitable for thin-bed shower waterproofing - No curing - Install tile immediately.



APPROVALS AND LISTINGS

- UPC 5130
- ANSI A118.10
- ICC-ES PMG-1105

INSTALLATION KIT INCLUDES

- QTS Sheet Membrane (1 roll)
 - Curb Covers (2)
 - Insider Corners (4)
 - QDMUS Sealant (1)
- Drain base sold separately*

PHYSICAL PROPERTIES	DIN	VALUE
Burst pressure: max.	Internal	3.7 bar
Breaking load longitudinal	DIN EN ISO 527-3	139N / 15mm
Breaking load lateral	DIN EN ISO 527-3	42N / 15mm
Extension break longitudinal	DIN EN ISO 527-3	52%
Extension break lateral	DIN EN ISO 527-3	182%
Power absorption at 25% elasticity lateral	DIN EN ISO 527-3	1.5N / mm
Power absorption at 50% elasticity lateral	DIN EN ISO 527-3	1.7N / mm
Resistance to tearing longitudinal	DIN EN 12310-2	54N
Resistance to tearing lateral	DIN EN 12310-2	160N
Resistance to water pressure	DIN EN 1928 (ver. B)	< 1.5 bar
UV-Resistance: min.	DIN EN ISO 4892-2	500 h
Moisture vapor resistance air equivalent (sd)	DIN EN 1931	> 85 m
Bonding strength	DIN EN 1348	> 0.4 N / mm sq

CHEMICAL PROPERTIES	Resistance after storage over 7 days at room temp. in following chemicals	+ = Resistant 0 = Weakened - = Non-resistant
Hydrochloric acid 3%	Internal	+
Sulphuric acid 35%	Internal	+
Citric acid 100 g/l	Internal	+
Lactic acid 5%	Internal	+
Potassium hydroxide 3%/20%	Internal	+ / +
Sodium hypochlorite 0.3 g/l	Internal	+
Salt water (20 g/l sea water salt)	Internal	+



SQUAREDRAIN SHOWER INSTALLATION KIT WITH SHEET WATERPROOFING TECHNICAL SPECIFICATION: UNIVERSAL FLANGE ADAPTOR

DESCRIPTION

The QuickDrain Universal Flange Adaptor is made of reinforced nylon and molded in the USA. It is available in two sizes: large (13") and small (10-1/2"). The flange adaptor shall have universal bolt slots and Phillips head screws which can be fastened to most drain bases. It shall have a molded TPE dual profile gasket which seals to most PVC/ABS drain bases to upgrade or retrofit from traditional pan liner to topical membrane waterproofing. It shall have integrated threads and a weep zone to allow water to properly migrate to the drain. The flange shall be textured to bond topical fabric membrane with thinset and compatible to liquid applied waterproofing.

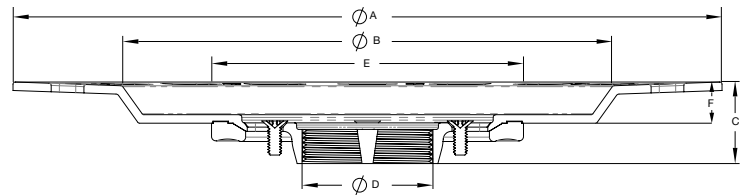
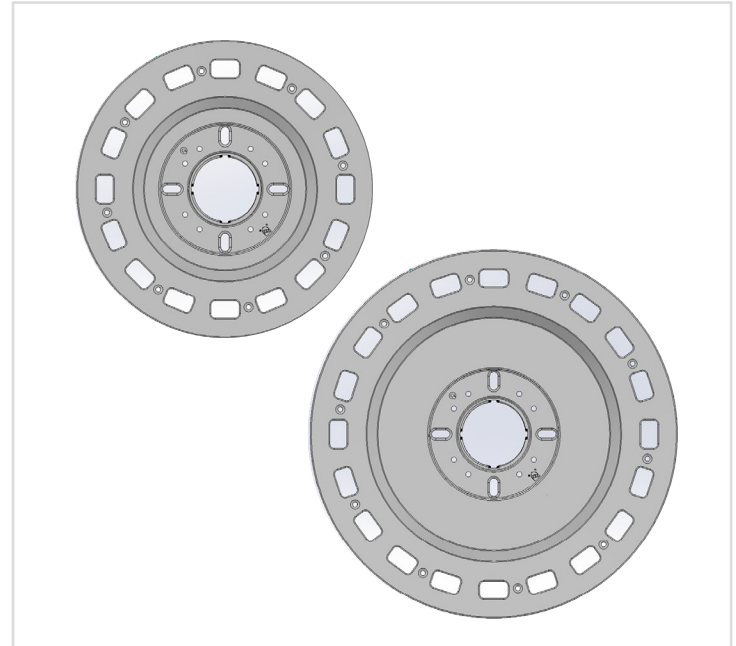
APPROVALS AND LISTINGS

Before installing the QuickDrain system, check with your local building department/plumbing inspector to ensure compliance with the local building codes. QuickDrain is not responsible for any conflicts with local building codes. QuickDrain is not responsible for improper installation of any part of the assembly or the waterproofing membrane. Dimensions are subject to manufacturer's tolerance and can change without notice.



CONVERSION KIT INCLUDES

- Flange Adaptor (1)
 - Weep Guard (1)
 - Phillips Head Screws (4)
- Drain base sold separately*



Flange Adaptor Size	Included with:
Small Universal	SDPAN-SWP48x48-SF SDPAN-SWP38x60-SFOFF SDPAN-SWP38x60-SF SDPAN-LWP48x48-SF SDPAN-LWP38x60-SFOFF SDPAN-LWP38x60-SF
Large Universal	SDPAN-SWP48x48-LF SDPAN-SWP38x60-LFOFF SDPAN-SWP38x60-LF SDPAN-LWP48x48-LF SDPAN-LWP38x60-LFOFF SDPAN-LWP38x60-LF

FLANGE ADAPTOR DIMENSIONS

[A]:	Width	SF: 10-12" LF: 13"	[D]:	Hub Dimension	2" Sch 40
[B]:	Recess Width	SF: 6-1/2" LF: 9"	[E]:	Compatible Drain Bodies	SF: 4" LF: 5", 6"
[C]:	Height	4"	[F]:	Drain Body Depth	1/4"