



SQUAREDRAIN SHOWER KIT TECHNICAL SPECIFICATION

DESCRIPTION

SquareDrain Shower Kits include the 18 gauge 304 stainless steel drain body and drain cover in matching finish. They are available in three sizes (4", 5" and 6") and four finish options including Brushed Gold, Brushed Stainless Steel, Polished Stainless Steel, and Matte Black. The drain capacity for the 2" outlet shall be 10 GPM in a shower pan with curb.

APPLICATIONS/USES

- Industrial, commercial and residential showers
- Gang showers
- Pet Showers

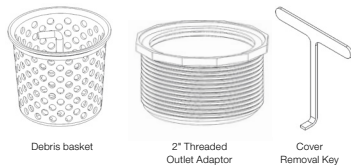
SUITABLE SUBSTRATES (INTERIOR ONLY)

- Concrete
- Exterior glue plywood
- Cement backer board**
- OSB or Avantech

**Consult cement backer board manufacturer for specific installation recommendations

SHOWER KIT DRAIN ASSEMBLY INCLUDES

304 Stainless Steel Drain Body and Decorative Cover in matching finish, 2" Threaded Outlet Adaptor, Cover Removal Key and Debris Basket.



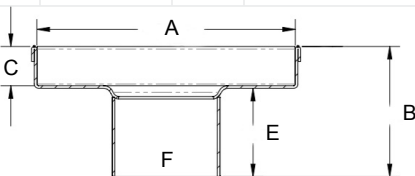
APPROVALS AND LISTINGS

Before installing the QuickDrain system, check with your local building department/plumbing inspector to ensure compliance with the local building codes. QuickDrain is not responsible for any conflicts with local building codes or improper installation of any part of the assembly or the waterproofing membrane. Dimensions are subject to manufacturer's tolerance and can change without notice.



DRAIN BODY DIMENSIONS

[A]:	Width:	CPD04: 4"	[E]:	Hub Height	1.65"
		CPD05: 5"			
		CPD06: 6"			
[B]:	Height:	2.43"	[F]:	Hub Diameter (OD)	2"
[C]:	Depth	0.73"	[G]:	Material Thickness	18GA

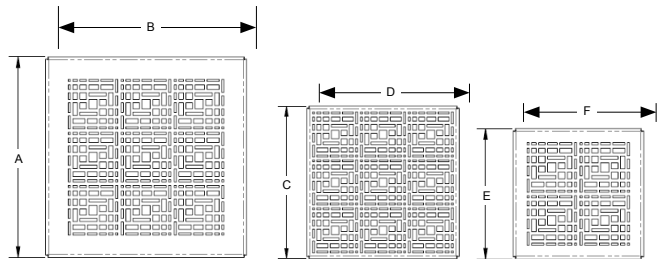


Job Name _____	Item # _____
Location _____	
Engineer _____	Contractor _____
PO # _____	Tag _____
Representative _____	



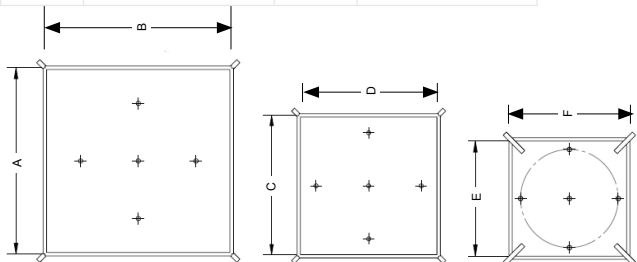
DECORATIVE COVER DIMENSIONS

[A]:	5-3/4"	[D]:	4-3/4"
[B]:	5-3/4"	[E]:	3-3/4"
[C]:	4-3/4"	[F]:	3-3/4"



TILE-IN COVER DIMENSIONS

[A]:	5-1/4"	[D]:	4-1/4"
[B]:	5-1/4"	[E]:	3-1/4"
[C]:	4-1/4"	[F]:	3-1/4"

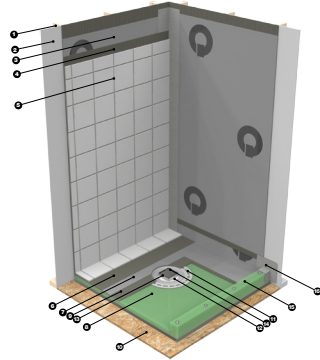


Access BIM/Revit content through www.LRBrands.com/QuickDrain

SQUAREDRAIN SHOWERKIT TECHNICAL SPECIFICATION

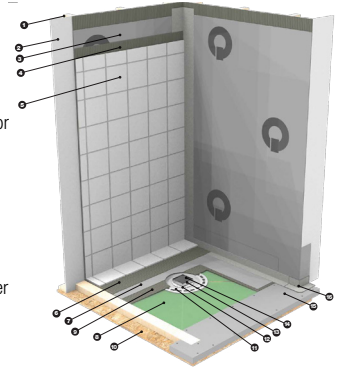
CURBED SHOWER USING PRE-SLOPED SHOWER PAN & SHEET MEMBRANE WATERPROOFING

1. Stud Wall
2. Wall Board
3. Sheet Waterproofing for Wall
4. Thinset (for wall tile)
5. Wall Tile and Grout
6. Thinset
7. Sheet Waterproofing for Shower Pan
8. Pre-sloped Shower Pan
9. Thinset
10. Subfloor
11. Universal Flange Adaptor
12. Weep Guard
13. SquareDrain Drain Body
14. SquareDrain Cover
15. Pre-formed Curb
16. Curb Cover



CURBLESS SHOWER USING PRE-SLOPED SHOWER PAN & SHEET MEMBRANE WATERPROOFING

1. Stud Wall
2. Wall Board
3. Sheet Waterproofing for Wall
4. Thinset (for wall tile)
5. Wall Tile and Grout
6. Thinset
7. Sheet Waterproofing for Shower Pan
8. Pre-sloped Shower Pan
9. Thinset
10. Subfloor
11. Universal Flange Adaptor
12. Weep Guard
13. SquareDrain Drain Body
14. SquareDrain Cover
15. Wall Board / Underlayment
16. Outside Corner



PRODUCT SELECTOR

EXAMPLE: SD04-BG-DECO SHOWER KIT 4IN BRUSHED GOLD SQUAREDRAIN WITH MATCHING 4IN BRUSHED GOLD DECO COVER

SD

**SquareDrain
Drain Kit**

Drain Size

Finish

**Cover
Design**

✓	DRAIN SIZE	
	04 =	4" x 4"
	05 =	5" x 5"
	06 =	6" x 6"

✓	FINISH	
	BG =	Brushed Gold
	BSS =	Brushed Stainless Steel
	MB =	Matte Black
	PSS =	Polished Stainless Steel

✓	COVER DESIGN
	DECO
	STONES
	STREAM
	TILE-IN

OPTIONAL ACCESSORIES *sold separately*

SHOWER INSTALLATION KITS

- 48"x48" Pre-sloped Shower Pan with Liquid Waterproofing Accessories
- 48"x48" Pre-sloped Shower Pan with Sheet Membrane Waterproofing & Accessories
- 38"x60" Pre-sloped Shower Pan with Liquid Waterproofing Accessories
- 38"x60" Pre-sloped Shower Pan with Sheet Membrane Waterproofing Accessories

SHOWER PANS & ACCESSORIES

- 36"x36" Pre-sloped Shower Pans
- 48"x48" Pre-sloped Shower Pans
- 36"x48" Pre-sloped Shower Pans
- 38"x60" Pre-sloped Shower Pans
- Pre-formed PET Curbs in lengths of 36", 48" and 60"

DRAINS & FLANGES

- Oatey 130-Series Drain (ABS or PVC)
- Universal Flange Adaptor Kit (ABS or PVC for new construction)
- Universal Flange Adaptor (for renovations)

WATERPROOFING ACCESSORIES

- Pre-formed Corners and Curb Covers for Liquid Waterproofing
- Topical Sheet Waterproofing & Accessories
- Oatey® PVC/CPE Shower Pan Liner, Corner Dams and X-15 Adhesive



SQUAREDRAIN SHOWER INSTALLATION KIT TECHNICAL SPECIFICATION

DESCRIPTION

The pre-sloped shower pan shall be a tileable shower receptor for point drains and made from extruded rigid PET (polyethylene terephthalate) plastic foam. It is strong, lightweight, non-reactive, chemically stable, UV resistant, and suitable for interior and exterior use. The pre-sloped shower pan can be used with both sheet membrane and liquid topical waterproofing and eliminates the need for traditional mud bed installations. The compressive strength shall be 145PSI and meet IAPMO PS-10 standards. It shall have the ability to be effortless and quickly modified to size and shape conditions on-site and is made from 100% post-consumer recycled plastic, and be fully recyclable.

APPLICATIONS/USES

- Industrial, commercial and residential showers
- Gang showers
- Pet Showers

SUITABLE SUBSTRATES (INTERIOR ONLY)

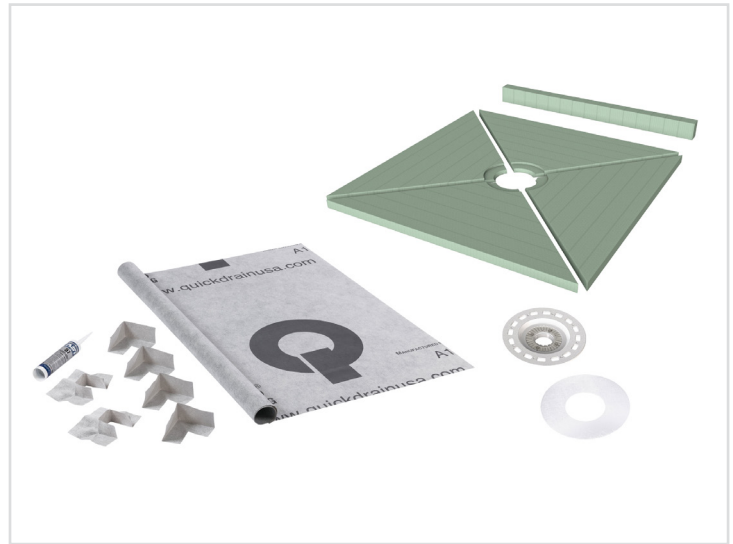
- Concrete
- Exterior glue plywood
- Cement backer board**
- OSB or Avantech

**Consult cement backer board manufacturer for specific installation recommendations

APPROVALS AND LISTINGS

Before installing the QuickDrain system, check with your local building department/plumbing inspector to ensure compliance with the local building codes. QuickDrain is not responsible for any conflicts with local building codes or improper installation of any part of the assembly or the waterproofing membrane. Dimensions are subject to manufacturer's tolerance and can change without notice.

Job Name _____	Item # _____
Location _____	
Engineer _____	Contractor _____
PO # _____	Tag _____
Representative _____	



INSTALLATION KIT INCLUDES

- Pre-sloped shower pan
- Pre-formed PET curb & lag screws
- Choice of sheet waterproofing & accessories or liquid waterproofing accessories*
- Small- or large universal flange adaptor
- Weep guard

* Liquid waterproofing not included

** Drain base sold separately

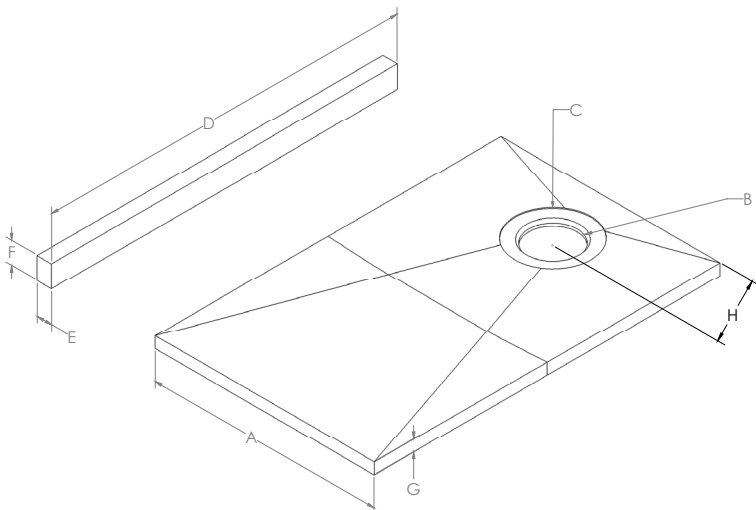
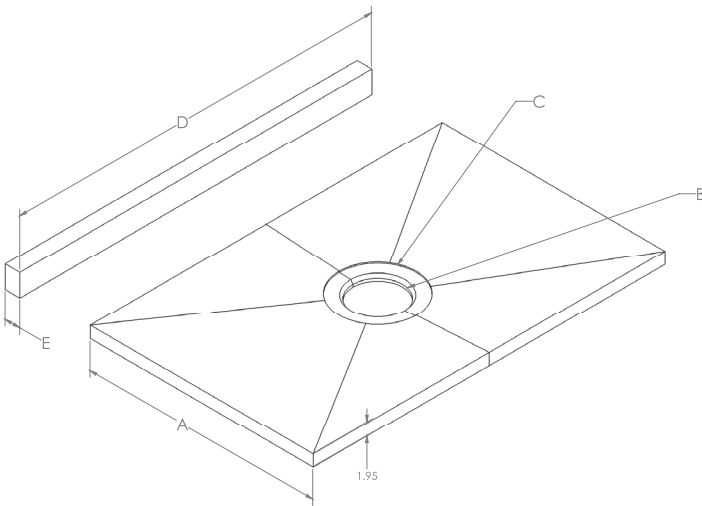
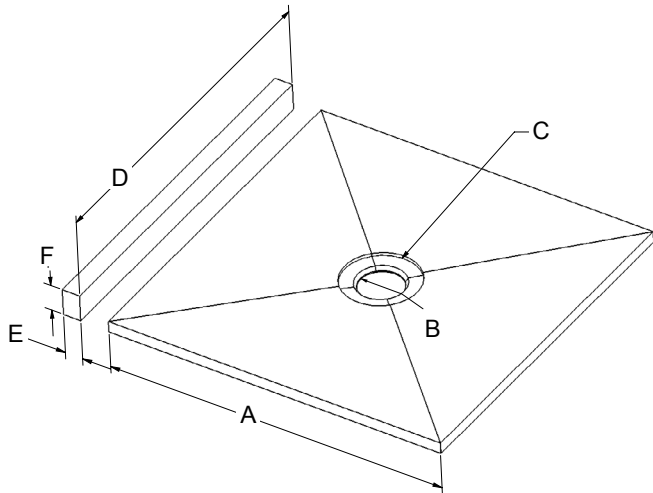
PRODUCT SELECTOR

EXAMPLE: SDPAN-SWP38X60-SFOFF SQUAREDRAIN SHOWER INSTALLATION KIT INCLUDING SHEET WATERPROOFING KIT & ACCESSORIES, 38"x60" PRE-SLOPED SHOWER PAN, AND SMALL UNIVERSAL ADAPTOR FOR 4" SQUAREDRAINS IN AN OFFSET DRAIN LOCATION

SquareDrain Pre-sloped Pan Kit		Waterproofing Method	Pan Size	Universal Flange Adaptor	Drain Location		
✓	WATERPROOFING METHOD	✓	PAN SIZE	✓	UNIVERSAL FLANGE ADAPTOR	✓	DRAIN LOCATION
	SWP = Sheet Waterproofing Membrane Kit		48"x48"	SF = Small for 4" SquareDrain Kits			Centered
	LWP = Liquid Waterproofing Accessories		38"x60"	LF = Large for 5" and 6" SquareDrain Kits			Offset



SQUAREDRAIN SHOWER INSTALLATION KIT TECHNICAL SPECIFICATION



48"X48" INSTALLATION KITS

SDPAN-SWP48x48-SF | SDPAN-LWP48x48-SF

Includes small (SF) Universal Flange Adaptor Conversion Kit and either Sheet Waterproofing (SWP) or liquid (LWP) waterproofing accessories*. Compatible with all 4" SquareDrain Kits (SD04-)

SDPAN-SWP48x48-LF | SDPAN-LWP48x48-LF

Includes large (LF) Universal Flange Adaptor Conversion Kit and either Sheet Waterproofing (SWP) or liquid (LWP) waterproofing accessories*. Compatible with all 5" and 6" SquareDrain Kits (SD05- and SD06-)

[A]:	Pan Size:	48" x 48"	[D]:	Curb Length	48"
[B]:	Thru Hole	SF: 6"	[E]:	Curb Width	2-1/2"
		LF: 8-1/2"			
[C]:	Flange O.D.	SF: 10-1/2"	[F]:	Curb Height	3-13/16"
		LF: 13"			

38"X60" CENTERED OUTLET INSTALLATION KITS

SDPAN-SWP38x60-SF | SDPAN-LWP38x60-SF

Includes small (SF) Universal Flange Adaptor Conversion Kit and either Sheet Waterproofing (SWP) or liquid (LWP) waterproofing accessories*. Compatible with all 4" SquareDrain Kits (SD04-)

SDPAN-SWP38x60-LF | SDPAN-LWP38x60-LF

Includes large (LF) Universal Flange Adaptor Conversion Kit and either Sheet Waterproofing (SWP) or liquid (LWP) waterproofing accessories*. Compatible with all 5" and 6" SquareDrain Kits (SD05- and SD06-)

[A]:	Pan Size:	38" x 60"	[D]:	Curb Length	60"
[B]:	Thru Hole	SF: 6"	[E]:	Curb Width	2-1/2"
		LF: 8-7/16"			
[C]:	Flange O.D.	SF: 10-1/2"	[F]:	Curb Height	3-13/16"
		LF: 13"			

38"X60" OFFSET OUTLET INSTALLATION KITS

SDPAN-SWP38x60-SFOFF | SDPAN-LWP38x60-SFOFF

Includes small (SF) Universal Flange Adaptor Conversion Kit and either Sheet Waterproofing (SWP) or liquid (LWP) waterproofing accessories*. Compatible with all 4" SquareDrain Kits (SD04-)

SDPAN-SWP48x48-LF | SDPAN-SWP38x60-LFOFF

Includes large (LF) Universal Flange Adaptor Conversion Kit and either Sheet Waterproofing (SWP) or liquid (LWP) waterproofing accessories*. Compatible with all 5" and 6" SquareDrain Kits (SD05- and SD06-)

[A]:	Pan Size:	38" x 60"	[D]:	Curb Length	60"
[B]:	Thru Hole	SF: 6"	[E]:	Curb Width	2-1/2"
		LF: 8-7/16"			
[C]:	Flange O.D.	SF: 10-1/2"	[F]:	Curb Height	3-13/16"
		LF: 13"			

* Liquid waterproofing not included.



SHEET MEMBRANE WATERPROOFING KIT TECHNICAL SPECIFICATION

DESCRIPTION

Topical sheet membrane waterproofing and accessories shall be used in residential and commercial applications when creating a watertight shower pan or shower system. Sheet waterproofing must be installed a minimum of 4" above flood rim in a shower pan and can be used to waterproof walls within shower footprint or other surfaces with tile/stone application. Meets ANSI A118.10 and holds IAPMO Listing #8483.

WATERPROOFING KIT INCLUDES

- QTS Sheet Membrane
- Curb Covers (for curbed shower pans)
- Outside Corners (for ADA, curbless shower pans)
- Inside Corners
- QDMUS (sealant)

APPLICATIONS/USES

- Industrial, commercial and residential showers
- Gang showers
- Pet Showers

APPROVALS AND LISTINGS

Before installing the QuickDrain system, check with your local building department/plumbing inspector to ensure compliance with the local building codes. QuickDrain is not responsible for any conflicts with local building codes. QuickDrain is not responsible for improper installation of any part of the assembly or the waterproofing membrane. Dimensions are subject to manufacturer's tolerance and can change without notice.



PRODUCT SELECTOR

SHEET MEMBRANE WATERPROOFING KITS					
✓	Size	Item Code	Kit Components		
			Curb Covers	Inside Corners	QDMUS Sealant
	52" x 78"	SDPAN-SWP38x60-SF	2	4	1
	52" x 78"	SDPAN-SWP38x60-SFOFF	2	4	1
	52" x 78"	SDPAN-SWP38x60-LF	2	4	1
	52" x 78"	SDPAN-SWP38x60-LFOFF	2	4	1
	64" x 78"	SDPAN-SWP48x48-SF	2	4	1
	64" x 78"	SDPAN-SWP48x48-LF	2	4	1

Job Name _____	Item # _____
Location _____	
Engineer _____	Contractor _____
PO # _____	Tag _____
Representative _____	





SHEET MEMBRANE WATERPROOFING TECHNICAL SPECIFICATION

DESCRIPTION

- 78" wide sheet of waterproofing pan liner, sold by the linear foot.
- Two outer layers of polypropylene spunlace non-woven material sandwiching an inner layer of waterproof polyethylene membrane.
- 0.6 mm thick. Easily creased into inside corners.
- Suitable for thin-bed shower waterproofing - No curing - Install tile immediately.

INSTALLATION NOTES

- Install product according to provided instructions.

APPROVALS AND LISTINGS

- UPC 5130
- ANSI A118.10
- ICC-ES PMG-1105

Job Name _____	Item # _____
Location _____	
Engineer _____	Contractor _____
PO # _____	Tag _____
Representative _____	



PHYSICAL PROPERTIES

PHYSICAL PROPERTIES (APPROX.)	DIN	VALUE
Burst pressure: max.	Internal	3.7 bar
Breaking load longitudinal	DIN EN ISO 527-3	139N / 15mm
Breaking load lateral	DIN EN ISO 527-3	42N / 15mm
Extension break longitudinal	DIN EN ISO 527-3	52%
Extension break lateral	DIN EN ISO 527-3	182%
Power absorption at 25% elasticity lateral	DIN EN ISO 527-3	1.5N / mm
Power absorption at 50% elasticity lateral	DIN EN ISO 527-3	1.7N / mm
Resistance to tearing longitudinal	DIN EN 12310-2	54N
Resistance to tearing lateral	DIN EN 12310-2	160N
Resistance to water pressure	DIN EN 1928 (ver. B)	< 1.5 bar
UV-Resistance: min.	DIN EN ISO 4892-2	500 h
Moisture vapor resistance air equivalent (sd)	DIN EN 1931	> 85 m
Bonding strength	DIN EN 1348	> 0.4 N / mm sq

CHEMICAL PROPERTIES

CHEMICAL PROPERTIES	RESISTANCE AFTER STORAGE OVER 7 DAYS AT ROOM TEMP. IN FOLLOWING CHEMICALS	+ = RESISTANT 0 = WEAKENED - = NON-RESISTANT
Hydrochloric acid 3%	Internal	+
Sulphuric acid 35%	Internal	+
Citric acid 100 g/l	Internal	+
Lactic acid 5%	Internal	+
Potassium hydroxide 3% / 20%	Internal	+ / +
Sodium hypochlorite 0.3 g/l	Internal	+
Salt water (20 g/l sea water salt)	Internal	+



Job Name _____	Item # _____
Location _____	
Engineer _____	Contractor _____
PO # _____	Tag _____
Representative _____	

TOPICAL LIQUID WATERPROOFING ACCESSORIES TECHNICAL SPECIFICATION

DESCRIPTION

Topical liquid waterproofing accessories shall be used in residential and commercial applications when creating a watertight shower pan, shower system, or wet room. Liquid membrane must be installed a minimum of 4" above the flood rim in a shower pan and can be used to waterproof walls within shower footprint or other surfaces with tile/stone application. Reinforcement accessories shall be used to bridge joints, create transitional seams or connection within the shower pan and shower system.

Liquid waterproofing accessories for use with any liquid waterproofing: Aqua Defense, Hydroban, 3295, Ardex 8+9, RedGard

WATERPROOFING KIT INCLUDES

- Reinforcement Fabric
- Reinforcement Collar
- Curb Covers (for curbed shower pans)
- Outside Corners (for ADA, curbless shower pans)
- Inside Corners

APPLICATIONS/USES

- Industrial, commercial and residential showers
- Gang showers
- Pet Showers

APPROVALS AND LISTINGS

Before installing the QuickDrain system, check with your local building department/plumbing inspector to ensure compliance with the local building codes. QuickDrain is not responsible for any conflicts with local building codes. QuickDrain is not responsible for improper installation of any part of the assembly or the waterproofing membrane. Dimensions are subject to manufacturer's tolerance and can change without notice.



PRODUCT SELECTOR

SQUAREDRAIN LIQUID APPLIED WATERPROOFING KITS					
✓	Item Code	Reinforcement Collar Size	Kit Components		
			Curb Covers	Inside Corners	Reinforcement Fabric
	SDPAN-LWP48x48-SF	Small	2	4	1
	SDPAN-LWP38x60-SFOFF	Small	2	4	1
	SDPAN-LWP38x60-SF	Small	2	4	1
	SDPAN-LWP48x48-LF	Large	2	4	1
	SDPAN-LWP38x60-LFOFF	Large	2	4	1
	SDPAN-LWP38x60-LF	Large	2	4	1



Job Name _____	Item # _____
Location _____	
Engineer _____	Contractor _____
PO # _____	Tag _____
Representative _____	

UNIVERSAL FLANGE ADAPTOR CONVERSION KIT TECHNICAL SPECIFICATION

DESCRIPTION

The QuickDrain Universal Flange Adaptor is made of reinforced nylon and molded in the USA. It is available in two sizes: large (13") and small (10-1/2"). The flange adaptor shall have universal bolt slots and Phillips head screws which can be fastened to most drain bases. It shall have a molded TPE dual profile gasket which seals to most PVC/ABS drain bases to upgrade or retrofit from traditional pan liner to topical membrane waterproofing. It shall have integrated threads and a weep zone to allow water to properly migrate to the drain. The flange shall be textured to bond topical fabric membrane with thinset and compatible to liquid applied waterproofing.

APPLICATIONS/USES

- Industrial, commercial and residential showers
- Gang showers
- Pet Showers

SUITABLE SUBSTRATES (INTERIOR ONLY)

- Concrete
- Exterior Glue Plywood
- Cement backer board**
- OSB or Avantech

**Consult cement backer board manufacturer for specific installation recommendations

FLANGE ADAPTOR CONVERSION KIT INCLUDES:

Flange Adaptor (1), Weep Guard (1), Phillips Head Screws (4)

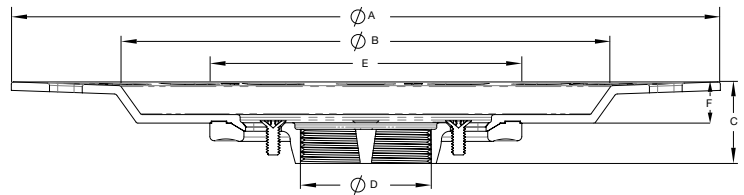
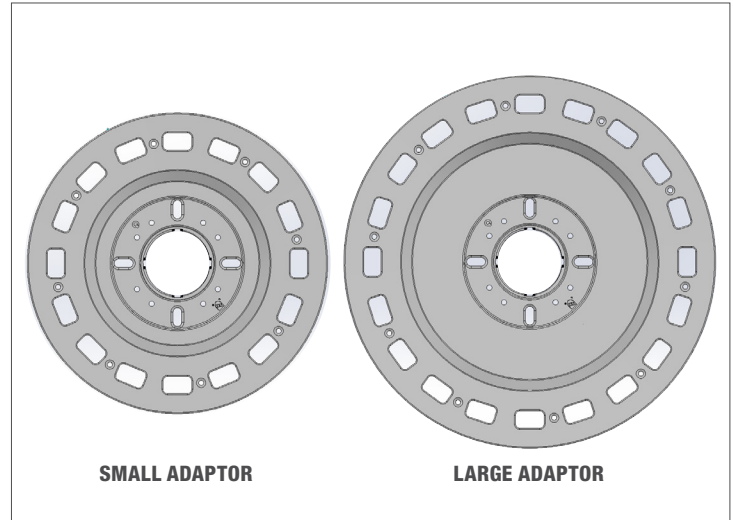
APPROVALS AND LISTINGS

Before installing the QuickDrain system, check with your local building department/plumbing inspector to ensure compliance with the local building codes. QuickDrain is not responsible for any conflicts with local building codes. QuickDrain is not responsible for improper installation of any part of the assembly or the waterproofing membrane. Dimensions are subject to manufacturer's tolerance and can change without notice.



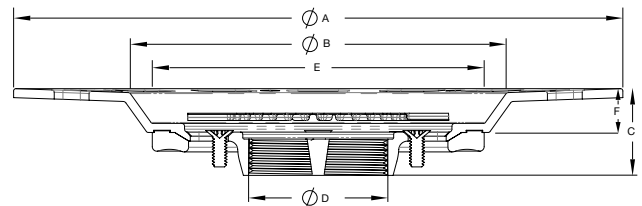
PRODUCT SELECTOR

FLANGE ADAPTOR CONVERSION KIT		
✓	Flange Adaptor Size	Included with:
	Small, Universal	SDPAN-SWP48x48-SF SDPAN-SWP38x60-SFOFF SDPAN-SWP38x60-SF SDPAN-LWP48x48-SF SDPAN-LWP38x60-SFOFF SDPAN-LWP38x60-SF
	Large, Universal	SDPAN-SWP48x48-LF SDPAN-SWP38x60-LFOFF SDPAN-SWP38x60-LF SDPAN-LWP48x48-LF SDPAN-LWP38x60-LFOFF SDPAN-LWP38x60-LF



DIMENSIONS - LARGE ADAPTOR

[A]:	Width	13"	[D]:	Hub Dimension	2" Sch 40
[B]:	Recess Width	9"	[E]:	Compatible Drain Bodies	5", 6"
[C]:	Height	4"	[F]:	Drain Body Depth	1/4"



DIMENSIONS - SMALL ADAPTOR

[A]:	Width	10-1/2"	[D]:	Hub Dimension	2" Sch 40
[B]:	Recess Width	6-1/2"	[E]:	Compatible Drain Bodies	4"
[C]:	Height	4"	[F]:	Drain Body Depth	1/4"

Drain base sold separately. Universal Flange Adaptor is compatible to most PVC/ABS drain bases including Oatey®, Jones Stephens™, Sioux Chief, and AB&A™ models. Please reach out to Technical Support for additional information.