



130 SERIES SHOWER PAN DRAINS TECHNICAL SPECIFICATION

Job Name _____	Item # _____
Location _____	
Engineer _____	Contractor _____
PO # _____	Tag _____
Representative _____	

SPECIFICATIONS

Oatey 130 series shower pan drains shall be used in residential and commercial applications when connecting to a DWV system. The countersunk holes are used to secure the flange base to the subfloor with an approved fastener. The shower pan drain shall have a solvent weld connection over 2" Sch. 40 DWV hub connection which conforms to ASTM D2665 (PVC) or D2661 (ABS). The shower drain base is available in PVC and ABS and can be solvent welded over 2" Sch. 40 or solvent welded inside 3" Sch. 40 DWV. Strainer shall meet all necessary load and flow requirements for installations in shower areas. Base accepts 130 series 1/4 Turn Test Plug, which holds 40 ft of head pressure. Clamp collar ring fastens by use of hex bolts that thread into brass inserts and has improved weep holes and channels, which can be inverted to achieve an additional 1" in finished height.

FEATURES AND MATERIALS

Drain Base & Barrel	PVC, ABS
Strainer	18 Gauge 304 Stainless Steel
Test Plug	Polypropylene with SBR Gasket

APPROVALS AND LISTINGS



Uniform Plumbing Code (UPC®)



National Plumbing Code of Canada



International Plumbing Code (IPC®)



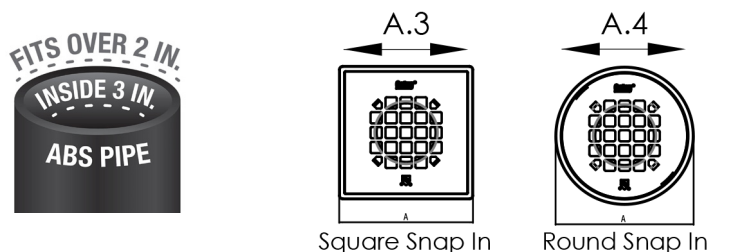
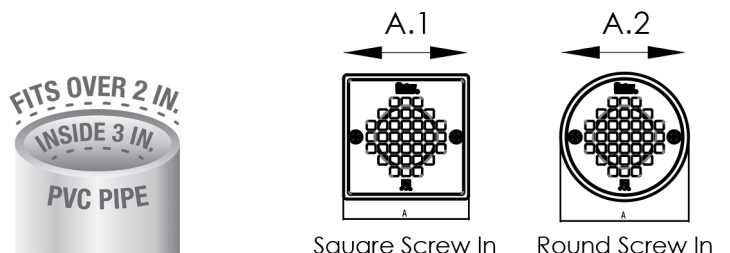
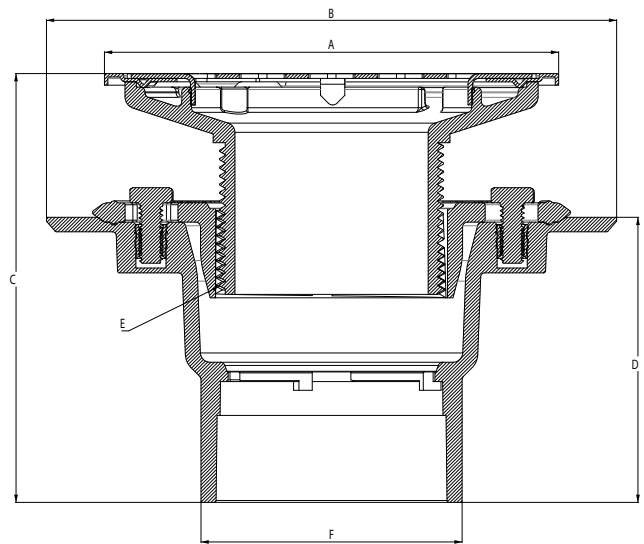
ASME A112.18.2-2015/CSA B125.2-15

DIMENSIONS

[A]:	Strainer Dimension	See table below
[B]:	Flange Diameter	5.90"
[C]:	Overall Height	3.75"-5"
[D]:	Base Height	2.95"
[E]:	Barrel Thread	2"-11.5 NPSM
[F]:	Hub Connection	2" Sch. 40

STRAINER DIMENSIONS:

STRAINER FLOW CAPACITY: 7 GPM 27 L/M		
A.1	Square Screw-In	4.26"
A.2	Round Screw-In	4.37"
A.3	Square Snap-In	4.54"
A.4	Round Snap-In	4.7"



Access BIM/Revit content through www.oatey.com



130 SERIES SHOWER PAN DRAINS TECHNICAL SPECIFICATION

PRODUCT SELECTOR

130 SERIES SHOWER PAN DRAINS

✓	Product Number	Description	Material	Strainer Style	Strainer Type	Finish	Test Plug Included
	42278	Barrel Only	ABS	Square	Screw-In	Brushed Nickel	No
	42290	Barrel Only	ABS	Square	Snap-In	Brushed Nickel	No
	42284	Barrel Only	ABS	Round	Screw-In	Brushed Nickel	No
	42296	Barrel Only	ABS	Round	Snap-In	Brushed Nickel	No
	42276	Barrel Only	ABS	Square	Screw-In	Polished Stainless Steel	No
	42288	Barrel Only	ABS	Square	Snap-In	Polished Stainless Steel	No
	42282	Barrel Only	ABS	Round	Screw-In	Polished Stainless Steel	No
	42294	Barrel Only	ABS	Round	Snap-In	Polished Stainless Steel	No
	42280	Barrel Only	ABS	Square	Screw-In	Oil Rubbed Bronze	No
	42292	Barrel Only	ABS	Square	Snap-In	Oil Rubbed Bronze	No
	42286	Barrel Only	ABS	Round	Screw-In	Oil Rubbed Bronze	No
	42298	Barrel Only	ABS	Round	Snap-In	Oil Rubbed Bronze	No
	42265	Full Assembly	ABS	Square	Snap-In	Polished Stainless Steel	No
	42267	Full Assembly	ABS	Square	Screw-In	Polished Stainless Steel	No
	42274	Full Assembly	ABS	Square	Screw-In	Polished Stainless Steel	Yes
	42261	Full Assembly	ABS	Round	Snap-In	Polished Stainless Steel	No
	42262	Full Assembly	ABS	Round	Screw-In	Polished Stainless Steel	No
	42272	Full Assembly	ABS	Round	Screw-In	Polished Stainless Steel	Yes
	42269	Clamping Collar and Fasteners	ABS	-	-	-	No
	42277	Barrel Only	PVC	Square	Screw-In	Brushed Nickel	No
	42289	Barrel Only	PVC	Square	Snap-In	Brushed Nickel	No
	42283	Barrel Only	PVC	Round	Screw-In	Brushed Nickel	No
	42295	Barrel Only	PVC	Round	Snap-In	Brushed Nickel	No
	42279	Barrel Only	PVC	Square	Screw-In	Oil Rubbed Bronze	No
	42291	Barrel Only	PVC	Square	Snap-In	Oil Rubbed Bronze	No
	42285	Barrel Only	PVC	Round	Screw-In	Oil Rubbed Bronze	No
	42297	Barrel Only	PVC	Round	Snap-In	Oil Rubbed Bronze	No
	42275	Barrel Only	PVC	Square	Screw-In	Polished Stainless Steel	No
	42287	Barrel Only	PVC	Square	Snap-In	Polished Stainless Steel	No
	42281	Barrel Only	PVC	Round	Screw-In	Polished Stainless Steel	No
	42293	Barrel Only	PVC	Round	Snap-In	Polished Stainless Steel	No
	42264	Full Assembly	PVC	Square	Snap-In	Polished Stainless Steel	No
	42266	Full Assembly	PVC	Square	Screw-In	Polished Stainless Steel	No
	42273	Full Assembly	PVC	Square	Screw-In	Polished Stainless Steel	Yes
	42260	Full Assembly	PVC	Round	Snap-In	Polished Stainless Steel	No
	42263	Full Assembly	PVC	Round	Screw-In	Polished Stainless Steel	No
	42271	Full Assembly	PVC	Round	Screw-In	Polished Stainless Steel	Yes
	42268	Clamping Collar and Fasteners	PVC	-	-	-	No
	42270	Test Plug	-	-	-	-	Yes

Access BIM/Revit content through www.oatey.com



130 SERIES SHOWER PAN DRAINS TECHNICAL SPECIFICATION

PRODUCT SELECTOR

130 SERIES SHOWER PAN DRAIN ACCESSORIES							
✓	Product Number	Description	Material	Strainer Style	Strainer Type	Finish	Test Plug Included
	42330	Strainer w/ Ring	-	Square	Screw-In	Polished Stainless Steel	-
	42331	Strainer w/ Ring	-	Square	Screw-In	Brushed Nickel	-
	42332	Strainer w/ Ring	-	Square	Screw-In	Oil Rubbed Bronze	-
	42418	Strainer w/ Ring	-	Square	Screw-In	Matte Black	-
	42365	Strainer w/ Ring	-	Square	Screw-In	Brushed Gold	-
	42333	Strainer w/ Ring	-	Round	Screw-In	Polished Stainless Steel	-
	42334	Strainer w/ Ring	-	Round	Screw-In	Brushed Nickel	-
	42335	Strainer w/ Ring	-	Round	Screw-In	Oil Rubbed Bronze	-
	42420	Strainer w/ Ring	-	Round	Screw-In	Matte Black	-
	42364	Strainer w/ Ring	-	Round	Screw-In	Brushed Gold	-
	42336	Strainer w/ Ring	-	Square	Snap-In	Polished Stainless Steel	-
	42337	Strainer w/ Ring	-	Square	Snap-In	Brushed Nickel	-
	42338	Strainer w/ Ring	-	Square	Snap-In	Oil Rubbed Bronze	-
	42419	Strainer w/ Ring	-	Square	Snap-In	Matte Black	-
	42363	Strainer w/ Ring	-	Square	Snap-In	Brushed Gold	-
	42339	Strainer w/ Ring	-	Round	Snap-In	Polished Stainless Steel	-
	42340	Strainer w/ Ring	-	Round	Snap-In	Brushed Nickel	-
	42341	Strainer w/ Ring	-	Round	Snap-In	Oil Rubbed Bronze	-
	42421	Strainer w/ Ring	-	Round	Snap-In	Matte Black	-
	42362	Strainer w/ Ring	-	Round	Snap-In	Brushed Gold	-

Access BIM/Revit content through www.oatey.com