

PARADISE



Paradise ShowerSpa Model #7002-SSB Owner's Manual



Paradise ShowerSpa Model 7002-SSB

Please Read The Following Instructions COMPLETELY Before Beginning!

Our goal is to ensure your installation goes smoothly and safely. Please read these instructions carefully and follow recommendations for plumbing and mounting.

After reading instructions, if you determine you do not have the necessary skills and/or tools, we recommend that a licensed plumbing contractor complete the installation.

If you encounter any problems during installation
& CUSTOMER SUPPORT VISIT
WWW.PULSESHOWERSPAS.COM
Before returning your ShowerSpa to the store

You Will Need The Following Tools

Soft pencil or felt pen to mark tile

Safety glasses

Tape measure

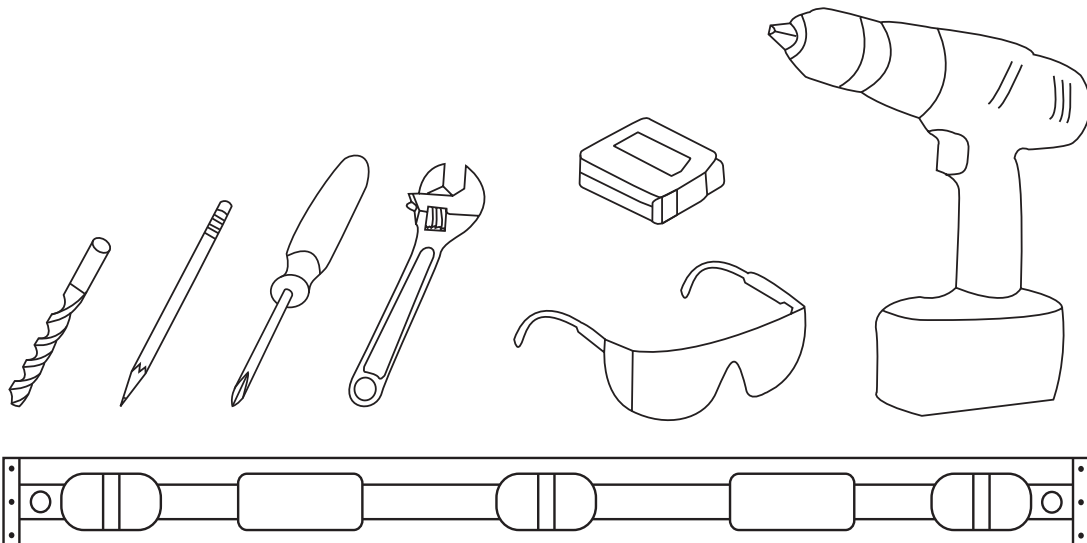
Level

Channel locks or adjustable wrench

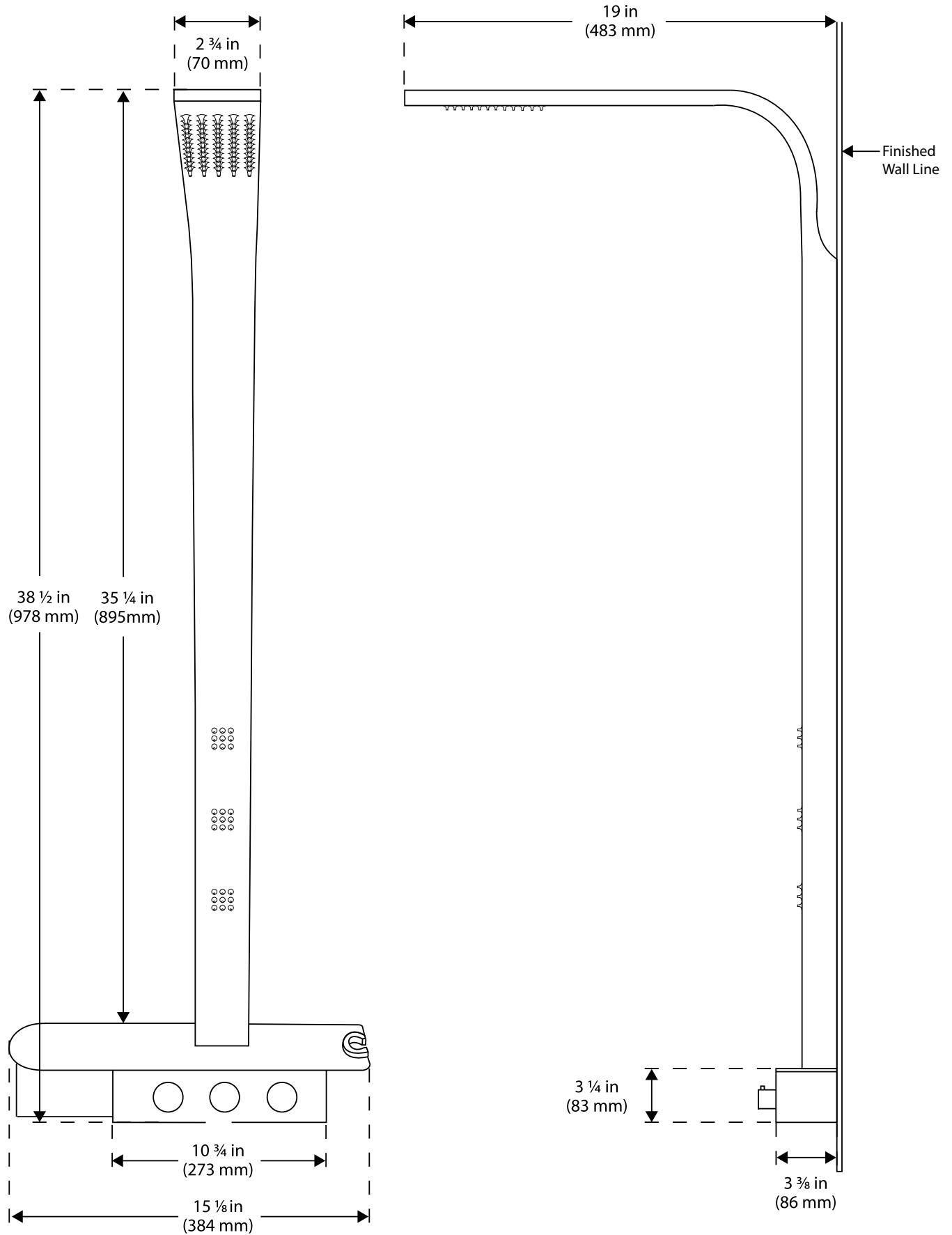
Drill (Preferably cordless)

¼" Masonry drill bit

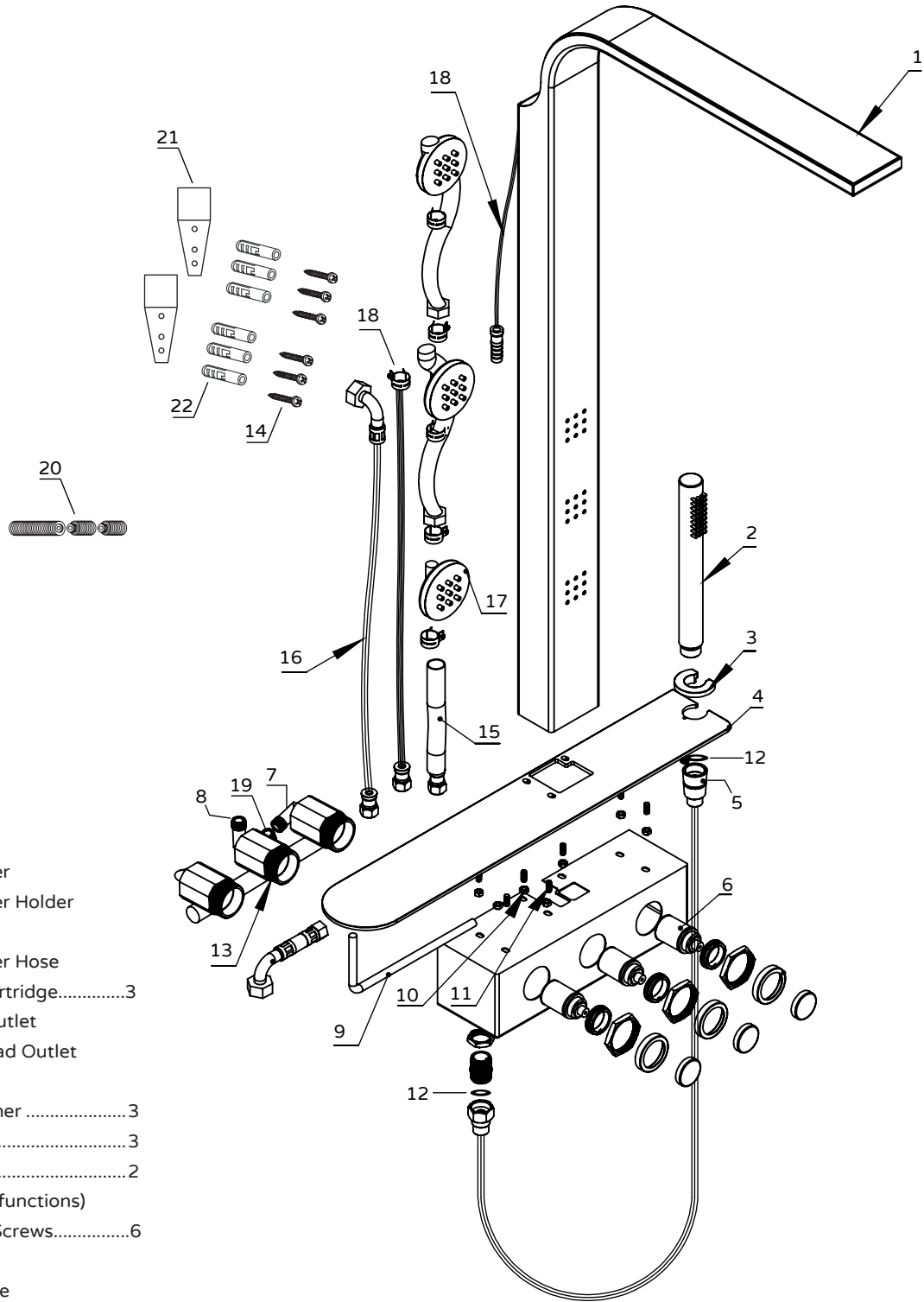
Phillips screwdriver



Product Dimensions



Parts Legend



1. ShowerSpa
2. Handshower
3. Handshower Holder
4. Shelf
5. Handshower Hose
6. Diverter Cartridge.....3
7. Body Jet Outlet
8. Shower Head Outlet
9. Tower Bar
10. Metal Washer3
11. Studs3
12. Washer.....2
13. Diverter (3 functions)
14. Mounting Screws.....6
15. Jet Hose
16. Supply Hose
17. Body Jets
18. Shower Head Hose
19. Supply Inlet
20. Nipple...1 with extensions..2
21. Wall Mount.....2
22. Nylon Anchors.....6

Assembly

After unpacking your ShowerSpa, some assembly is required prior to installation.

Shelf Assembly

1. Place ShowerSpa (1) onto top of shelf (4) and insert shelf studs (11) through holes.
2. Place metal washers (10) on screws (11) and secure shelf mounting nuts to underside of shelf. Use a wrench to tighten.

Diverter Hose Assembly

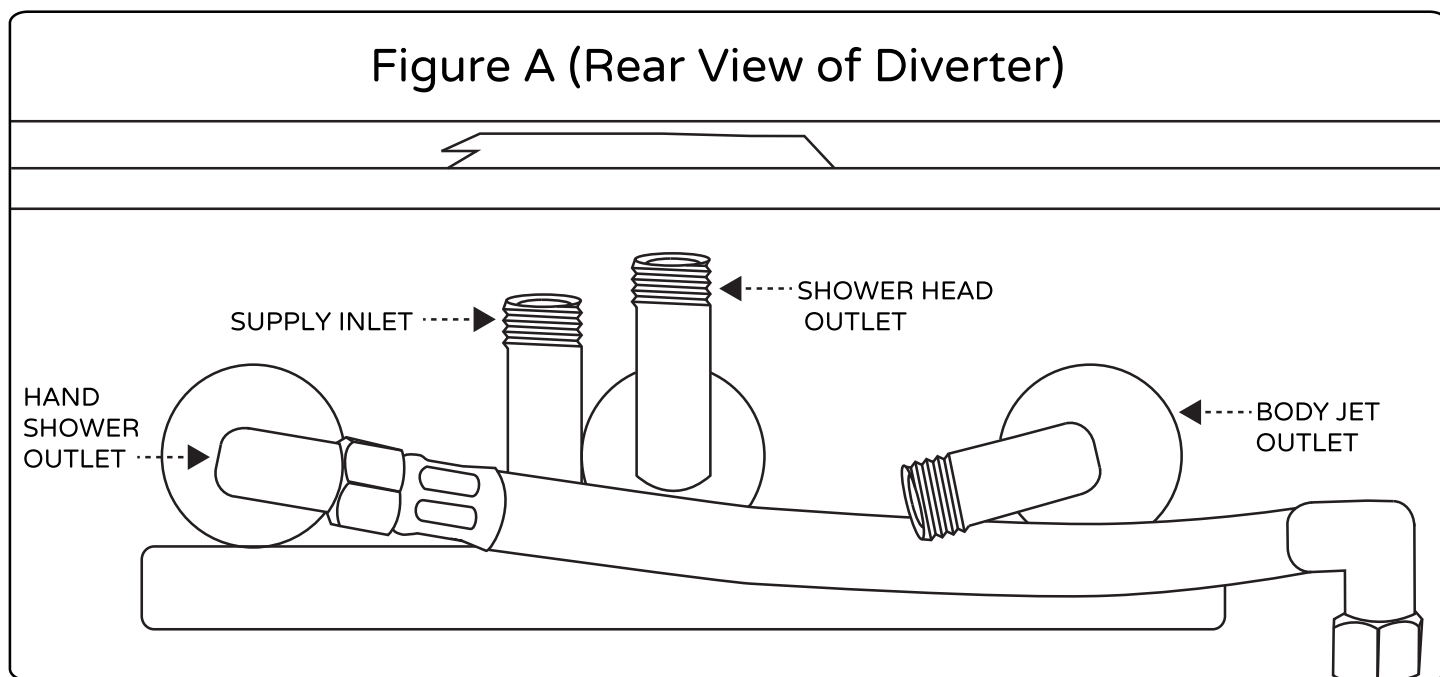
1. Attach jet hose (15) to jet outlet (7) located on diverter (13). Make sure jet hose (15) is attached to outlet located on right side when facing the back of the ShowerSpa (1). Tighten with wrench.
2. Attach rain shower hose (18) to rain shower outlet which is the highest outlet located in the center of the diverter (13) when facing the back of the unit. Tighten with wrench.
3. Attach supply hose (16) to supply inlet (19) located on diverter (13). Make sure supply hose (16) is attached to outlet which is located closest to back of ShowerSpa (1). Tighten with wrench.

PLEASE REFER TO FIGURE A (REAR VIEW OF DIVERTER) FOR DETAILED DRAWING

Hand Shower Assembly

1. Insert washer (12) into hexagon-shaped end of hand shower hose (5) and attach to threaded outlet on bottom of ShowerSpa (1). Do not over-tighten.
2. Insert washer (12) into tapered end of hand shower hose (5) and attach to hand shower (2). Insert hand shower into holder (3).

Figure A (Rear View of Diverter)



Installation

Thank you for choosing the Paradise Shower System by PULSE ShowerSpas!

Assembly and installation of the Paradise ShowerSpa is designed to be quick and easy. If you have installation questions or performance problems, visit www.pulshower spas.com for customer support.

Please read instructions carefully, become familiar with all parts, installation procedures, and tools required. Follow the steps in the order presented to help avoid any mistakes.

FOR NEW CONSTRUCTION OR COMPLETE REMODEL

- A hot/cold mixing valve is required (NOT INCLUDED)
- Nipple should extend $\frac{1}{2}$ " past finished wall surface

FOR FIBERGLASS ENCLOSURES

IMPORTANT: PULSE does not recommend mounting through fiberglass wall surfaces without adequate wood or sheetrock backing! If mounting Paradise to a fiberglass wall you must purchase appropriate mounting hardware (sold separately).

TOOLS REQUIRED

Phillips screwdriver, adjustable wrench, level, pencil or marker, drill, $\frac{1}{4}$ " masonry/tile drill bit.

INSTALLATION

1. Remove your showerhead and escutcheon (trim cover) from your existing shower arm. Leave shower arm in place.
2. Determine the length of brass nipple (20) needed: 2" nipple with $\frac{3}{4}$ " extensions (20) provided.
 - a. Place mark on existing shower arm at wall surface. Unscrew shower arm from elbow in wall.
 - b. Measure distance from mark on shower arm to end of shower arm threads. Add $\frac{1}{2}$ " to this measurement, and then round to nearest $\frac{1}{2}$ ".

Example 1: If measurement = $1\frac{1}{4}$ ", add $\frac{1}{2}$ " = $1\frac{3}{4}$ ", rounded = 2" nipple—this is the length needed.

Example 2: If measurement = $1\frac{5}{8}$ ", add $\frac{1}{2}$ " = $2\frac{1}{8}$ ", rounded = 2" nipple—this is the length needed.

NOTE: If $\frac{1}{2}$ " X $1\frac{1}{2}$ " nipple (1) provided is not correct length based on previous formula, it may be necessary to purchase required length $\frac{1}{2}$ " brass nipple (available at most hardware stores in $\frac{1}{2}$ " incremental lengths).

3. Apply a generous amount of PTFE (plumber's) tape to both ends of nipple (20) and screw nipple into fitting which old shower arm was screwed into. DO NOT OVERTIGHTEN.
4. Hold Paradise up to the wall and determine preferred mounting location. Evaluate showerhead and body jet heights, making certain supply hose (16) reaches nipple (20).
5. Use a level to check for vertical (plumb) position.
6. Mark wall at wall mount crossbar locations found on back of Paradise for reference.
7. Reposition mounts (21) to marks on wall. Mark location of screw holes in each mount on wall for drilling.
8. For solid surface walls (tile, marble, granite, etc.) use a masonry/tile bit and drill a $\frac{1}{4}$ " hole at marks for each mount that is $1\frac{1}{2}$ " deep. BEWARE—LIVE PLUMBING IN WALL!
9. Insert nylon anchors (22) into holes and secure mounts (21) to wall with mounting screws (14).
10. Insert rubber washer (12) into hexagon shaped end of supply hose (16) and tighten onto nipple (20) with adjustable wrench. DO NOT OVERTIGHTEN!
12. Place Paradise onto wall mounts. (Firmly press down).
13. OPTIONAL—Seal around body of ShowerSpa with a bead of silicone. DO NOT SEAL BOTTOM!

Usage

Push Button Brass Diverter

The Push Button brass diverter is used to change between ShowerSpa functions. Simply push the button to switch functions

Rain Showerhead

The rain showerhead provides the relaxing feel of soft rain with silicone tips for rub clean, Spray-Straight™ performance.

Hand Shower

The brass hand shower has a sleek wand-shaped design that delivers a satisfying power-spray pattern with a stainless steel hose.

Body Jets

Three single-function jets provide a soothing spray with silicone tips for rub clean, Spray-Straight™ performance.

Care and Maintenance

Always blot dry any water from the surface of your ShowerSpa. To protect your ShowerSpa from hard water stains and mineral deposits, use an auto spray wax periodically and wipe down your ShowerSpa after each use. Allowing water to evaporate on the surface can lead to a buildup of mineral deposits. Cleaning with a damp, non-abrasive sponge and drying with a clean, soft cloth should help keep your ShowerSpa looking beautiful.

R E M E M B E R

Never use any abrasives or harsh cleaners!

Clean with mild soap and water ONLY!

To keep your ShowerSpa in pristine condition,
DRY AFTER EACH USE!

Manufacturer's Lifetime Limited Warranty

1. Defects Covered; Warranty Period. Pulse Shower Spas, Inc. ("Pulse") warrants to the original consumer purchaser who purchases this shower spa (the "Product") for use in his or her own home, that the Product will be free from defects in material and manufacturing workmanship for as long as the original consumer purchaser owns that same home. For all other purchasers (including, but not limited to purchasers for industrial, commercial and business use), the above warranty will apply for a period of 5 years from the original date of purchase.

2. Remedy. If the Product does not conform to the above warranty, Pulse, at its option, will repair or replace the Product, free of charge, or refund your purchase price. For warranty claims, please visit www.pulshowerspas.com/index.php/warranty. Pulse may require that you return the Product to Pulse, shipping prepaid, in which case Pulse will provide you with a return materials authorization number (RMA). Pulse may also require that you provide evidence of the date you purchased the Product. Pulse will ship a new or repaired Product to you, at the expense of Pulse, or refund your purchase price. Service labor performed by you or others in connection with the removal or replacement of the Product will not be reimbursed by Pulse.

3. Exclusions. Pulse shall not be responsible for failure of the Product, and the above warranties will not apply, if the Product fails as a result of improper installation, improper use, modifications or repairs by anyone other than Pulse, or accident or abuse (including damage during shipment).

4. Warranty on Repairs and Replacements. For consumer purchasers who purchased the Product for home use, repaired or replacement Products will continue to be covered under this warranty for as long as he or she owns that same home. For other purchasers, repaired or replacement Products will be covered for the balance of the original warranty period.

5. No Other Warranties; Limitation of Liability. OTHER THAN THE LIFETIME LIMITED WARRANTY STATED ABOVE, PULSE DISCLAIMS ALL OTHER WARRANTIES, EXPRESS OR IMPLIED, INCLUDING BUT NOT LIMITED TO WARRANTIES OF MERCHANTABILITY AND FITNESS FOR A PARTICULAR PURPOSE, TO THE EXTENT PERMITTED BY APPLICABLE LAW. THE REMEDIES STATED ABOVE ARE YOUR SOLE REMEDIES IN CONNECTION WITH THIS WARRANTY. IN NO EVENT WILL PULSE BE LIABLE TO YOU FOR ANY DAMAGES, WHETHER DIRECT, INDIRECT, INCIDENTAL, SPECIAL OR CONSEQUENTIAL, INCLUDING BUT NOT LIMITED TO LOST PROFITS OR BUSINESS INTERRUPTION, ARISING OUT OF OR RELATING TO THE PRODUCT OR ITS USE, WHETHER UNDER A CONTRACT, WARRANTY, TORT, OR ANY OTHER CAUSE OF ACTION, EVEN IF PULSE HAS BEEN ADVISED OF THE POSSIBILITY OF SUCH DAMAGES. NOTWITHSTANDING THE TERM OF ANY LIMITED OR IMPLIED WARRANTY, OR IN THE EVENT THAT ANY LIMITED WARRANTY FAILS OF ITS ESSENTIAL PURPOSE, IN NO EVENT WILL PULSE'S ENTIRE LIABILITY EXCEED THE PURCHASE PRICE OF THE PRODUCT. SOME STATES AND PROVINCES DO NOT ALLOW THE EXCLUSION OR LIMITATION OF INCIDENTAL OR CONSEQUENTIAL DAMAGES SO THE ABOVE LIMITATIONS OR EXCLUSIONS MAY NOT APPLY TO YOU. THIS LIMITED WARRANTY GIVES YOU SPECIFIC LEGAL RIGHTS, AND YOU MAY ALSO HAVE OTHER RIGHTS WHICH VARY FROM STA

