



PULSE Freestanding Tub

Model # PT-1051

Specification Sheet

297 Anna St. | Watsonville, CA 95076
 831.724.7300
 www.PulseShowerSpas.com



TECHNICAL INFORMATION

- Installation: Freestanding
- Color: Polished White Acrylic
- Max Weight: 1102.31LBS (500kg)
- Product Weight: 77 lbs
- Water Capacity: 50.73 gal
- Box Dims: 70"x31"x31"
- Drain Location: Center

PRODUCT FEATURES

- 100% polished white acrylic material
- Bathtub with waste/overflow
- Integral Slotted overflow allows for deep soaking

NOTES

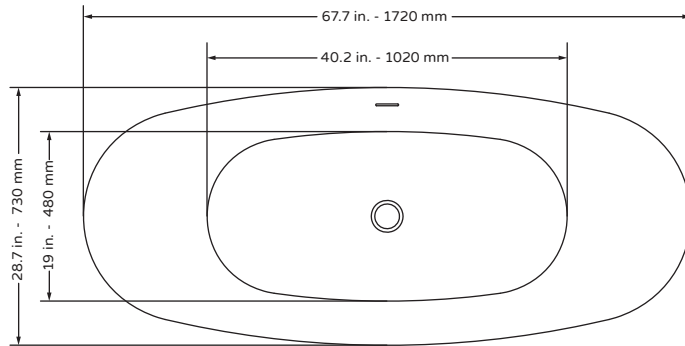
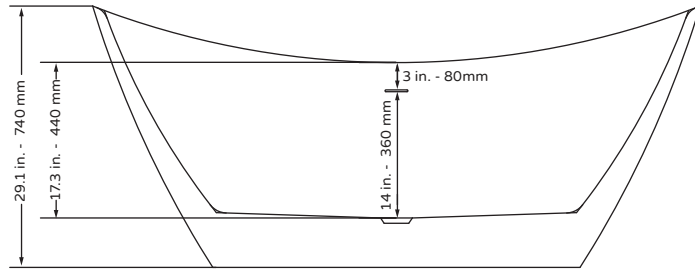
- Measure your actual product for rough-in details
- Install this product according to the installation instructions
- Allow for 3" (76mm) diameter of clearance around the drain pipe on finished floor material to prevent drain body interference during installation
- Drain sold separately

CODE/STANDARDS

- cUPC Approved

WARRANTY

- 5 Years



POP-UP DRAIN

