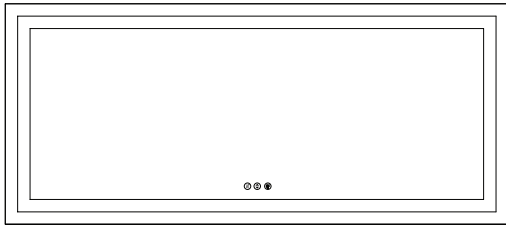


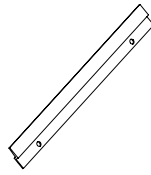
Questions? Call our customer service department at 1-877-706-3267, 8 a.m. - 5 p.m. Central Time, Monday - Friday.

LED LIGHTED MIRROR

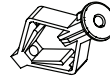
Model #59008, 59009



Mirror



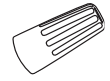
Mounting Bracket
x2



Drywall Anchor
x4

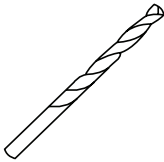
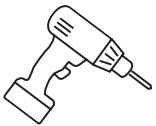


Screw
x4

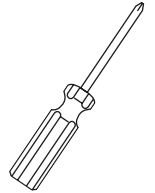
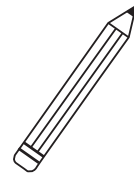
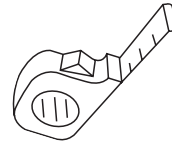
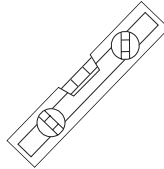


Wire Connector
x3

TOOLS REQUIRED (not included)



1/4" Drill Bit



SAFETY INSTRUCTIONS

Read instructions completely before installing the mirror.

⚠ WARNING:

- If the colors of the household supply wires are different than what is referred to in the instructions below, a professional electrician should determine proper wiring.
- An electrical mirror must be wired to a 20 amp GFCI (Ground Fault Circuit Interruptor) when used in a bathroom and all other locations required by the National Electrical Code.

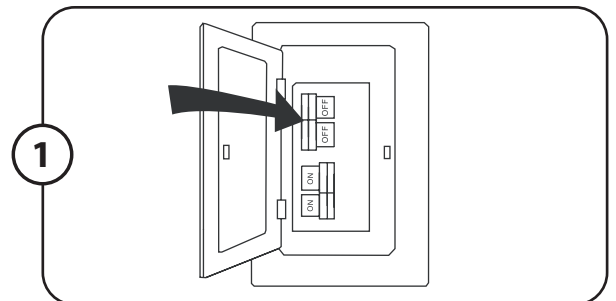
CAUTION:

- Rated for damp locations. Not suitable for outdoor use.
- Be sure the outlet box is properly grounded or that a green or bare (ground) wire is present.
- You may need a second person to support the mirror during installation.

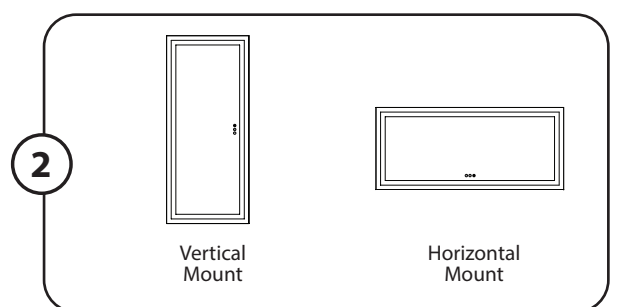
ASSEMBLY INSTRUCTIONS

1. Turn off circuit breakers and wall switch to the mirror.

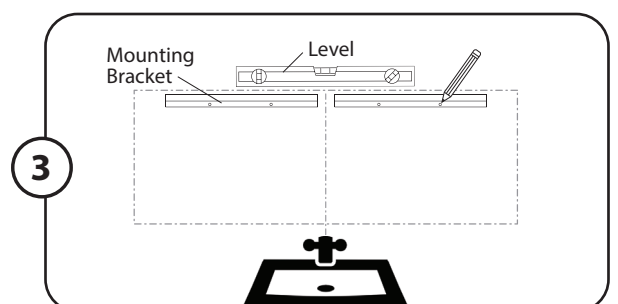
⚠ DANGER: Failure to disconnect power supply prior to installation may result in serious injury or death.



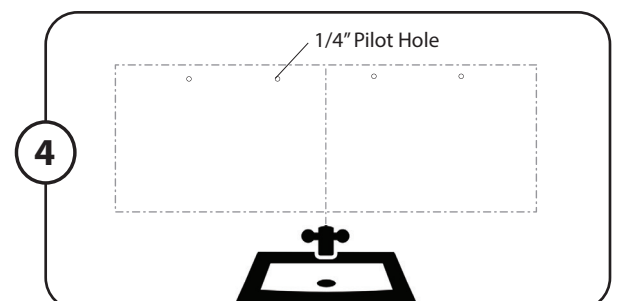
2. Determine the orientation of the mirror. The mirror can be mounted either direction.



3. Use a mounting bracket and a level (not included) to mark the location of the pilot holes.

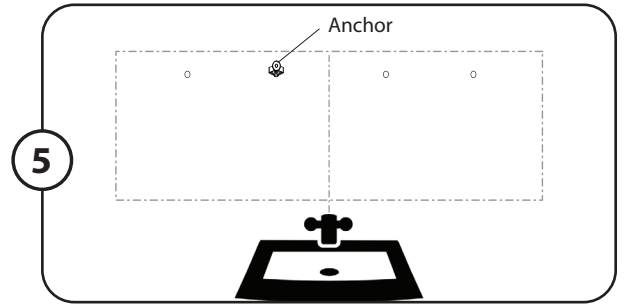


4. Use 1/4" diameter drill bit (not included) to drill the pilot holes for the drywall anchors.

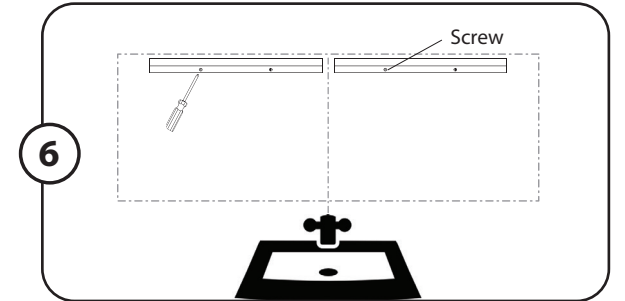


ASSEMBLY INSTRUCTIONS

5. Use a hammer (not included) to tap the drywall anchors into the pilot holes.

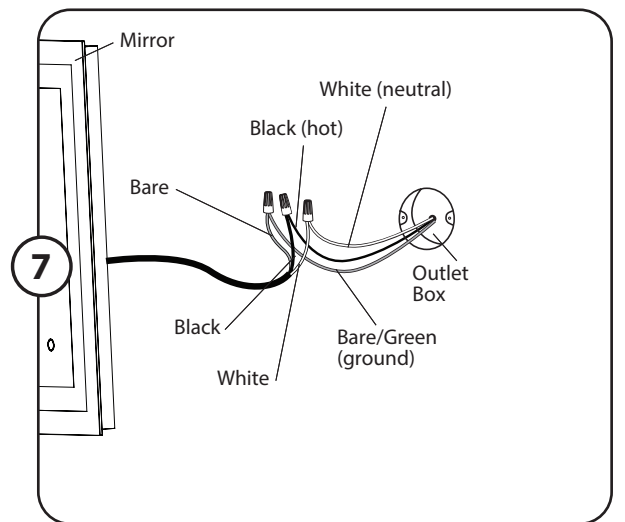


6. Use 4 screws from hardware bag to install the mounting bracket.



7. Secure all wire connections with wire connectors according to diagram and these steps:
- Connect the Bare wire from the fixture to the Bare/Green (ground) supply wire.
 - Connect the Black wire from the fixture to the Black (hot) supply wire.
 - Connect the White wire from the fixture to the White (neutral) supply wire.

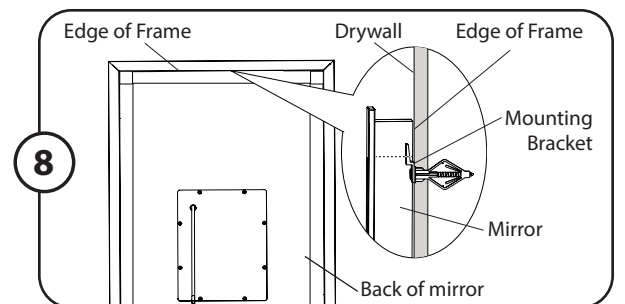
Note: If household supply wires are different colors than referred to above, it is recommended a professional electrician determines the proper wiring.



8. Lift the mirror onto the mounting bracket. **Note:** Ensure the edge of the frame interlocks with the mounting bracket on the wall.

Turn on power supply at the breaker box and wall switch to the mirror.

Assembly is complete.



OPERATING INSTRUCTIONS

When power is on, active buttons will be white and inactive buttons will be blue.



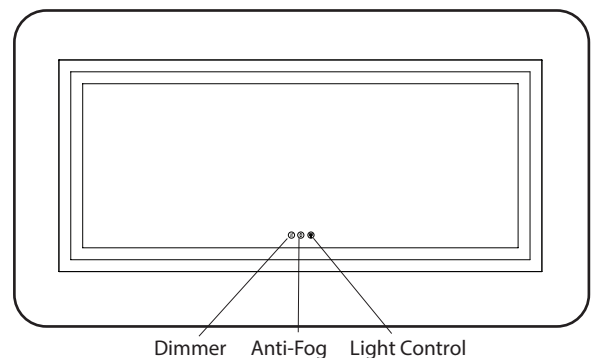
Light Control - Tap button to turn the light off and on. Press and hold to change the color temperature from 3000K (warm white) to 4000K (neutral white) to 6000K (daylight). **Note:** When power is turned on, the light will come on at the last setting.



Anti-fog feature - The anti-fog button will automatically activate when mirror light is turned on.



Dimmer - Press and hold to dim or brighten the light.



3-YEAR LIMITED WARRANTY

To obtain service, please contact Customer Service: 1-877-706-3267, 8 a.m. - 5 p.m. Central Time, Monday - Friday.

The manufacturer warrants all of its mirrors against defects in materials and workmanship for three (3) years from the date of purchase. If within this period the product is found to be defective, take a copy of the bill of sale as a proof of purchase and the product in its original carton to the place of purchase. The manufacturer will, at its option, repair, replace or refund the purchase price to the consumer. All costs of installation and removal of the fixture is the responsibility of the consumer. This warranty does not cover fixtures becoming defective due to misuse, accidental damage or improper handling and/or installation and specifically excludes liability for direct, incidental or consequential damages. As some states do not allow exclusions of limitations on an implied warranty, the above exclusion and limitation may not apply. This warranty gives you specific rights and you may also have other rights which may vary from state to state.