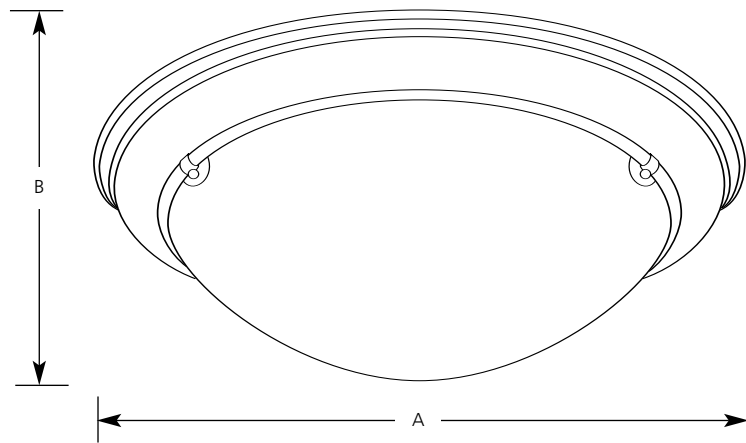


Type \_\_\_\_\_  
 -10 -13  
 P3564

Catalog No.	Finish		Lamping	Socket	Dimensions (Inches)	
	Polished Brass	Brushed Steel			A	B
P3564	-10	-13	3-13w Twin CF	GX23	19-3/8	5-1/2



**Specifications:**

General

- Flush mount design
- Steel construction with Polished Brass (-10) or Brushed Steel (-13) finish
- Satin white glass
- Companion foyer, semi-flush and wall sconce

Mounting

- Ceiling mount
- Covers outlet box
- Mounting strap for outlet box included
- Keyhole slots for easy mounting
- (3) glass retaining clips

Electrical

- 120V, HPF ballasts

- Pre-wired

Labeling

- UL-CUL listed



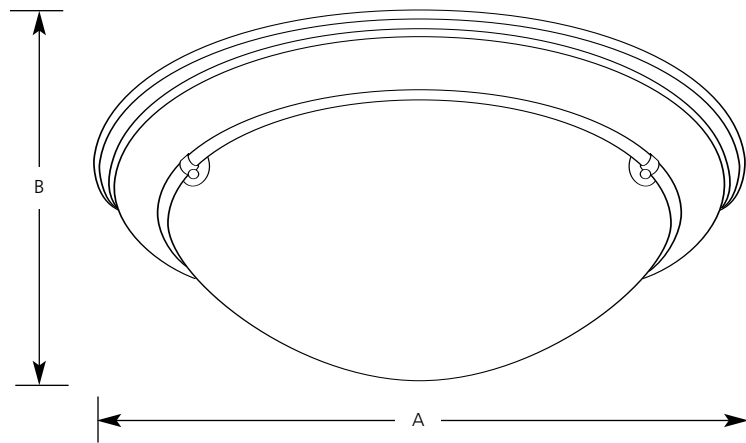
Compact Fluorescent

Eclipse Collection  
Energy Star

Close-to-Ceiling

Type \_\_\_\_\_  
-10STR -13STR  
P3564

Catalog No.	Finish		Lamping	Dimensions (Inches)	
	Polished Brass	Brushed Steel		A	B
P3564	-10STR	-13STR	3-13w Quad CFL (4 Pin)	19-3/8	5-1/2



**Specifications:**

General

- Satin white glass
- Polished brass (-10) or brushed steel (-13) plated finishes
- Units comply with Energy Star requirements
- Steel construction
- Interior of pan is white for maximum light output
- Companion foyer, semi-flush and wall sconce

Mounting

- Ceiling mount
- Fixture housing covers a standard 4" octagonal recessed outlet box
- Mounting strap for outlet box included
- Keyhole slots for easy fixture mounting
- (3) glass retaining clips

Electrical

- Pre-wired
- 120v NPF electronic ballast
- G24q-1 sockets

Labeling

- UL-CUL listed



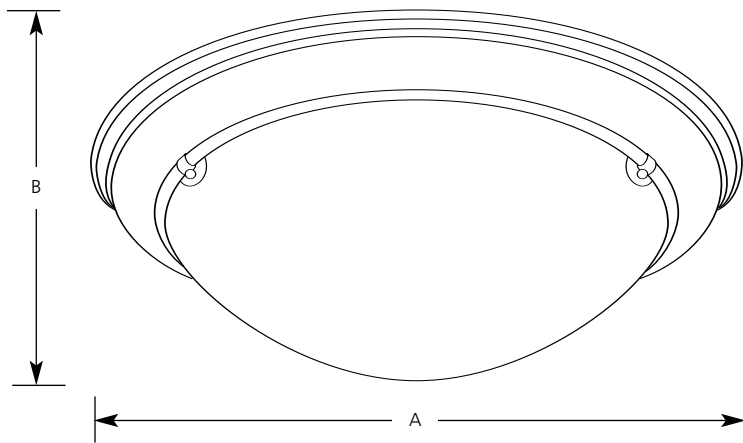
Progress Lighting  
701 Millennium Boulevard  
Greenville, SC 29607

www.progresslighting.com

Rev. 1/06

Type \_\_\_\_\_  
 -10EB -13EB  
 P3564

Catalog No.	Finish		Lamping	Socket	Dimensions (Inches)	
	Polished Brass	Brushed Steel			A	B
P3564	-10EB	-13EB	3-13w Quad CF (4 pin)	GX24q-1	19-3/8	5-1/2



**Specifications:**

General

- Flush mount design
- Steel construction with Polished Brass (-10) or Brushed Steel (-13) finish
- Satin white glass
- Companion foyer, semi-flush and wall sconce

Mounting

- Ceiling mount
- Covers outlet box
- Mounting strap for outlet box included
- Keyhole slots for easy mounting
- (3) glass retaining clips

Electrical

- 120V, HPF electronic ballast
- Pre-wired

Labeling

- UL-CUL listed

# P3564

## ECLIPSE - FLUSH MOUNT

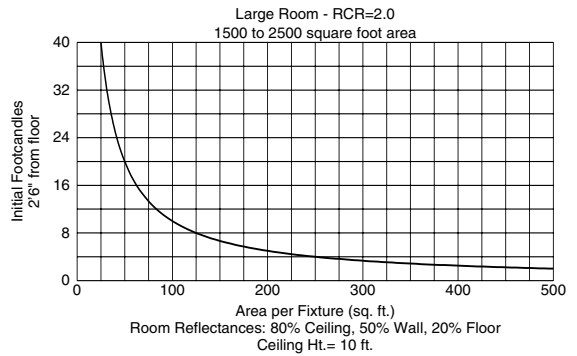
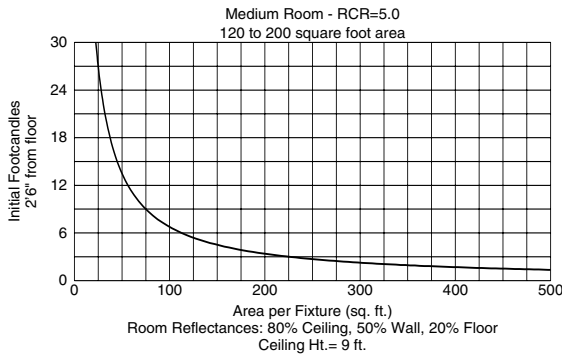
Report No. 97500

No. Lamps: 3 Type Lamp: 13W CF 2-PIN GX23-GE Total Lumens: 2700

Fixture Efficiency: 43.7%

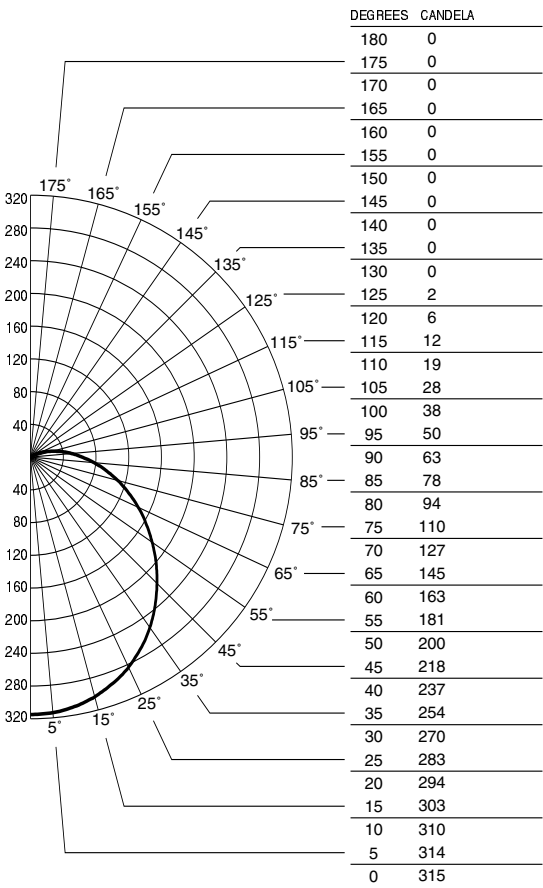
S/MH Ratio: 1.3

### Quick Calculator Charts



#### DISTRIBUTION CURVE

#### INTENSITY DATA



### Single Fixture Data

Ceiling Ht. (Ft.)	10% Values		Zero Degrees	50% Values	
	Beam Angle - 112'			Beam Angle - 65'	
	Ft.-C	Beam Dia.	Ft.-C	Ft.-C	Beam Dia.
8	1.0	16	10.4	5.2	7
10	0.6	22	5.6	2.8	10
12	0.3	28	3.5	1.7	12
14	0.2	34	2.4	1.2	15
16	0.2	40	1.7	0.9	17

Ft.-C (Footcandles) are initial and measured 2'-6" from floor

#### ZONAL CAVITY COEFFICIENTS OF UTILIZATION

Effective Floor Cavity Reflectance 0.20

RC	Effective Floor Cavity Reflectance 0.20																	
	RW																	
	70	50	30	10	70	50	30	10	50	30	10	50	30	10	50	30	10	0
0	51	51	51	51	50	50	50	50	47	47	47	44	44	44	41	41	41	40
1	46	43	41	38	44	42	39	38	39	37	36	37	35	34	34	33	32	31
2	41	37	33	30	39	36	32	30	33	31	29	31	29	27	30	28	26	25
3	37	32	28	25	36	31	27	24	29	26	24	27	25	23	26	24	22	21
4	34	28	24	21	33	27	23	20	26	22	20	24	21	19	23	20	18	17
5	31	25	21	18	30	24	20	18	23	20	17	22	19	16	20	18	16	15
6	29	22	18	15	28	22	18	15	21	17	15	20	17	14	19	16	14	13
7	26	20	16	14	25	20	16	13	19	15	13	18	15	13	17	14	12	11
8	25	19	15	12	24	18	14	12	17	14	12	16	13	11	16	13	11	10
9	23	17	13	11	22	17	13	11	16	13	10	15	12	10	14	12	10	9
10	22	16	12	10	21	15	12	10	15	12	9	14	11	9	13	11	9	8