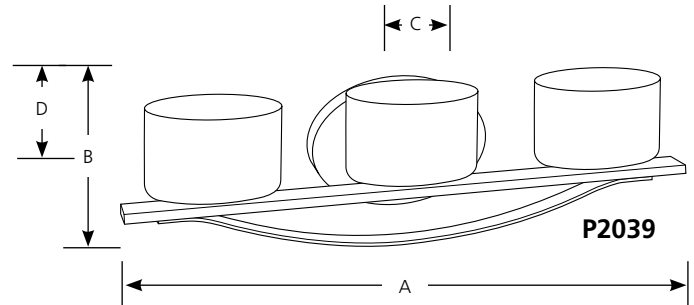
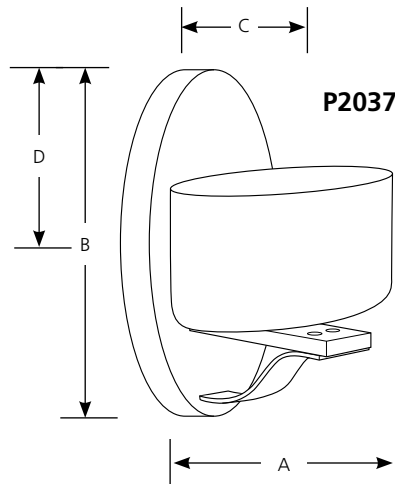


Catalog No.	Finish		Lamping	Dimensions (Inches)			
	Polished Chrome	Antique Bronze		A	B	C	D
P2037	-15WB	-20WB	1-60w Halogen (G9, 120V) (included)	6-1/8	8-1/2	4-7/8	4-1/4
P2038	-15WB	-20WB	2-60w Halogen (G9, 120V) (included)	17	5-1/2	4-3/4	2-1/4
P2039	-15WB	-20WB	3-60w Halogen (G9, 120V) (included)	26	5-1/2	4-3/4	2-1/4
P2040	-15WB	-20WB	4-60w Halogen (G9, 120V) (included)	35	5-7/8	4-3/4	2-1/4



**Specifications:**

General

- Etched opal glass shade: 6-1/16" W., 3-1/8" ht.
- Plated Polished Chrome (-15WB) finish
- Painted Antique Bronze (-20WB) finish
- 60w Halogen (G9, 120V) lamps (included)
- Steel construction
- Companion fixtures are available

Mounting

- Wall mount
- Back plate covers a standard 4" hexagonal recessed outlet box  
P2037: 4-1/2" W., 8-7/16" ht.  
P2038, P2039, P2040: 8-7/8" W., 4-1/2" ht.
- Mounting strap for outlet box included

Electrical

- Looped bipin base socket
- Pre-wired

Labeling

- cCSAus Damp location listed