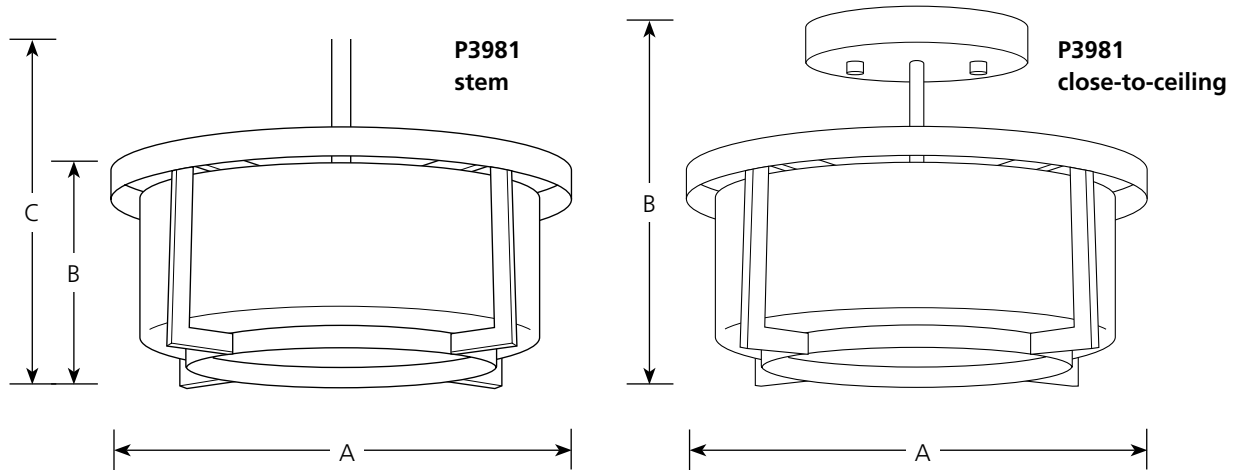


Type _____
 -09 -20

P3981	<input type="checkbox"/>	<input type="checkbox"/>
P3982	<input type="checkbox"/>	<input type="checkbox"/>
P3983	<input type="checkbox"/>	<input type="checkbox"/>

Catalog No.	Finish		Lamping	Dimensions (Inches)		
	Brushed Nickel	Antique Bronze		A	B	C
P3981	-09	-20	2 GU-24 26w	12-5/8	6	72
P3982	-09	-20	3 GU-24 26w	17	6-5/8	73
P3983	-09	-20	3 GU-24 26w	20-3/4	7-1/8	73



Specifications:

General

- Etched white glass diffuser
- Plated Brushed Nickel (-09) finish
- Painted Antique Bronze (-20) finish
- (2) 6 in., (1) 12 in. and (2) 15 in. stems included, 6 links chain included (chain can be shortened prior to installation)
- Steel construction
- 6 links of 9 gauge supplied.
- Companion Close-to-ceiling, Pendant, fixtures are available

Mounting

- Ceiling stem mounted with 6 links of chain/semi-flush mount
- Canopy covers a standard 4" hexagonal recessed outlet box
- Mounting strap for outlet box included

Electrical

- GU24 base sockets
- 12 feet of wire supplied
- Pre-wired

Labeling

- cCSAus Dry location listed