



Incandescent

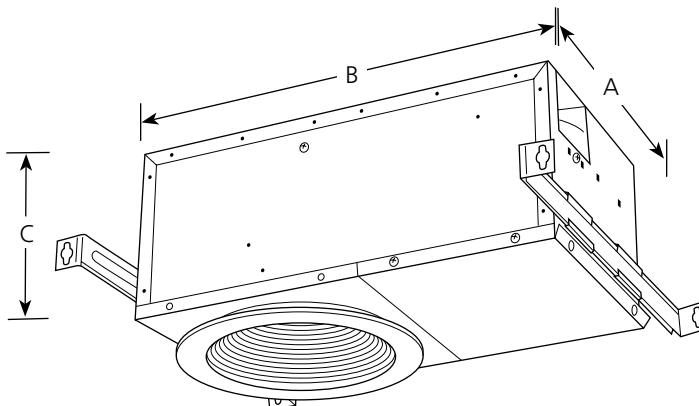
70 CFM Bath Fan/Light

Bath Fan

Type _____
-30
PV009

Catalog No.	Finish	Lamping	Capacity	Sones	Volts	Amps	Dimensions (Inches)		
							A	B	C
PV009	-30	1(m) 75w	70 CFM	3.5	120v	1.8a	7-7/8	14	5-3/4

Ceiling opening 6"



Specifications:

Trim

- One piece aluminum baffle
- Painted finish
- Spring retention for snug fit

Housing

- Mounts to ceiling joists, or in suspended ceilings
- Galvanized steel
- 26 gage
- Mounting brackets with holes for ceiling wires
- Removable wiring cover for easy connections
- Internal wiring plate allows either top or side hole for conduit or BX fitter
- No KO's to remove
- Tapered sleeve polymeric 4" round duct fitting for positive connection
- Quiet polymeric damper to prevent cold backdrafts with no metallic clatter

Motor

- 120 volt, 1.15 amp, permanently lubricated
- Plug in for ease of servicing
- Snaps in or out for ease of cleaning and servicing – no screws
- Specially designed polymeric blower wheel

Lamping

- One 75 watt lamp
- Medium based socket

Labeling

- cCSAus damp listed.

- IC rated
- Can be used over bathtubs and showers when connected to a GFCI protected branch circuit with PAR30 or PAR30LN type lamps.

Note: Product performance is rated at 0.1 in. static pressure, based on tests conducted in AMCA's state of the art test laboratory. Sones are a measure of humanly perceived loudness based on laboratory tests.

Progress Lighting
701 Millennium Blvd.
Greenville, South Carolina
29607

www.progresslighting.com

Rev. 7/09