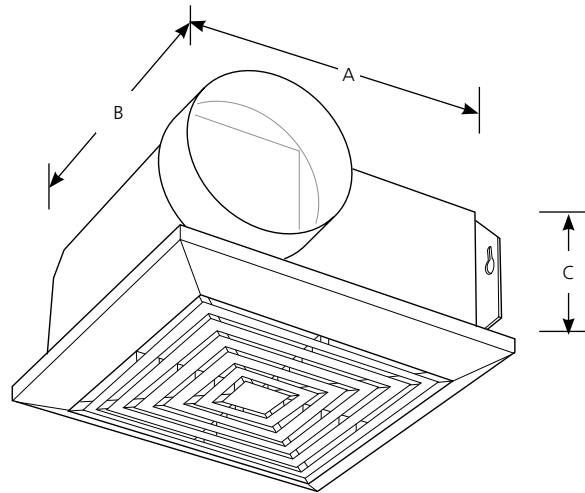


Type \_\_\_\_\_  
 -30  
 PV001

Catalog No.	Finish	Capacity	Sones	Volts	Amps	Housing Dimensions (Inches)		
	White					A	B	C
PV001	-30	50 CFM	4.0	120v	0.70a	7-3/4	6-3/4	4



**Specifications:**

Trim/Grille

- One piece white polymeric plastic
- Torsion spring mounting – no tools needed
- Dimensions – 8-1/2" square, 7/8" deep

Housing

- Mounts to ceiling or wall joists
- Galvanized steel
- 25 gauge
- Double strength mounting flanges with keyhole slots
- Removable wiring cover for easy connections
- Unique internal flap exposes either top or side hole for conduit or BX fitter
- No KO's to remove
- Polymeric 4" round duct fitting for positive connection
- Quiet polymeric damper to prevent cold backdrafts with no metallic clatter

Motor

- 120 volt, 0.70 amp, permanently lubricated
- Plug in for ease of servicing
- Snaps in or out for ease of cleaning and servicing – no screws
- Specially designed polymeric blower wheel

Labeling

- cCSAus listed
- Can be used over bathtubs and showers when connected to a GFCI protected branch circuit
- IC rated

Note: Product performance is rated at 0.1 in. static pressure, based on tests conducted in AMCA's state of the art test laboratory. Sones are a measure of humanly perceived loudness based on laboratory tests.