

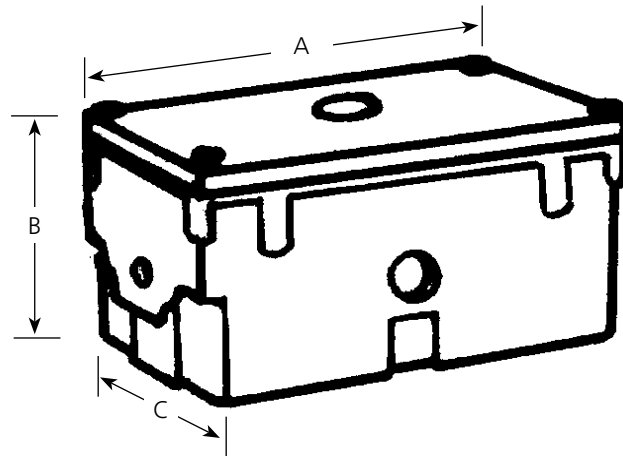
Type _____

-01

P8670

Finish

Catalog No.	Wattage	Dimensions (Inches)			
		A	B	C	
P8670	-01	75watts	8	5-1/8	3-7/8



Specifications:

General

- Used where 12 volt fixtures will be mounted far from a primary source of power
- 120 volt feed prevents line loss of a total 12 volt system
- In-ground unit is totally concealed

Construction

- Cast aluminum box with gasketed cast aluminum cover
- 1/2" NPS threaded holes and plugs in housing for conduit fittings
- 1/2" NPS threaded hole in top for fixture mounting

Electrical

- Line voltage (120v) to low voltage (12v) transformer
- Approved wiring compartment
- Standard canopy designed for sloped ceilings up to 45 degrees (12:12 ceiling pitch) using downrod supplied or accessory downrods
- Must use approved fittings and conduit for in ground use

Labeling

- UL-CUL wet location listed