



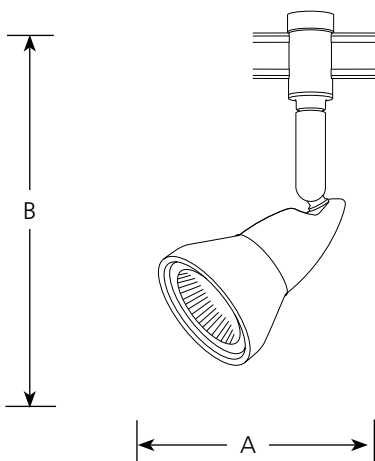
Incandescent  
Halogen

**Illuma-Flex® Mini Pendant**  
Glass Shade Low Voltage

**Track**

	Type									
	-09A	-174A	-09B	-174B	-09R	-174R	-09W	-174W	-174PA	
P6124	<input type="checkbox"/>	<input type="checkbox"/>	<input type="checkbox"/>	<input type="checkbox"/>	<input type="checkbox"/>	<input type="checkbox"/>	<input type="checkbox"/>	<input type="checkbox"/>	<input type="checkbox"/>	<input type="checkbox"/>

Catalog No.	Finish		Glass Shade	Lamping	Dimensions (Inches)	
	Brushed Nickel	Urban Bronze			A	B
P6124	-09A	-174A	Amber	12v 50w MR16 (Incl)	2-3/8	6
P6124	-09B	-174B	Blue	12v 50w MR16 (Incl)	2-3/8	6
P6124	-09R	-174R	Red	12v 50w MR16 (Incl)	2-3/8	6
P6124	-09W	-174W	White	12v 50w MR16 (Incl)	2-3/8	6
P6124	NA	-174PA	Patterned Amber	12v 50w MR16 (Incl)	2-3/8	6



**Specifications:**

General

- Flex track head with colored glass shade
- Plated Brushed Nickel (-09) or Urban Bronze (-174) finishes
- MR16 lamp included
- Mounts anywhere along Illuma-Flex track sections, or on monopoint

Track Head Support

- Single stem mounting
- 358 degree rotation
- 0 to 90 degree vertical swing

Electrical

- Attachment to 12 volt Illuma-Flex track  
- Remove top cap, slide onto track from below, replace cap and tighten to clamp unit to track
- Lamp (included) has a GU5.3 bi-pin base
- Attachment to monopoint - use P8777 converting adapter included with fixture

Labeling

- UL-CUL listed

Progress Lighting  
701 Millennium Blvd.  
Greenville, South Carolina  
29607

www.progresslighting.com

Rev. 5/08