



Compact Fluorescent  
Trim

**6" Open Pro-Optic™ Alzak**  
1 Horizontal Triple Tube Lamp  
Non-IC

**Recessed**

Type \_\_\_\_\_

-21A    -22A  
P8015       

Catalog No.	Finish		Dimensions (Inches)	
	Clear Alzak	Gold Alzak	A	B
P8015	-21A	-22A	7	5-3/4

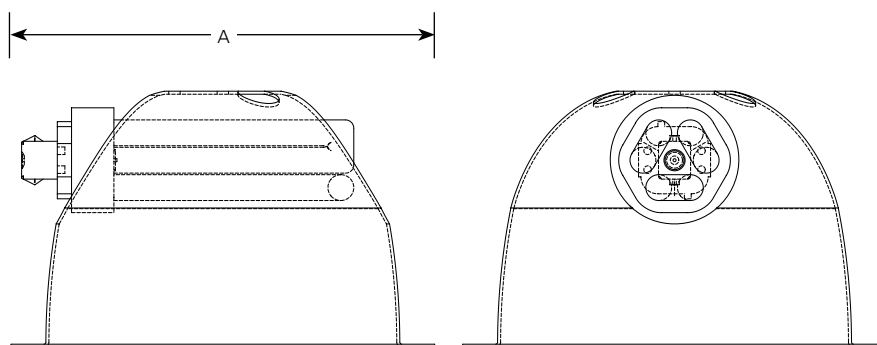
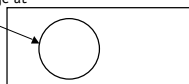
Maximum Ceiling Thickness = 1-1/4"

Ceiling Opening = 6-1/4"  
(see guide for retrofit)

**P162H**

HOUSING COMPATIBILITY GUIDE		
ORDERING GUIDELINES	6 INCH OPENING RANGE	
	MIN	MAX
REQUIRES SD HOUSING OPTION	5-15/16	6-1/8
ALL STANDARD HOUSINGS	6-1/8	6-1/2
ONLY P8030 SERIES TRIMS AVAILABLE: 'WF' OPTION	6-1/2	6-7/8

Dimensions shown are for the diameter of the frame flange at its narrowest point



**Lamp Wattage**

**Housing**

New Construction	Retrofit	IC	Non-IC
P6132-EB	P162H-EB	N/A	1-26 or 32w Triple tube

**Specifications:**

Flange

- White painted metal flange

Reflector

- All aluminum construction
- One piece construction with integral flange
- Alzak anodized finish
- No light leaks around trim flange
- Socket box mounts to reflector for optimum performance and consistent lamp position
- Reflector retention accomplished by 3 spring clips located in aperture of housing

- Single reflector accommodates both standard and internal emergency housings (new construction only)

Labeling

- cCSAus listed for damp location
- Non-IC rated

Options

- For wide flange retrofits (see guide), add 'WF' to end of SKU number. Available with P8015 series only.

Progress Lighting  
701 Millennium Blvd.  
Greenville, South Carolina  
29607

www.progresslighting.com

Rev. 10/10

