



Compact Fluorescent

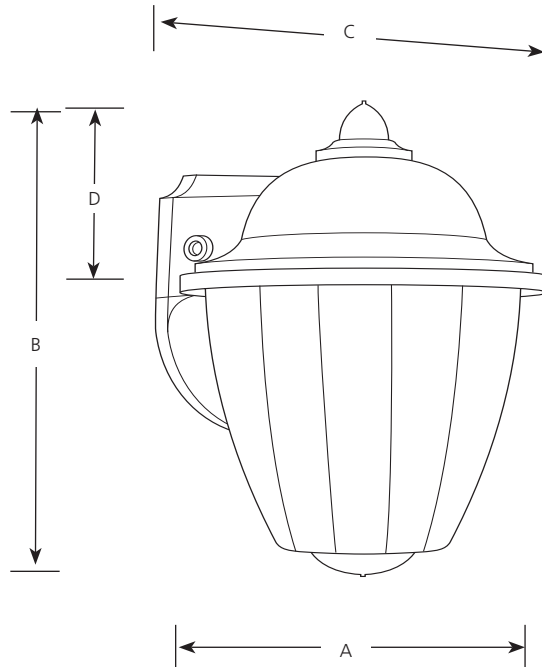
Non-Metallic
Energy Star

Outdoor

Type _____

-30EB -31EB
P5881

Catalog No.	Finish			Dimensions (Inches)			
	White	Black	Lamping	A	B	C	D
P5881	-30EB	-31EB	1-4 pin 18 Quad CFL	6	8-7/8	6-7/8	4-1/8



Specifications:

General

- White acrylic acorn style diffuser
- Diffuser twists out for lamp replacement
- Polypropylene construction
- White (-30) or black (-31) material
- Energy Star certified

Electrical

- Unit has a 4 pin GX24q-2 socket.
- 120v NPF electronic ballast
- Unit will start down to 0 degrees F
- Integral photocell turns unit off during daytime
- Pre-wired

Mounting

- Wall mount outdoor
- Covers a standard 4" recessed octagonal recessed outlet box
- Mounting strap included

Labeling

- UL-CUL wet location listed



Progress Lighting
701 Millennium Blvd.
Greenville, South Carolina
29607

www.progresslighting.com

Rev. 11/07