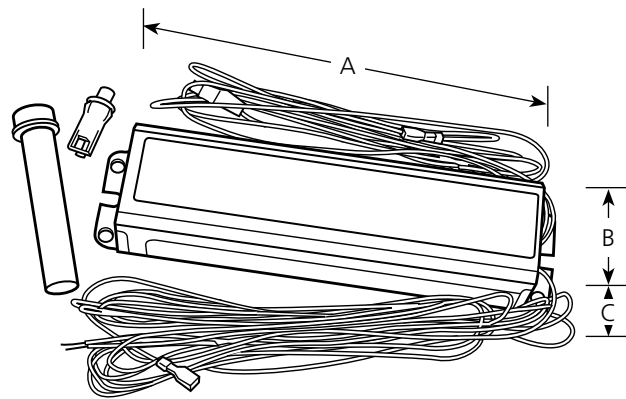


Type _____
-01
P8698

Catalog No.		Dimensions (Inches)		
		A	B	C
P8698	-01	9-1/2	2-3/8	1-1/2



Specifications:

General

- Emergency fluorescent ballast accessory for remote mounting
- Operates 2' - 4' single bi-pin T8 and T12 fluorescent lamps. 17W to 40W
- Emergency Operating Time: 90 mins.
- Initial Illumination: (1) lamp up to 700 Lumens

Mounting

- Can be mounted in wireway or on top of the fixture. Includes test switch and charge indicator accessory kit.

Electrical

- Operating temp: 0° to 55° C
- Input Voltage: 120/277V, 60Hz

Labeling

- UL-CUL listed