



Linear Fluorescent

Soft Clouds
Electronic Ballast

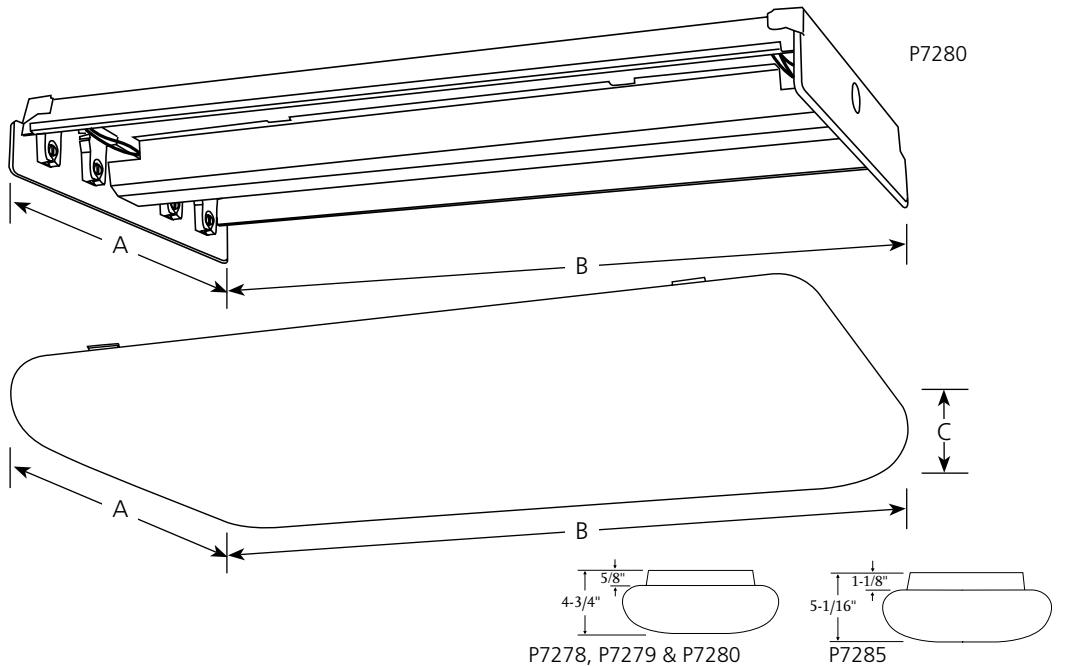
Modular Fluorescent

Type _____

-60EB

- P7278
- P7279
- P7280
- P7285

Catalog No.	Finish		Dimensions (Inches)	
	White	Lamping	A	B
	P7278	-60EB	4-F17 T8	18
P7279	-60EB	2-F32 T8	12	52
P7280	-60EB	4-F32 T8	18	52
P7285	-60EB	4-FB32 T8	27-1/4	30-3/4



Specifications:

General

- White acrylic soft cloud diffuser (included)
- Lift and shift removal for relamping and servicing
- White steel chassis
- Sockets metal backed
- Easily removable cover for ballast access
- Utilizes T8 lamps for electronic ballasts

Mounting

- Ceiling mounted
- Covers any outlet box

Electrical

- 120V HPF electronic ballast (P7278 is NPF)
- Bi-pin twist in sockets - "U" lamp are snap in

Labeling

- UL-CUL listed
- Energy Star certified



Progress Lighting
701 Millennium Blvd.
Greenville, South Carolina
29607

www.progresslighting.com

Rev. 2/09

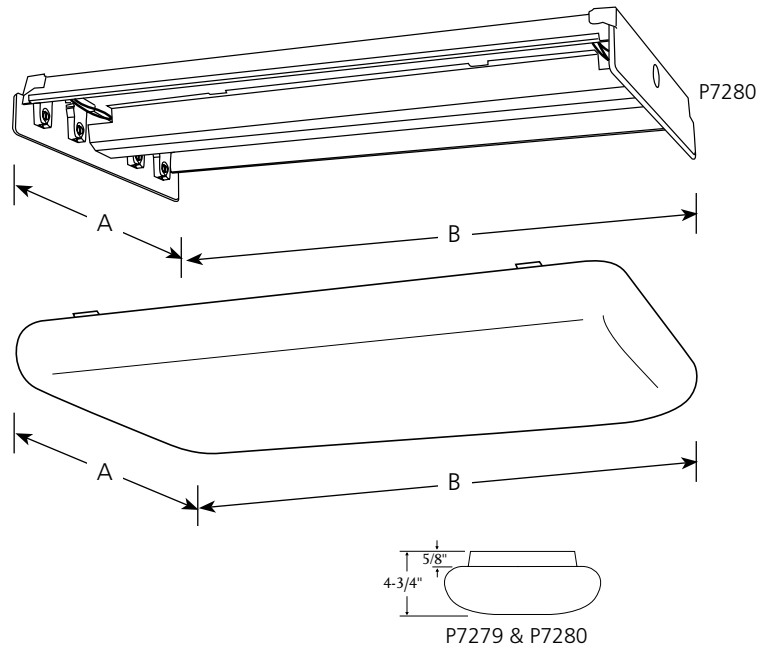
Type _____

-60ES

P7279

P7280

Catalog No.	Finish		Dimensions (Inches)	
	White	Lamping	A	B
P7279	-60ES	2-F34 T12	12	52
P7280	-60ES	4-F34 T12	18	52



Specifications:

General

- White acrylic soft cloud diffuser (included)
- White steel chassis
- Sockets metal backed
- Easily removable cover for ballast access
- Lift and shift removal for relamping and servicing
- Regress reveal gives floating effect
- Recommend energy saving T12 lamps

Mounting

- Ceiling mounted
- Covers any outlet box

Electrical

- 120V HPF electronic ballast
- Bi-pin twist in sockets - "U" lamp are snap in

Labeling

- UL-CUL listed

P7280-60ES

SOFT CLOUD

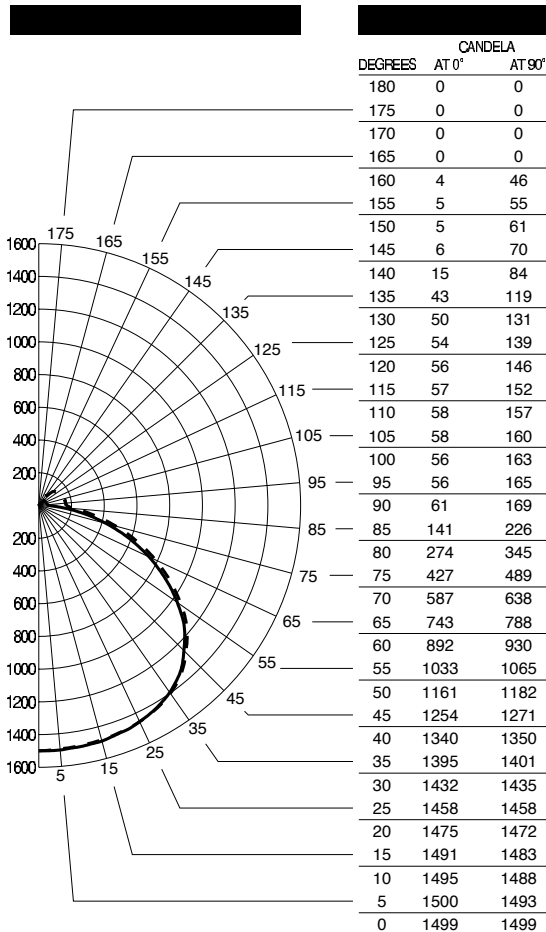
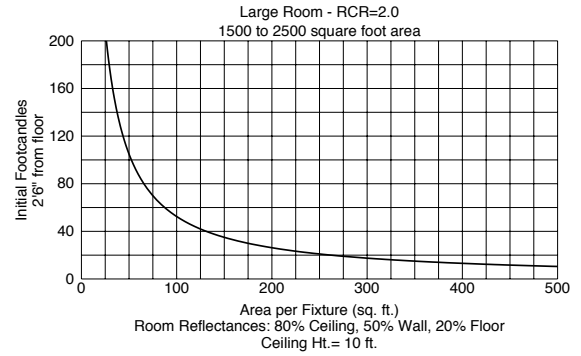
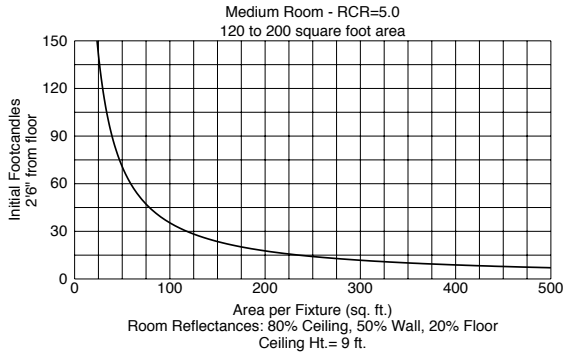
Report No. 2000043

No. Lamps: 4 Type Lamp: F34T12 GE Total Lumens: 11400

Fixture Efficiency: 53.1%

S/MH Ratio: 1.4 (0) 1.4 (90)

Quick Calculator Charts



Single Fixture Data

Ceiling Ht.(Ft.)	10% Values		Zero Degrees	50% Values	
	Beam Angle - 115			Beam Angle - 71	
	Ft.-C	Beam Dia.	Ft.-C	Ft.-C	Beam Dia.
8	5.0	17	49.6	24.8	8
10	2.7	24	26.6	13.3	11
12	1.7	30	16.6	8.3	14
14	1.1	36	11.3	5.7	16
16	0.8	43	8.2	4.1	19

Ft.-C (Footcandles) are initial and measured 2'-6" from floor

RC	Effective Floor Cavity Reflectance 0.20																	
	80				70				50				10				0	
	RW	70	50	30	10	70	50	30	10	50	30	10	50	30	10	0		
0	62	62	62	62	60	60	60	60	56	56	56	53	53	53	49	49	49	48
1	56	53	51	48	54	51	49	47	48	46	45	45	44	42	42	41	40	39
2	50	46	42	39	49	44	41	38	42	39	36	39	37	34	37	35	33	31
3	46	40	35	32	44	39	34	31	36	33	30	34	31	29	32	30	27	26
4	42	35	30	26	40	34	29	26	32	28	25	30	27	24	28	26	23	22
5	38	31	26	22	37	30	26	22	28	24	21	27	23	21	25	22	20	19
6	35	28	23	19	34	27	22	19	25	21	18	24	21	18	23	20	17	16
7	32	25	20	17	31	24	20	17	23	19	16	22	18	16	21	18	15	14
8	30	23	18	15	29	22	18	15	21	17	14	20	16	14	19	16	14	12
9	28	21	16	13	27	20	16	13	19	15	13	18	15	12	17	14	12	11
10	26	19	15	12	25	19	15	12	18	14	12	17	14	11	16	13	11	10