

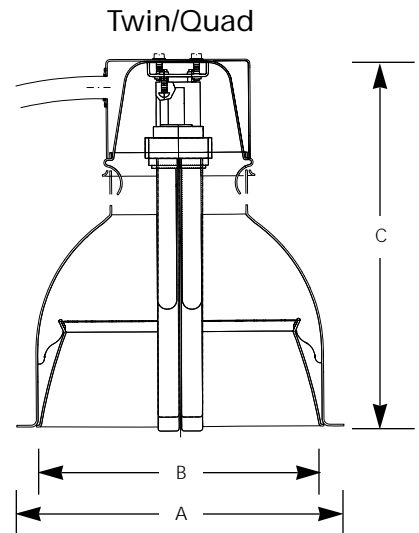
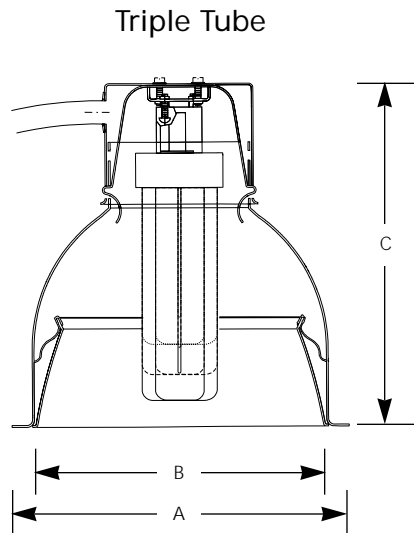


Compact Fluorescent Trim **6" Cone**  
Vertical Lamp  
Non-IC

**Recessed**

Type	_____		
	-21	-22	-23
P6692	<input type="checkbox"/>	<input type="checkbox"/>	<input type="checkbox"/>

Catalog No.	Finish			Dimensions (Inches)		
	Clear Alzak®	Gold Alzak®	Black Alzak®	A	B	C
P6692	-21	-22	-23	7-7/16	6-3/16	8-1/4



**Lamp Wattage**

Housing	IC	Non-IC
P13	N/A	13 Twin/Quad
P26	N/A	26 Quad
P632-EB	N/A	26, 32, or 42 Triple Tube

**Specifications:**

Flange

- Bright white powder coated flange
- No light leaks around trim flange
- Flange covers irregular ceiling openings

Trim

- One piece aluminum construction
- Designed for use with 13w Twin, 13 or 26w Quad and 26, 32, or 42w Triple tube CF lamps
- Socket cup mounts to trim for optimum performance and consistent lamp position
- Trim allows for two socket cup positions to adjust spread of light output

Options

- Clear Alzak - specify P6692-21
- Gold Alzak - specify P6692-22
- Black Alzak - Specify P6692-23

Labels

- UL-CUL damp location listed
- Meets Energy star requirements when used with P632-EB housing



Progress Lighting  
Post Office Box 5704  
Spartanburg, South Carolina  
29304-5704

www.progresslighting.com





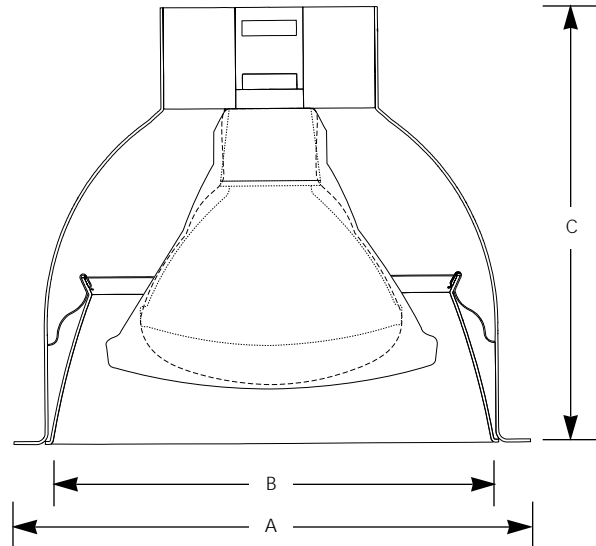
Incandescent Trim

6" Cone  
Non-IC

Recessed

Type	_____		
	-21	-22	-23
P6692	<input type="checkbox"/>	<input type="checkbox"/>	<input type="checkbox"/>

Catalog No.	Finish			Dimensions (Inches)		
	Clear Alzak®	Gold Alzak®	Black Alzak®	A	B	C
P6692	-21	-22	-23	7-7/16	6-3/16	7-1/2, 8-1/4 (BR40)



**Lamp Wattage**

Housing	IC	Non-IC
P11TG	N/A	75 PAR30, 85BR30, 150PAR38, 120BR40, 150A21
P111TG	N/A	75 PAR30, 85BR30, 150PAR38, 120BR40, 150A21

**Specifications:**

Flange

- Bright white powder coated flange
- No light leaks around trim flange
- Flange covers irregular ceiling openings

Ball assembly

- One piece aluminum construction
- Designed for use with 75w PAR30, 85w BR30, 150w PAR38, 120w BR40 or 150w A21 lamps
- Socket cup mounts to trim for optimum performance and consistent lamp positions
- Trim allows for two socket cup positions to adjust spread of light output

Options

- Clear Alzak - specify P6692-21
- Gold Alzak - specify P6692-22
- Black Alzak - specify P6692-23

Labels

- UL-CUL damp location listed

Photometrics

- Refer to Lamp Application Data for:
  - BR30 & PAR30
  - PAR38 & BR40

Progress Lighting  
Post Office Box 5704  
Spartanburg, South Carolina  
29304-5704

www.progresslighting.com