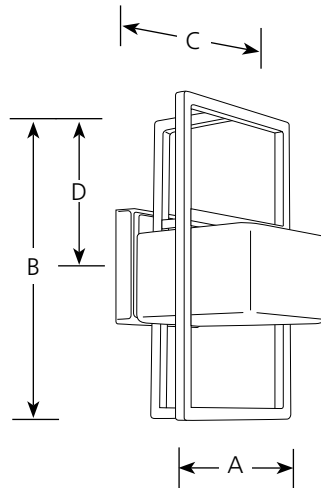


Type \_\_\_\_\_  
 -09WB  
 P7027

Catalog No.	Finish	Lamping	Dimensions (Inches)		
	Brushed Nickel		A	B	C
P7027	-09WB	1 Halogen (G9, 120V) 60w (included)	7	13	7-1/2



**Specifications:**

General

- Opal etched glass shade: 5-7/8" sq., 3-5/8" ht.
- Brushed Nickel -09 plated finish
- Steel construction
- One 60w Halogen (G9, 120V) lamp (included)
- Companion Bath and Vanity, Chain hung lantern, Close-to-ceiling, Hall and Foyer, Pendant, Post top lantern, Sconce, Wall lantern, fixtures are available

Mounting

- Wall mount
- Back plate covers a standard 4" hexagonal recessed outlet box
- Mounting strap for outlet box included

Electrical

- G9 base sockets
- Pre-wired

Labeling

- cCSAus Damp location listed