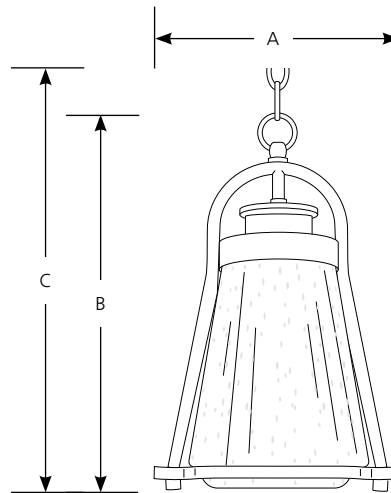


Type _____

-20

P6505

Catalog No.	Finish		Lamping	Dimensions (Inches)		
	Antique Bronze			A	B	C
P6505	-20		1 (m) 100w	9-1/2	13	87



Specifications:

General

- Clear seeded glass shade exterior:
- Etched opal glass cylinder inside:
- Antique Bronze painted or finish acid
- Steel construction
- Six feet of 9 gauge chain supplied.
- Companion fixtures are available

Electrical

- Medium base ceramic sockets
- 10 feet of wire supplied

Labeling

- cCSAus Damp location listed

Mounting

- Ceiling chain mount
- Canopy covers a standard 4" hexagonal recessed outlet box
- Mounting strap for outlet box included