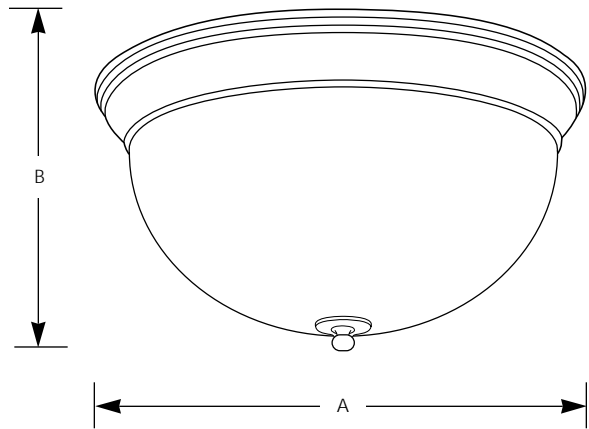


Type	_____	
	-10	-30
P3652	<input type="checkbox"/>	<input type="checkbox"/>
P3653	<input type="checkbox"/>	<input type="checkbox"/>
P3654	<input type="checkbox"/>	<input type="checkbox"/>

Catalog No.	Finish		Lamping	Dimensions (Inches)	
	Polished Brass	White		A	B
P3652	-10	-30	2 (m) 60w	10-1/2	6-1/2
P3653	-10	-30	2 (m) 75w	12-1/2	7-1/4
P3654	-10	-30	3 (m) 60w	14-1/2	7-3/4



Specifications:

General

- Steel construction
- Plated Polished Brass (-10) or White painted (-30) finishes
- Steel pan
- White glass
- Glass has center lock up for maintenance
- Fiberglass insulated

Electrical

- Requires 90-degree supply wire connections
- Porcelain medium based sockets
- Pre-wired

Labeling

- UL-CUL listed

Mounting

- Ceiling mount
- Covers outlet box
- Mounting strap for outlet box included
- Keyhole slots for easy mounting

P3654

WHITE GLASS - FLUSH MOUNT

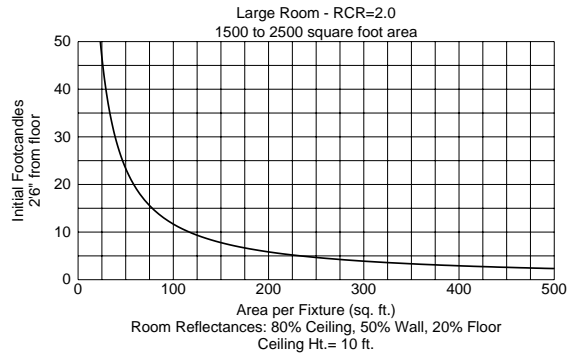
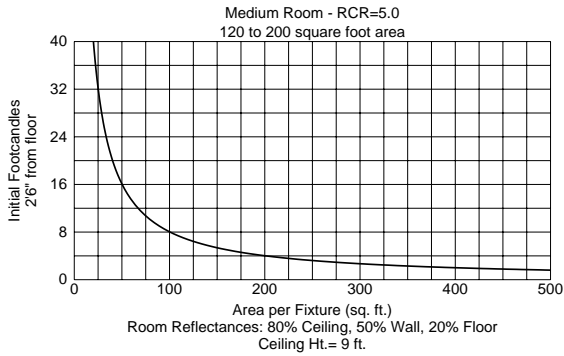
Report No. 2000032

No. Lamps: 3 Type Lamp: 60A19 GE Total Lumens: 2595

Fixture Efficiency: 53.1%

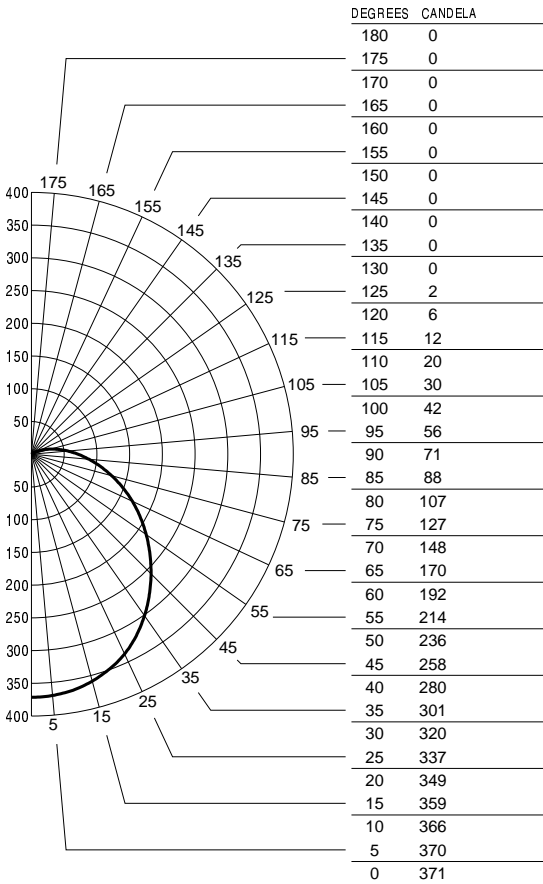
S/MH Ratio: 1.3

Quick Calculator Charts



DISTRIBUTION CURVE

INTENSITY DATA



Single Fixture Data

Ceiling Ht.(Ft.)	10% Values		Zero Degrees	50% Values	
	Beam Angle - 112			Beam Angle - 65	
	Ft.-C	Beam Dia.		Ft.-C	Beam Dia.
8	1.2	16	12.3	6.1	7
10	0.7	22	6.6	3.3	10
12	0.4	28	4.1	2.1	12
14	0.3	34	2.8	1.4	15
16	0.2	40	2.0	1.0	17

Ft.-C (Footcandles) are initial and measured 2'-6" from floor

ZONAL CAVITY COEFFICIENTS OF UTILIZATION

Effective Floor Cavity Reflectance 0.20

RC	Effective Floor Cavity Reflectance 0.20																							
	80				70				50				30				10				0			
RW	70	50	30	10	70	50	30	10	50	30	10	50	30	10	50	30	10	50	30	10	50	30	10	0
0	62	62	62	62	60	60	60	60	57	57	57	53	53	53	50	50	50	49	49	49	49	49	49	49
1	55	52	49	47	53	51	48	46	48	45	44	45	43	41	42	41	39	38	38	38	38	38	38	38
2	50	45	41	37	48	43	40	36	41	38	35	38	36	33	36	34	32	31	31	31	31	31	31	31
3	45	39	34	30	43	38	33	30	36	32	29	34	30	28	32	29	27	25	25	25	25	25	25	25
4	41	34	29	25	40	33	29	25	31	27	24	30	26	23	28	25	23	21	21	21	21	21	21	21
5	38	31	25	22	36	30	25	21	28	24	21	27	23	20	25	22	20	18	18	18	18	18	18	18
6	35	27	22	19	34	27	22	19	25	21	18	24	20	18	23	20	17	16	16	16	16	16	16	16
7	32	25	20	17	31	24	20	16	23	19	16	22	18	15	21	18	15	14	14	14	14	14	14	14
8	30	23	18	15	29	22	18	14	21	17	14	20	16	14	19	16	13	12	12	12	12	12	12	12
9	28	21	16	13	27	20	16	13	19	15	13	18	15	12	18	14	12	11	11	11	11	11	11	11
10	26	19	15	12	25	19	14	12	18	14	11	17	14	11	16	13	11	10	10	10	10	10	10	10