



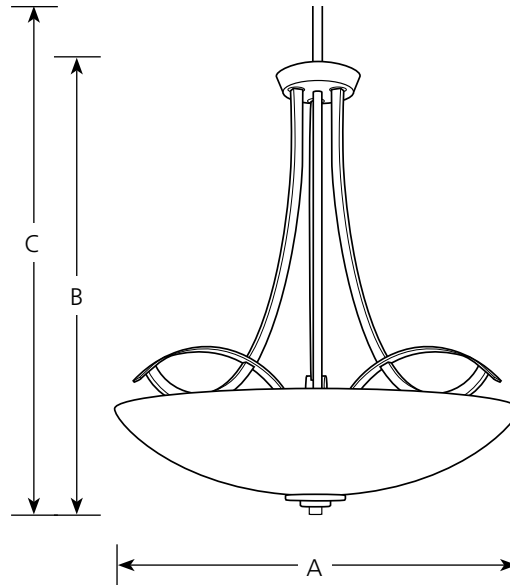
Incandescent

Merge

Pendants

Catalog No.	Finish		Lamping	Dimensions (Inches)		
	Antique Bronze	Antique Bronze		A	B	C
P3446	-20	-20	3 (m) 100w	19-3/4	22-5/8	88-5/8

Type	-20	-20
P3446	<input type="checkbox"/>	<input type="checkbox"/>



Specifications:

General

- Etched Outside, Painted White Inside glass bowl (-20)
- Painted Antique Bronze (-20) finish
- Steel construction
- One 6", four 12" lengths of stem included
- 6 Links of 9 gauge chain included
- Companion Chandelier, Pendant, fixtures are available

Electrical

- A19 base ceramic sockets
- 15 feet of wire supplied
- Pre-wired

Labeling

- UL-CUL Dry location listed

Mounting

- Ceiling stem mounted with 6 links of chain mount
- Canopy covers a standard 4" hexagonal recessed outlet box
- Mounting strap for outlet box included

Progress Lighting
 701 Millennium Blvd.
 Greenville, South Carolina
 29607

www.progresslighting.com

Rev. 03/15