



Incandescent

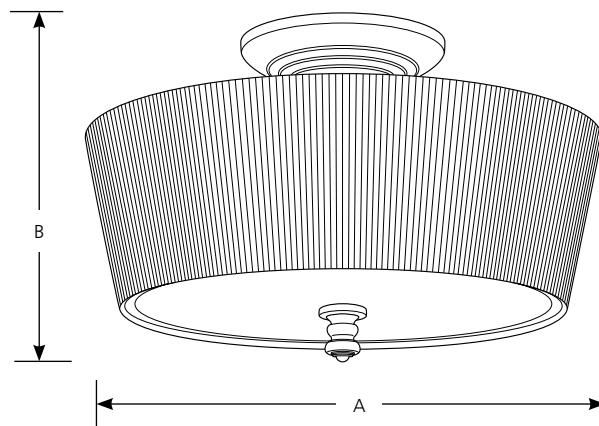
Meeting Street

Close-To-Ceiling

Type _____
-80 -102

P2827

Catalog No.	Finish		Lamping	Dimensions (Inches)	
	Forged Black	Roasted Java		A	B
P2827	-80	-102	2 (m) 100w	14	9-1/8



Specifications:

General

- Ivory pleated linen shade: 14" dia., 4-7/16" ht.
- Steel construction
- Painted Forged Black (-80), Roasted Java (-102) finishes
- Companion fixtures are available

Electrical

- Medium base ceramic sockets
- Pre-wired

Labeling

- cCSAus Damp location listed

Mounting

- Ceiling semi-flush mount
- Canopy covers a standard 4" hexagonal recessed outlet box
- Mounting strap for outlet box included

Progress Lighting
701 Millennium Blvd.
Greenville, South Carolina
29607

www.progresslighting.com

Rev. 09/13