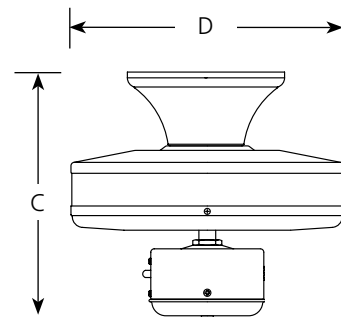
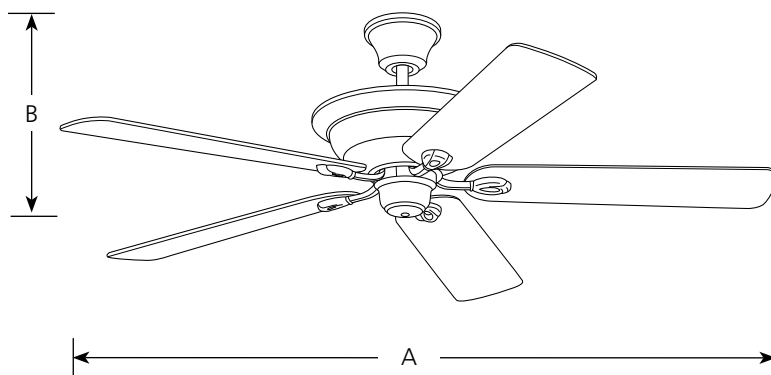


Type _____

-09 -20 -80

P2532

Catalog No	Finish			Dimensions (Inches)			
	Brushed Nickel	Antique Bronze	Forged Black	A	B	C	D
P2532	-09	-20	-80	60	16-5/8	8-1/4	4-3/8
Blades							
Side 1	Natural Cherry	Medium Cherry	Dark Cherry				
Side 2	Cherry	Classic Walnut	Dark Walnut				



Specifications:

General

- 30 year limited warranty
- Uplight (above the fan blades) has four 7w candelabra based lamps (included)

Blades

- Five blades
- Reversible
- 12 degree pitch
- Sure Connect blade attachment system
 - Screws preinstalled in blades for attachment to motor arms
 - Special guides align blades to motor arms
 - Preinstalled rubber isolation pads minimize vibration noise
- Plywood blade construction

Motor

- Triple capacitor speed control; manual reverse control
- 188mm dia x 20mm high
- Pull chain on brushed nickel (-09) is chrome with a white fob, forged black (-80) is antique brass with a black fob, and on antique bronze (-20) is antique brass chain with a walnut fob

Mounting

- Dual ceiling mounting on downrod, or close to ceiling
- Quick-Install canopy

- Installs without removing J-box screws
- Holds fan for wiring during installation
- Dual-mount for downrod or close to ceiling mounting
- A 1-1/16" x 6-3/8" downrod is included. Longer accessory downrods can be ordered separately
- Standard canopy designed for sloped ceilings up to 45 degrees (12:12) ceiling pitch) using downrod supplied or accessory downrods
- Oversized, textured die cast hanger ball reduces noise and wobble vibrations
- Canopy covers standard recessed 4" octagonal outlet box. Note: An outlet box assembly designed for fan installation is required (not included)

- Mounting hardware is included

Electrical

- 80" lead wires included
- Pre-wired

High Speed Energy Information

- Airflow—6,939 cfm
- Energy consumption—80 watts (excluding uplights)
- Airflow efficiency—86 cfm/watt

Labeling

- UL/CUL listed

Progress Lighting
701 Millennium Blvd.
Greenville, South Carolina
29607